

UNILIFT KP



SUBMERSIBLE STAINLESS STEEL DRAINAGE PUMP

WATER SOURCE



Clean Water



Storm/
Grey Water

APPLICATION



Clean Water
Drainage



Storm/Grey
Water Handling

- **Highly corrosion resistant stainless steel construction inside and out**
- **Various control options available**, including vertical float option for confined drainage pits
- Suitable for **permanent installation** or as a **light weight portable pump**
- **Permanent installation** or **portable pump**



UNILIFT KP without
float switch

UNILIFT KP with
vertical float switch

UNILIFT KP with
standard float switch

MAXIMUM PARTICLE SIZE

It's a good idea to check your water source to make sure it doesn't contain dirt, fibres, plant or other material larger than **10 mm**.

If it does, you might need a drainage pump capable of handling larger particle sizes like the one's below.

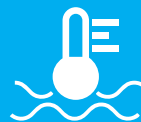


CONTROL & PROTECTION FEATURES



FLOAT SWITCH

External float that either turns your pump on or off based on the water level - this prevents overflowing and dry running.



SELF-COOLING MOTOR

The pump is cooled by water being pumped, protecting it from overheating, even when only partially submerged.

FIND SPACE FOR YOUR PUMP

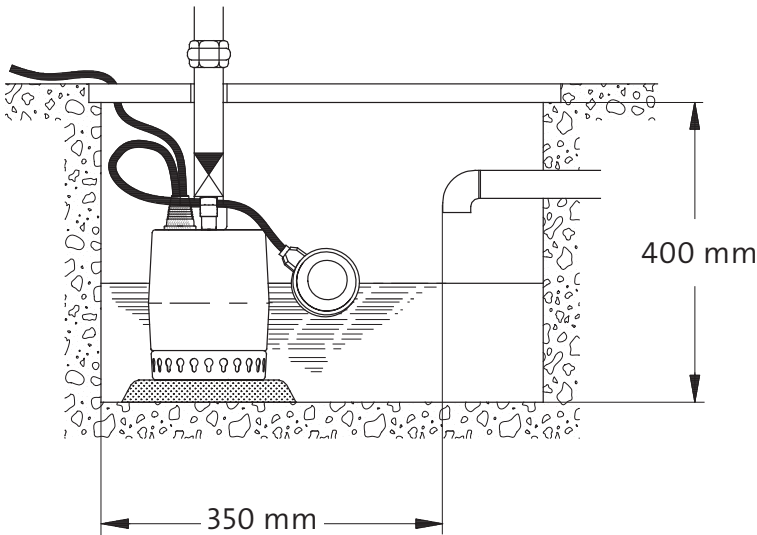
If you are planning to install the UNILIFT KP in a drainage pit and will rely on the float switch to automatically start and stop your pump, a minimum amount of space in the pit is required for free movement of the float.

If you have a narrow or confined pit, a vertical float version may be better suited.

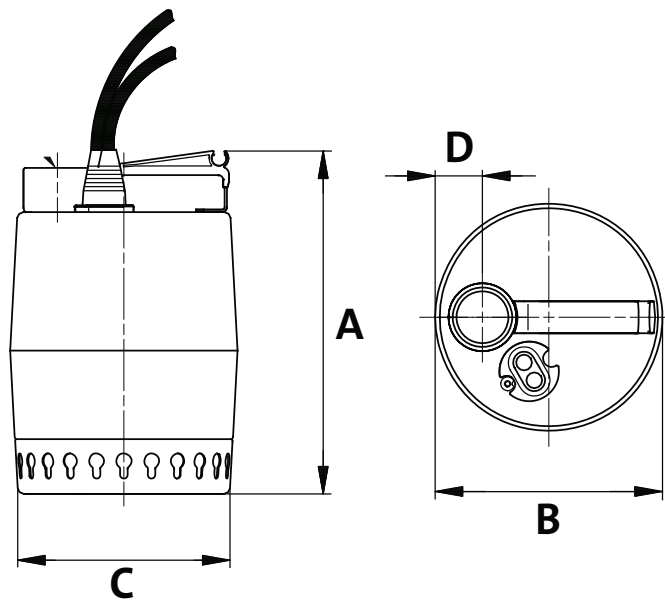
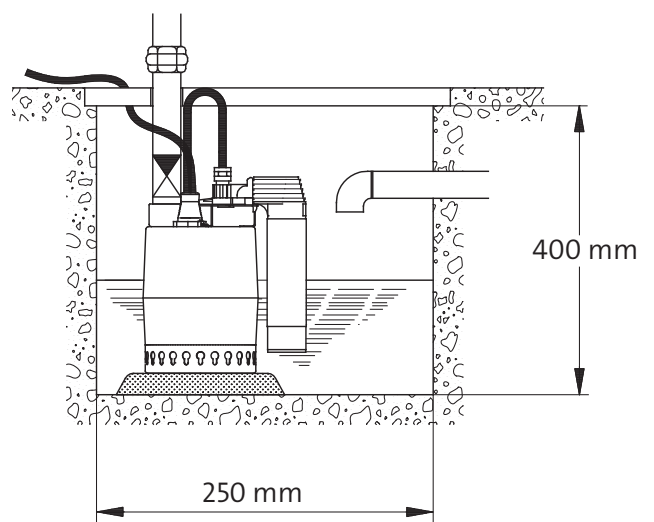
See below pit dimensions:

See below pit dimensions:

NORMAL FLOAT



VERTICAL FLOAT



Model	Connection	Dimensions (mm)			
	Outlet	A (h)	B (w1)	C (w2)	D (outlet)
UNILIFT KP 150	1 1/4" Female	225	140	149	31
UNILIFT KP 250		225	140	149	31
UNILIFT KP 350		235	140	149	31