

## Mizu Stream Shower Mixer

### INSTALLATION INSTRUCTIONS

#### Note:

Mixer must be installed by a licenced plumber.

#### Important:

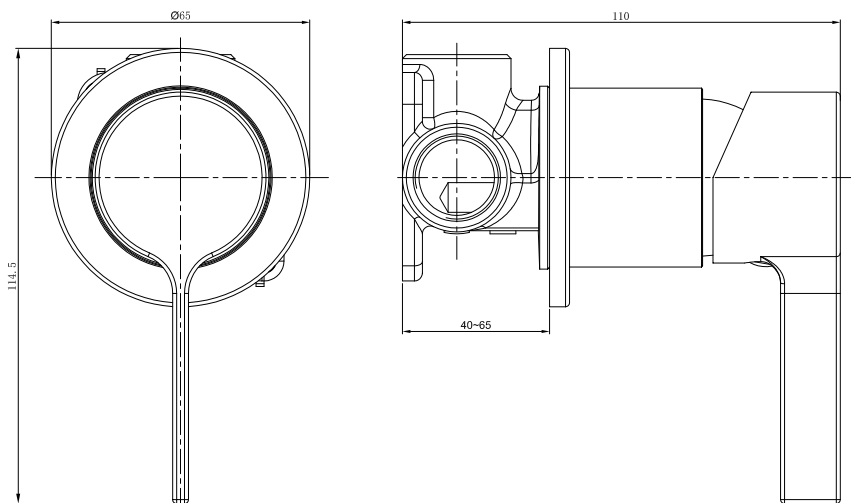
Your mixer comes to you already factory assembled and tested. We do not recommend the dismantling of any internal part of the mixer. The mixers are factory tested and sealed so as to give the best possible performance.

#### Installation Procedure:

1. Please flush out new pipe work prior to connecting the new mixer.
2. This tap is suitable for high pressure where both hot and cold water supply is at 150kPa or above.
3. During installation protect the exposed finish surface by using the plastic cover provided. Please pay attention to the minimum/maximum depth.
4. In a typical installation, the mixer is mounted on the timber/metal noggin and secured with screws.
5. Shower mixer outlet must always face up toward the shower. Connect the mixer to hot and cold water supply.
6. Pressure check all connections. Leaking joints are not covered by the warranty.
7. Recommended maximum tile cutout for cover plate not to be larger than 50mm.
8. When ready for finishing, remove the plastic cover and fit the cover plate and handle.

#### Servicing - Replacement of Cartridge

1. Remove decorative cap and unscrew grub screw.
2. Lift handle and remove the cartridge dome.
3. Unscrew lock nut and remove cartridge.
4. Replace cartridge, replace lock nut, check for water leaks.
5. Replace dome, coverplate and handle.



Dimensions are nominal measurements only.

**Please ensure a copy of the installation instructions is left with the end user for future reference.**

Published 14/08/2020

### Mizu Stream Shower Mixer

#### COMPONENT LISTING

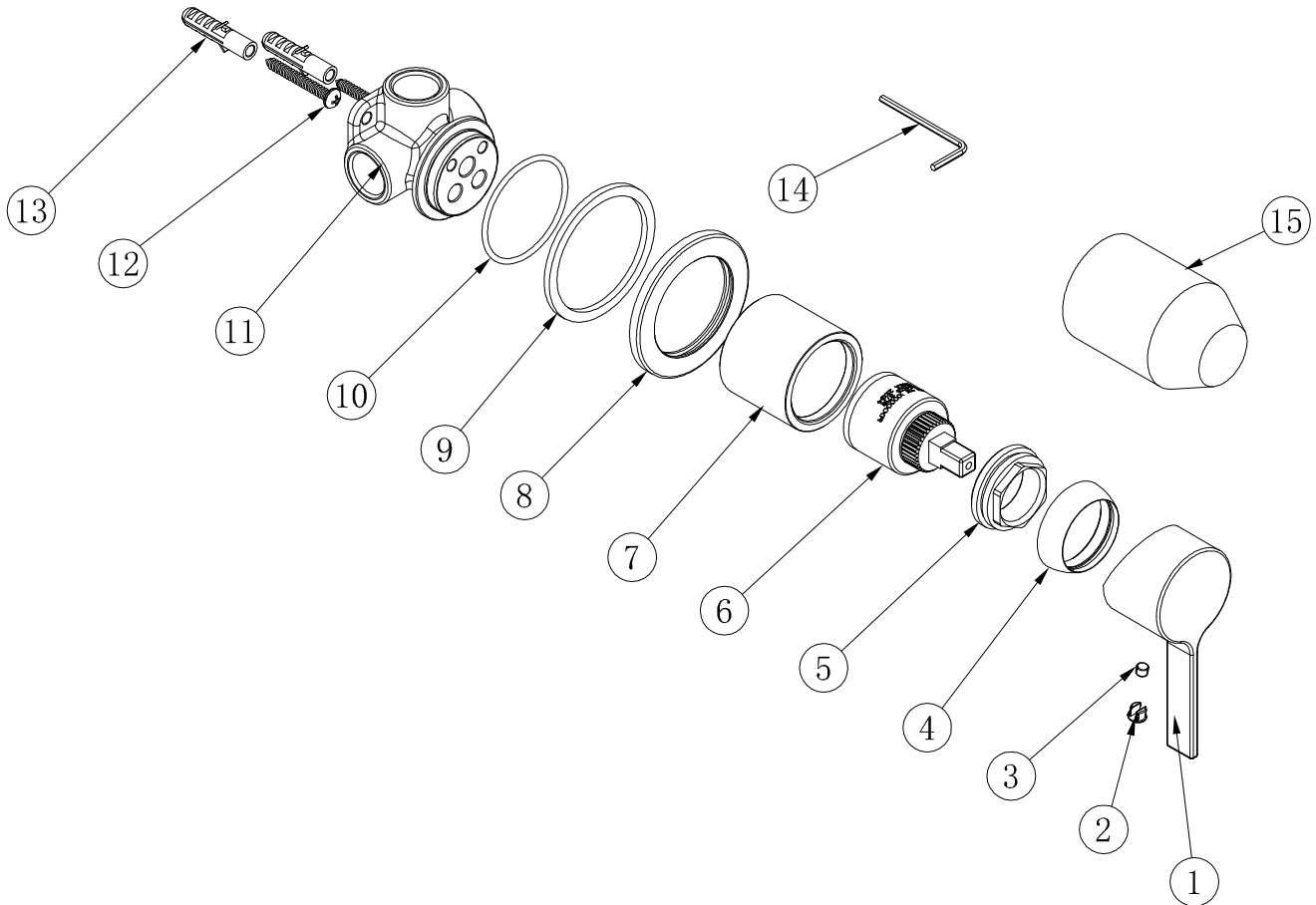


DIAGRAM NUMBER	DESCRIPTION	COMPONENT CODE
1	Handle Complete	202010250226
2		202030410726
3		205010641601
4	Cap	205050400126
5	Bonnet	205020030102
6	Cartridge	204010679901
7	Cartridge Cover	206093170126
8	Panel	206025430126
9	D61*D52.5*3 Washer	207011430601
10	O-Ring D44.5*D2.3 (NBR)	208000640601
11	Body	201512570111-DR
12	Self Tapping Screw	205011321601
13	Expansion Screw	207040480701
14	Spanner	202060041601
15	Safety Cover	206020850701

Dimensions are nominal measurements only.

**Please ensure a copy of the installation instructions is left with the end user for future reference.**

Published 14/08/2020