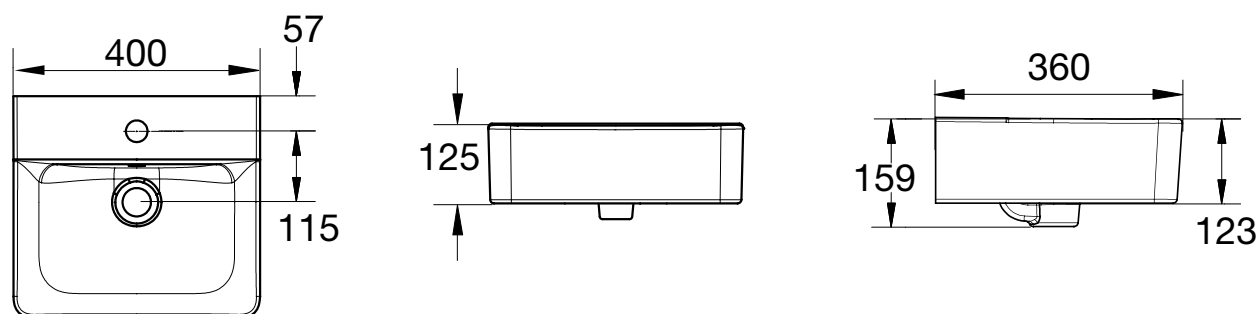


AMERICAN STANDARD

CONCEPT WALL BASIN



Dimensions are nominal measurements only.

SPECIFICATION

| | |
|------------------------------|---|
| Recommended Use | Domestic, hotel or commercial |
| Material | Vitreous China |
| Weight | Basin: 11kg |
| Fixing | Basin to wall using fixing bolts supplied |
| Integrated Overflow | Yes |
| Tap Hole Availability | 0 and 1 tap holes |
| Plug & Waste | Suits 32 x 40mm overflow waste (not supplied) |
| Capacity | 2 litres |
| Colour Availability | White |



To see the complete AMERICAN STANDARD range go to www.reece.com.au/bathrooms

CLEANING RECOMMENDATIONS

We recommend the use of soapy water or approved cleaners.

This product should not be cleaned with abrasive materials.

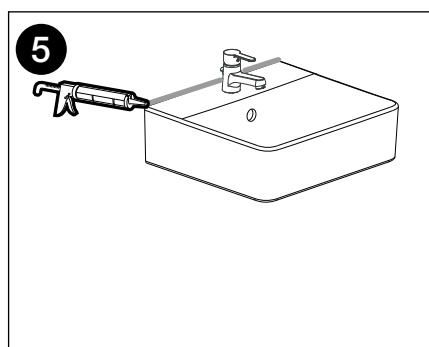
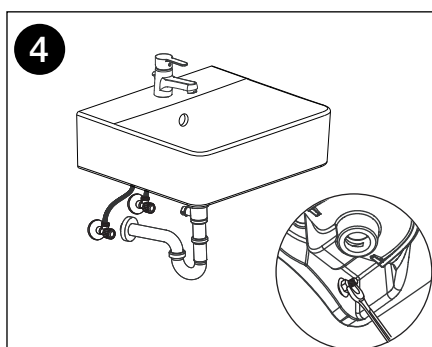
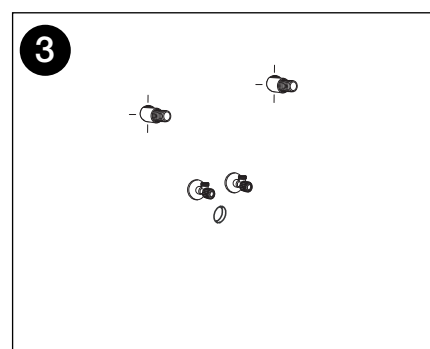
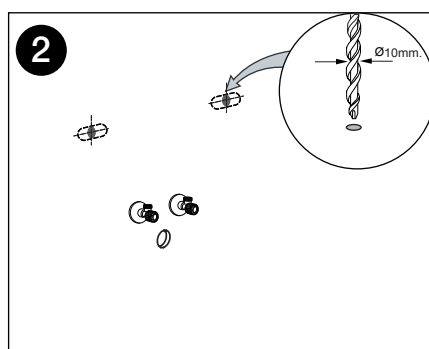
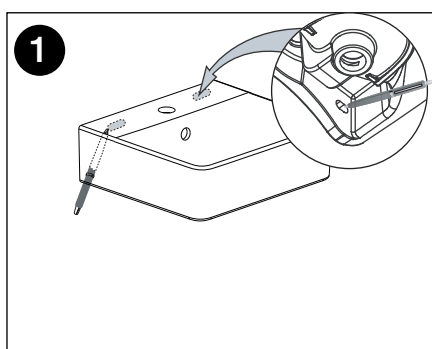
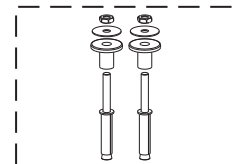
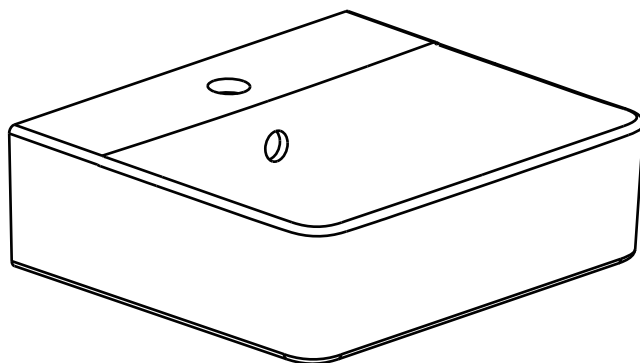
Damage caused by any improper treatment is not covered by the product warranty. Refer to Warranty Conditions.

Disclaimer: Products in this specification manual must by regulation be installed by licensed and registered trade people. The manufacturer/distributor reserves the right to vary specifications or delete models from their range without prior notification. Dimensions are nominal measurements only. Dimensions and setouts listed are correct at time of publication however the manufacturer/distributor takes no responsibility for printing errors.

Tech Page Version 1

AMERICAN STANDARD CONCEPT WALL BASIN

INSTALLATION INSTRUCTIONS



Note: If fixing to timber framed walls or partitioning, the wall should be reinforced with noggins to receive the fixing bolts.

Plumbers, please ensure a copy of the installation instructions is left with the end user for future reference