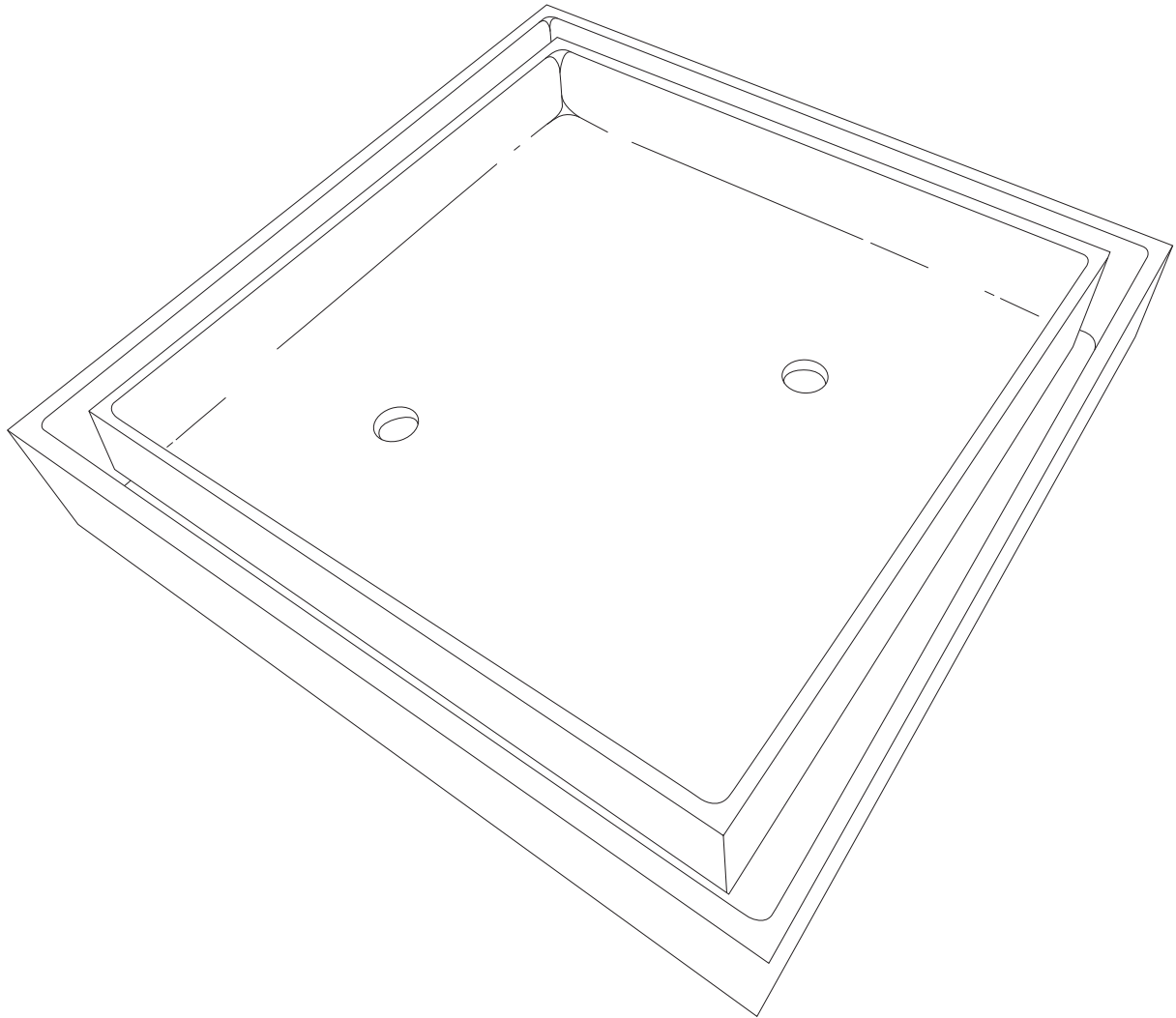


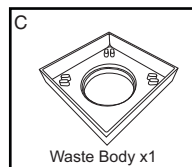
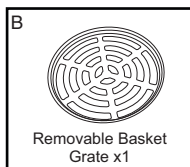
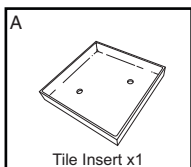
mizu

Mizu Drift Mk2 Tile Insert Waste 80mm Chrome Plated

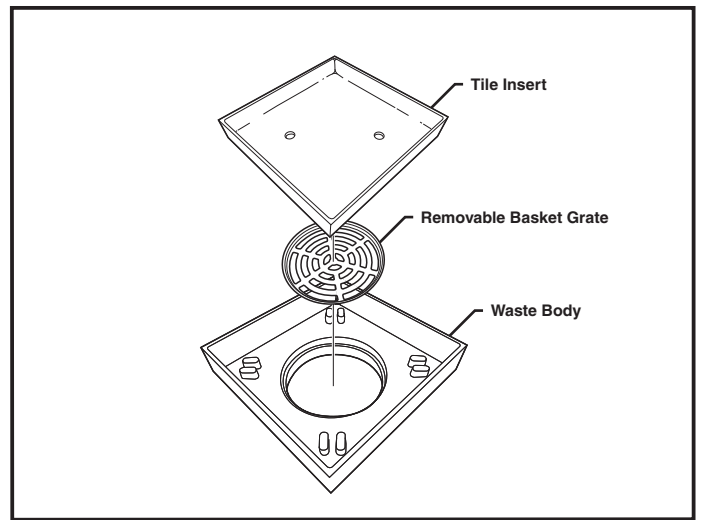
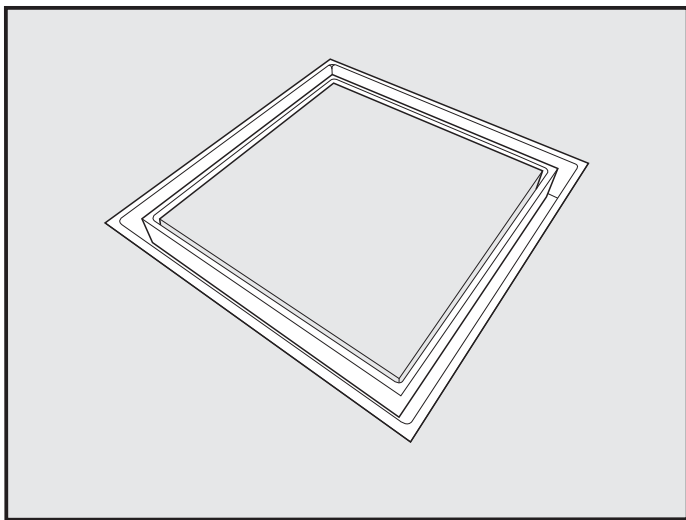
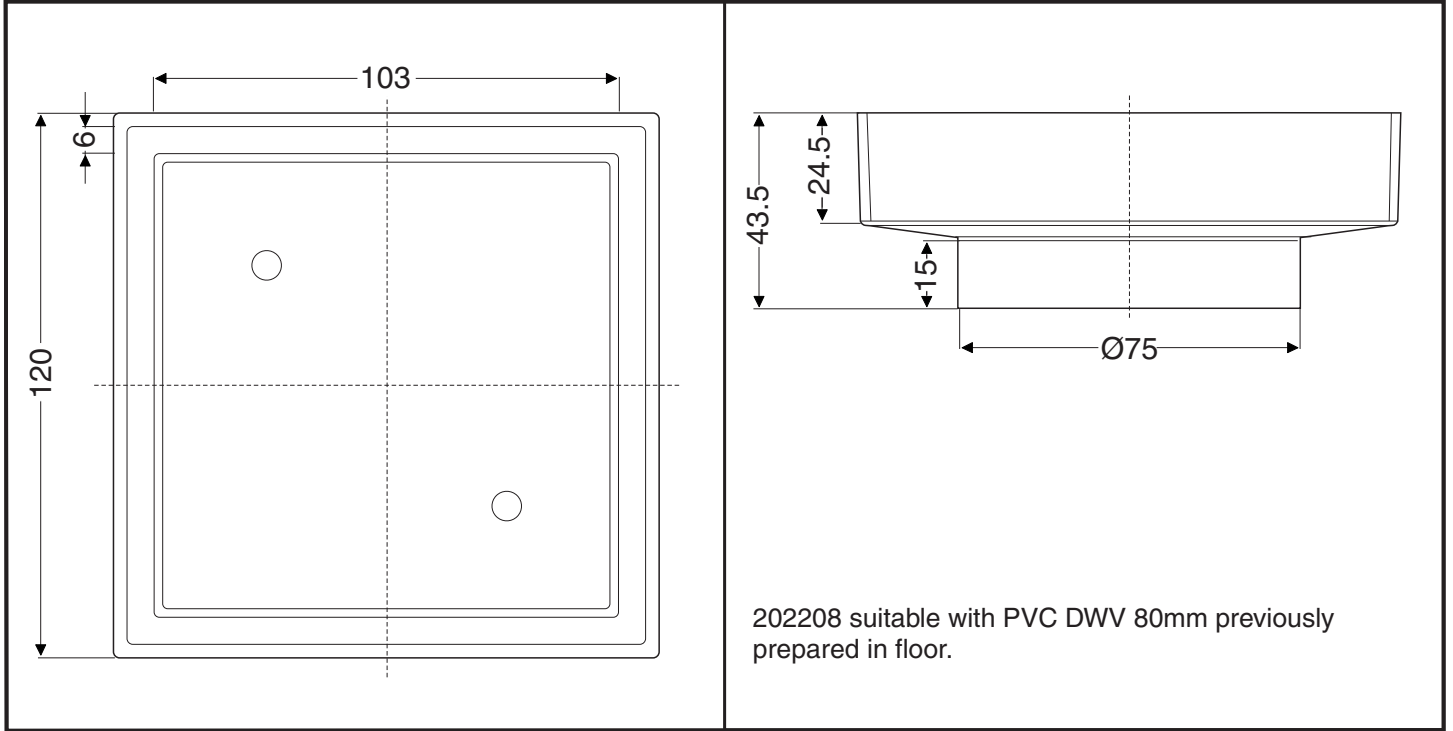
9510798



Components Supplied

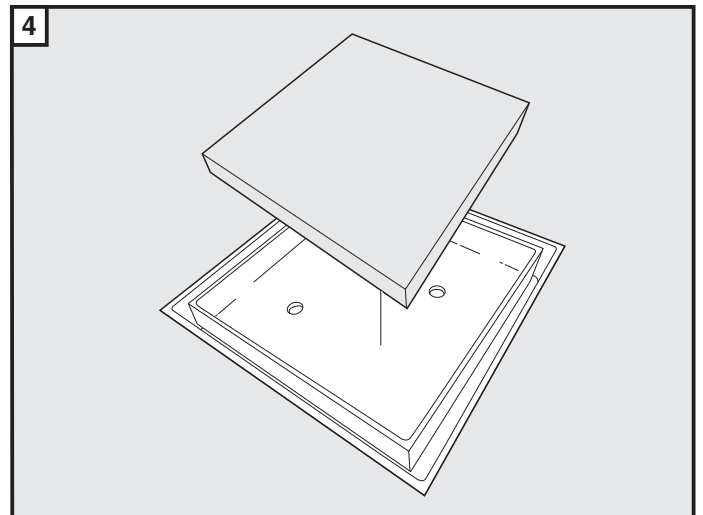
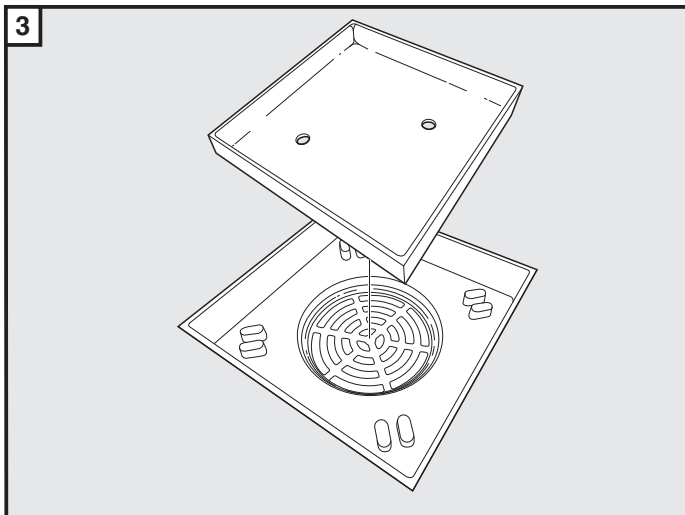
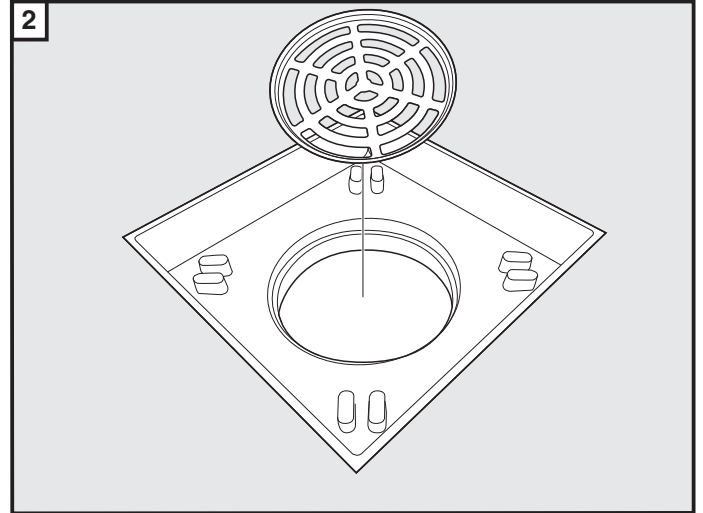
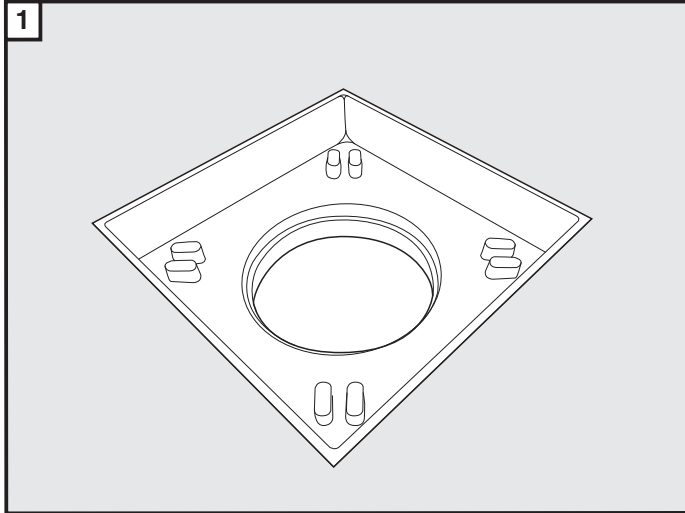


Product Specification



mizu

Installation



- Tile insert waste to be used in conjunction with a leak control flange, waterproofed as per requirements in *AS3740 Waterproofing of domestic wet areas*.
- Fit leak control flange inlet into the floor, so it can be connected to the outlet S-Trap or DWV waste pipe. Insert tile insert waste body so tile insert with tile sits level with finished floor height.

Notes:

- Tile (not supplied), recommended tile size be 5mm smaller than inside dimension of tile insert & tile thickness maximum is 12.5 plus thickness of adhesive. Tile can be fixed into tile insert with a bathroom grade flexible silicone sealant.

Care Details

We recommend the use of soapy water or approved cleaners. This product should not be cleaned with abrasive materials or chemical cleaners. Damage caused by any improper treatment is not covered by the product warranty. Refer to Warranty Conditions

Plumbers, please ensure a copy of the installation instruction is left with the end user for future reference.

