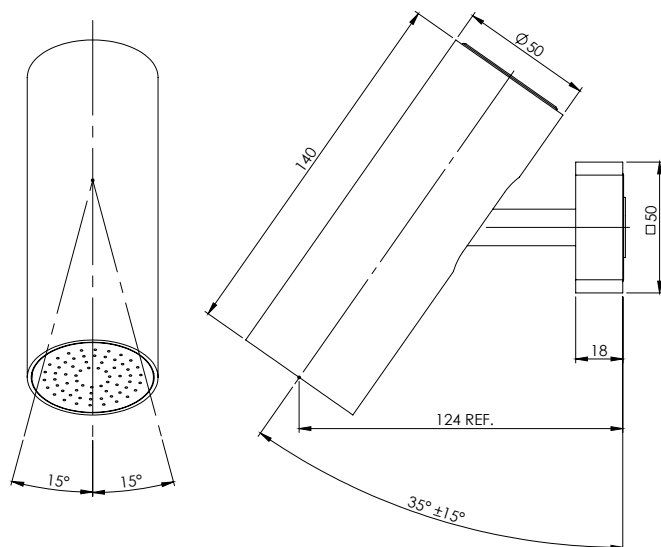


MILLI AXON

WALL MOUNTED SHOWER ARM AND ROSE



SPECIFICATIONS

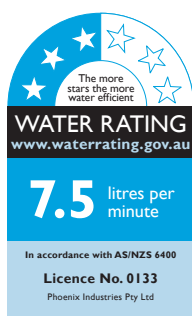
Recommended Use	Domestic, hotel and commercial
Finish Available	Chrome Shower with Chrome B/P Chrome Shower with Black B/P
Pressure Rating	Maximum continuous operating pressure 500 kPa. Note: For best performance and longer life we recommend 150-500 kPa.
Temperature Rating	Maximum continuous working temperature 75°
Suitable Hot Water	Storage Tank: No Continuous Flow: Refer to manufacturer of continuous hot water systems Gravity Feed: No
WELS	Stars: 3 Flow Rate: 7.5 L/min
Standards	AS/NZS 3718



To see the complete Milli range go to www.reece.com.au/bathrooms

CLEANING RECOMMENDATIONS

This product should not be cleaned with abrasive materials eg. steel wool/scourers. Damage caused by any improper treatment is not covered by the product warranty - refer to Warranty Conditions.



Disclaimer: Products in this specification manual must by regulation be installed by licensed and registered trade people. The manufacturer/distributor reserves the right to vary specifications or delete models from their range without prior notification. Dimensions are nominal measurements only. Dimensions and set-outs listed are correct at time of publication however the manufacturer/distributor takes no responsibility for printing errors.

Tech Page Version 1

Milli

reece

MILLI AXON

WALL MOUNTED SHOWER ARM AND ROSE

INSTALLATION INSTRUCTIONS

Milli Axon Wall Mounted Shower Instructions

INSTALLATION INSTRUCTIONS

- 1 : Apply Teflon Tape to Elbow Thread.
- 2 : Ensure that small *O*rings are fitted to Adaptor.
Screw on Adaptor to Elbow Thread firmly.
- 3 : Check if Large *O*ring is fitted to the bottom of the block.
- 4 : Ensure that the restrictor is in place. Push on Shower Assembly to Adaptor. fasten Grub Screw.

Test & Check for Leaks

Fasten or release the disc to control shower's adjustment tension.

Grub Screw

Small Oring

Teflon Tape

Elbow Thread

Large *O* ring | Adaptor

Block

Restrictor

WATER SUPPLY REQUIREMENTS

**160 KPa Min.
550 KPa Max.**

Recommended Working Pressure

75°

Maximum hot water temperature

Note:

- If the pressure exceeds or is likely to exceed 550kpa, an approved pressure limiting device must be installed.
- Flush out all pipe work prior to installation.
- If the water temperature exceeds 75°C, an approved tempering valve must be fitted.
- Installation should comply with Australian standard AS3500.1 or relevant local authority requirements.
- Showers may not be suitable for use with gravity-fed water heaters, low-pressure supply networks or some instantaneous water heaters.

NOTE: Some showers with nominal flow rates of less than 7.5lt/min may not provide an effective shower when used with gravity-fed water heaters, low-pressure supply networks or some instantaneous water heaters.

Failure to comply with the above may void all warranties.

Maintenance and Care

- Chrome plated surfaces should be cleaned with mild liquid detergent or soap and water.
- Do not** use cream cleaners or citrus based cleaning products, as they are abrasive.
- Use of unsuitable cleaning agents may damage the surface. Any damage caused in this way will not be covered by warranty.

Plumbers, please ensure a copy of the installation instructions is left with the end user for future reference

Milli

reece