

## American Standard Cygnet Twin Shower Round 3F (3\*)

### SPECIFICATIONS

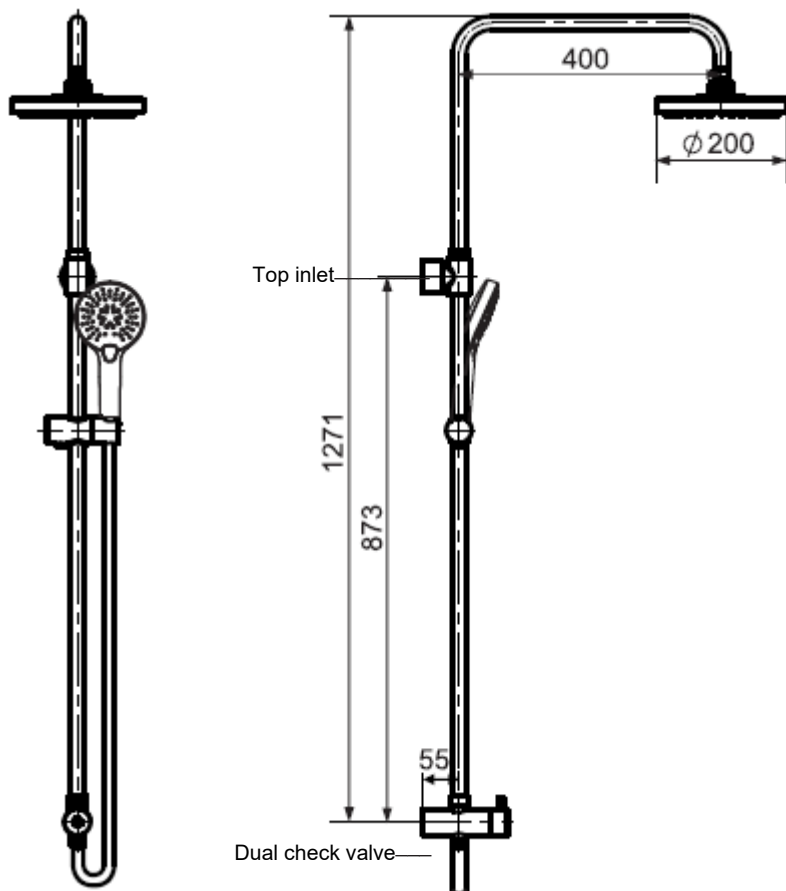
Recommended Use	Domestic, Hotel & Commercial
Colour	Chrome with white face on hand piece & overhead
Functions	1F over head, 3F hand piece
Recommended Pressure Range	150 - 500kPa
Max Continuous Working Pressure	500kPa
Max Continuous Working Temperature	50°C
Suitable for Storage Tank Hot Water	Yes
Suitable for Continuous Flow Hot Water	Yes
Dual check valve included	Yes
Suitable for Gravity Feed Hot Water	No

Hot and Cold water inlet pressure should be equal

### WARRANTY

Warranty - Domestic Use	10 Years
Spare Parts & Labour	12 Months

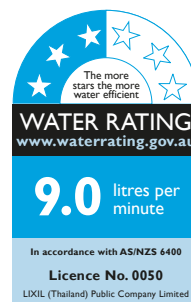
Please refer to Warranty Page for full Terms and Conditions



Dimensions are nominal measurements only.

**Disclaimer:** Products in this specification manual must by regulation be installed by licensed and registered trade people. The manufacturer/distributor reserves the right to vary specifications or delete models from their range without prior notification. Dimensions are nominal measurements only. Dimensions and set-outs listed are correct at time of publication however the manufacturer/distributor takes no responsibility for printing errors.

Published 07/07/2021



To see the complete American Standard range go to [www.reece.com.au/bathrooms](http://www.reece.com.au/bathrooms)