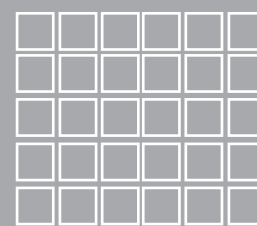
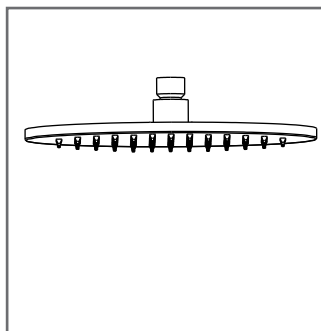


To ensure that your installation proceeds smoothly,
please read this instructions carefully before you begin.

American Standard

FFASS036-006500BN0

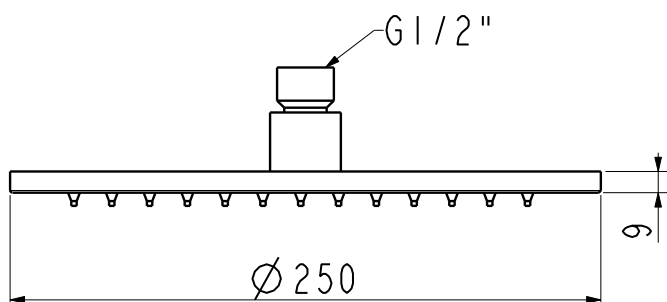
Cygnets Overhead Shower Round 250mm



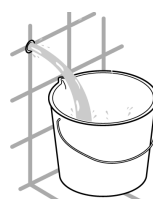
Installation &
Operation Instruction

Dimension

Unit:mm

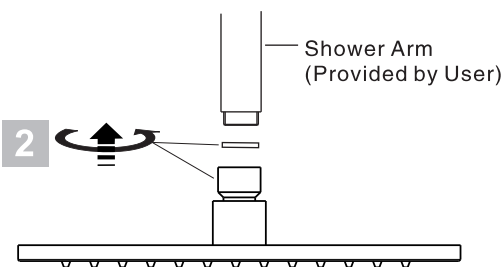


Installation

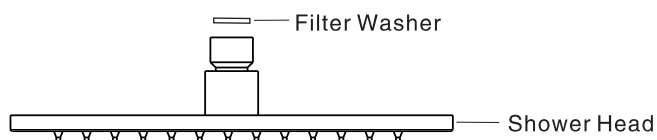


1

- * Consult the dimension drawing and lay the pipes.
- * Wash and clean the water supply pipeline.



Parts List



Notice

Remove all impurity in pipes before beginning to avoid clogging.

When you repair the shower you will need to shut off hot/cold water supply by closing the water supply.

Conditions for use

- * Water pressure condition: 0.1MPa~0.75MPa
- * Environment Temperature: 1°C~55°C
- * Not for use as a steam outlet.

Cleaning the surface of faucet

- * Rinse the product with clean water.
- * Dry with soft cotton flannel cloth.
- * Do not clean the product with acid, polish, abrasives, harsh cleaners, or cloth with a harsh surface as these products may damage the finish.



Reece Australia Pty Ltd
118 Burwood Hwy
Burwood VIC 3125

Tel.: 1800 080 055
Email: customercare@reece.com.au



Robertson
25 Vestey Drive
Mt Wellington, Auckland

Tel.: +64 9 5730490
Email: sales@robertson.co.nz