

# Ona

3 Star (O/Head Shower)

5 Star (Hand Shower)



---

A5A9M9E..A

---

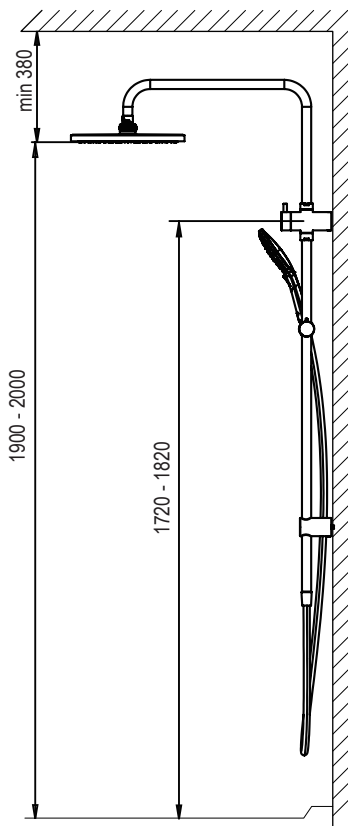
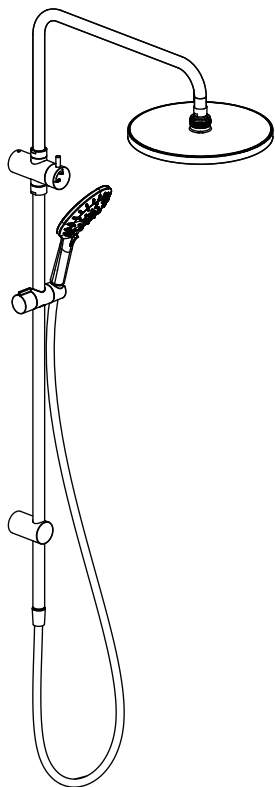



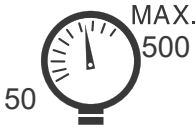


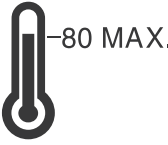
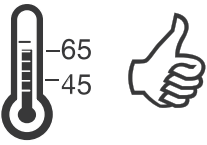
- ⚠ Must be installed to the requirements of AS/NZS 3500 by suitably qualified personnel.
- ⚠ This product is suitable for use with high pressure water supplies.
- ⚠ This product is not suitable for gravity fed supplies.
- ⚠ Care must be taken to ensure that male connecting threads do not damage the flow controllers and check valves included with this product.
- ⚠ Ensure the water supply line is flushed free of debris prior to installation.

**Roca**



(mm)



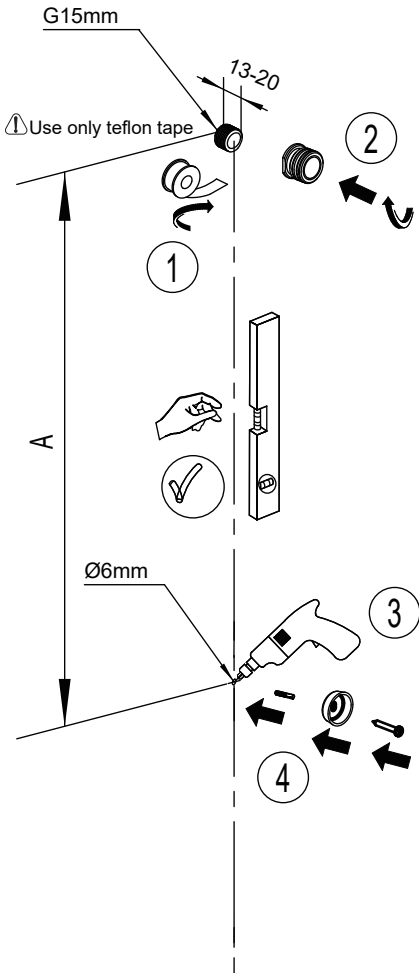
 <b>P</b> kPa		
 <b>T</b> °C		



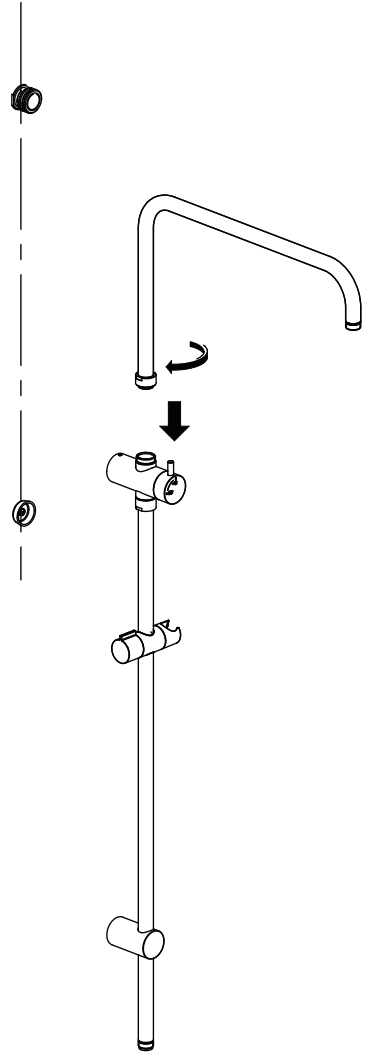
(mm)

1

2

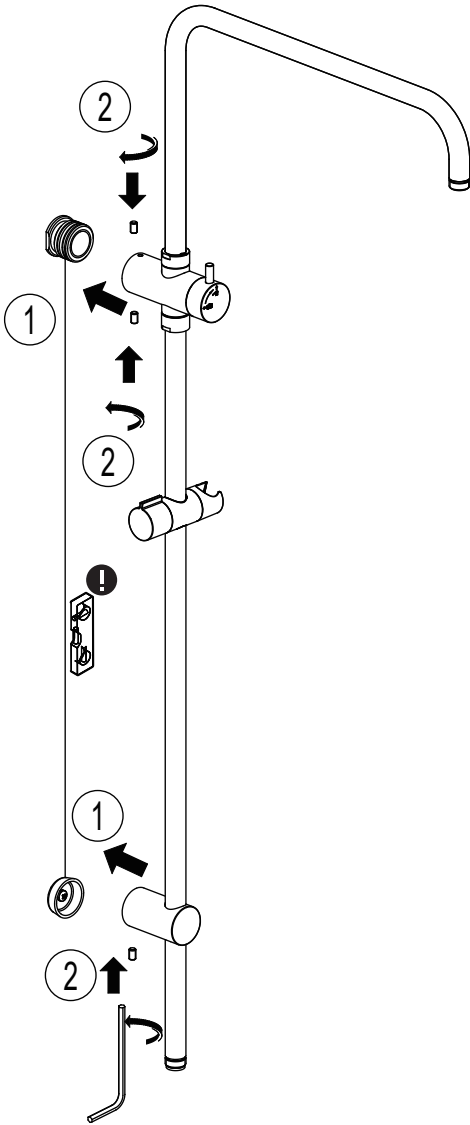


A
720 ↗
760max
680min



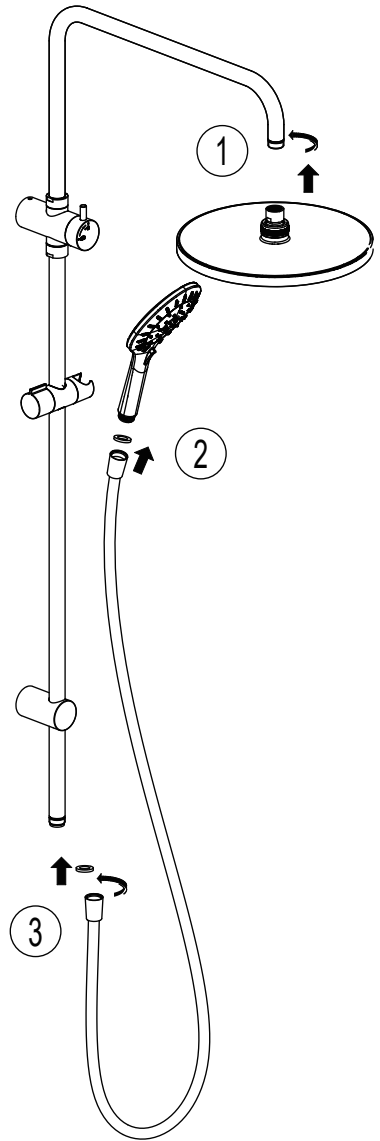


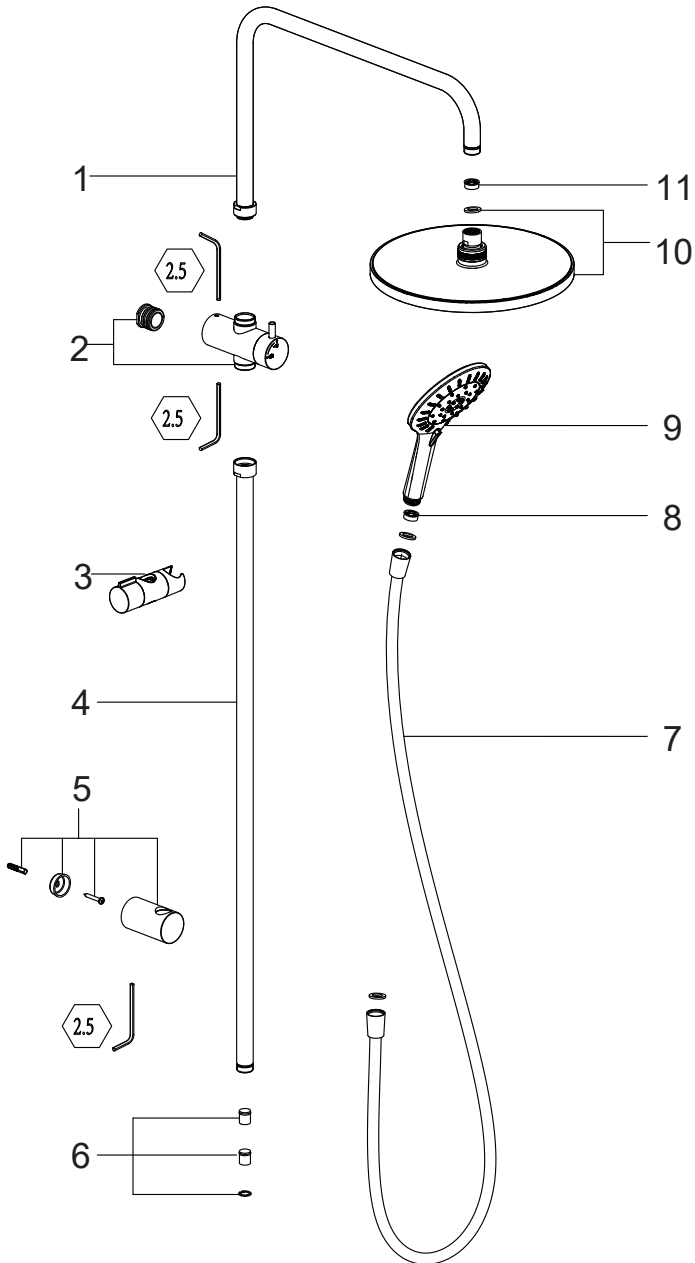
3

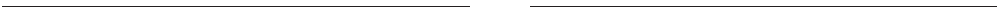


(mm)

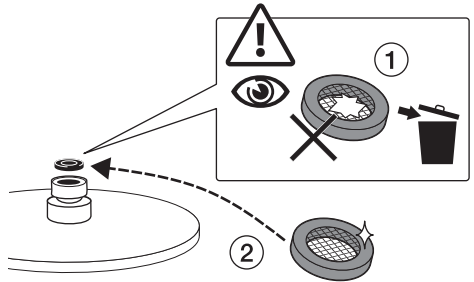
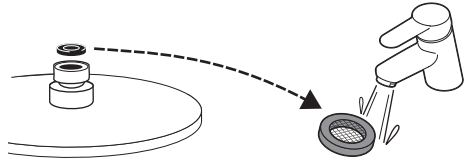
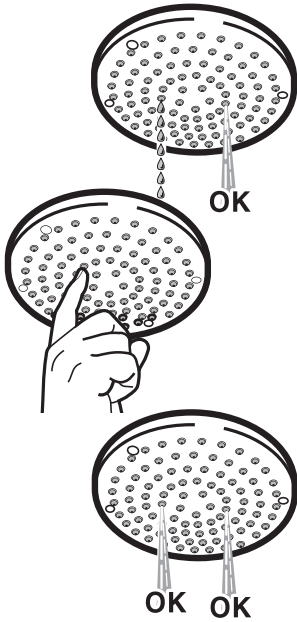
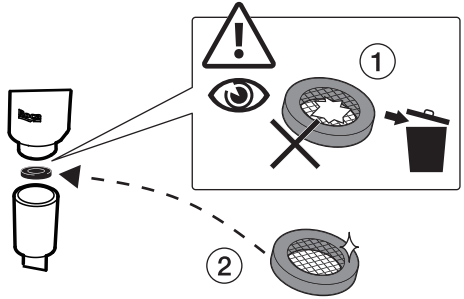
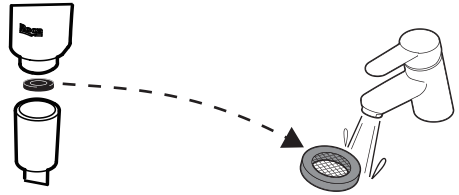
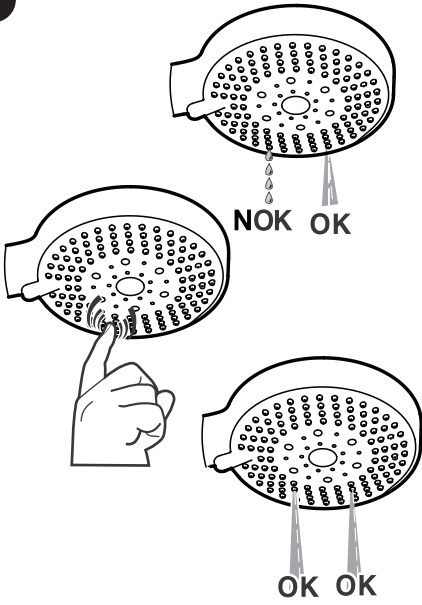
4







<u>1 - OVERHEAD TUBE</u>	<u>4 - STRAIGHT TUBE</u>	<u>7 - SHOWER HOSE</u>	<u>10 - O/HEAD SHOWER</u>
<u>2 - DIVERTER ASM</u>	<u>5 - FIXED BRACKET ASM</u>	<u>8 - RESTRICTOR 7L</u>	<u>11 - RESTRICTOR 9L</u>
<u>3 - HOLDER</u>	<u>6 - CHECK VALVE KIT</u>	<u>9 - HAND SHOWER</u>	





(mm)

