

# WALL HUNG URINAL STALL



Scan QR code to view online



## features and benefits

- WELS and WaterMark certified
- Made from satin stainless steel
- Robust construction
- Budget model
- Top water entry
- Quick and easy to install
- Compatible with wall mounted cisterns
- Suited to pubs, clubs and public amenities

## about

The *BRITEX Wall Hung Urinal Stall* is designed for commercial or industrial applications that may be prone to vandalism. The one piece design makes this urinal suitable for areas where minimal maintenance is required. WaterMark and WELS certified as required by plumbing regulations and government legislation.

## sample spec. text

*BRITEX S.S. Wall Hung Urinal Stall - WELS rating and WaterMark Level 1 certified - Product Code UWHU*

\*RED TEXT may denote a **variable** where one option only is to be selected, a **nominal dimension** that needs to be specified, or an **optional feature** that can be removed if not required. Please refer to the back of this page for additional specification details and options.

VISIT [BRITEX.COM.AU](http://BRITEX.COM.AU) TO DOWNLOAD BIM FILES, CAD DRAWINGS AND THE MOST CURRENT PRODUCT LITERATURE.



**MELBOURNE**  
Britex Place, Mirra Crt  
Bundoora VIC 3083  
t (03) 9466 9000  
f (03) 9466 9011

**SYDNEY**  
16 Northumberland Drv  
Taren Point NSW 2229  
t (02) 9531 2100  
f (02) 9531 2800

**PERTH**  
Unit 1/8 Principal Link  
Malaga WA 6090  
t (08) 9249 5464  
f (08) 9248 6893

**BRISBANE**  
19 Manilla St  
East Brisbane QLD 4169  
t (07) 3363 2400  
f (07) 3363 2444

**ADELAIDE**  
The Britex Group  
SA State Office  
t 1300 764 744  
f 1300 784 306

[britex.com.au](http://britex.com.au) | [info@britex.com.au](mailto:info@britex.com.au) | A.B.N 83 004 309 737

# WALL HUNG URINAL STALL

PRODUCT CODE

## UWHU

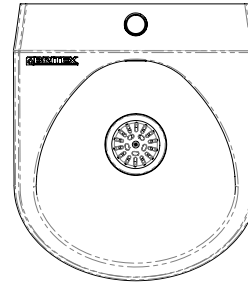
### Suggested Mounting Heights:

Dimension from finished floor to front edge/rim of urinal

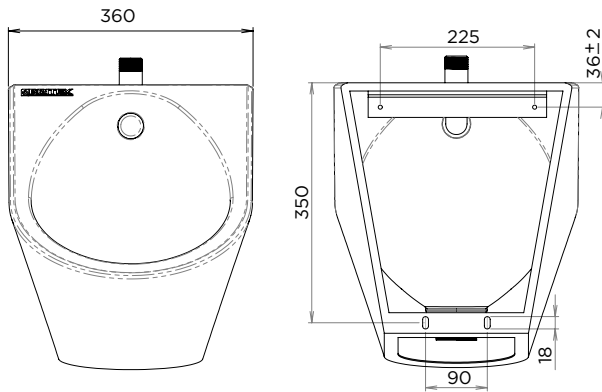
Adults - 610 mm

Juniors - 510 mm

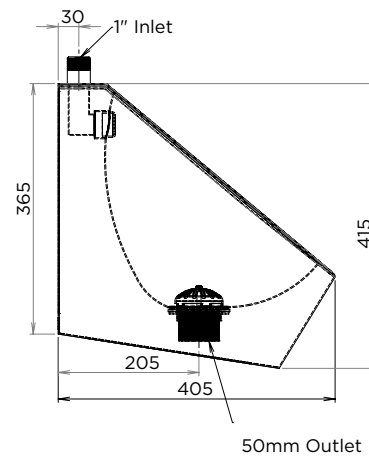
NB: Heights are suggestions only, subject to suitability of users for each individual project.



MODEL UWHU Plan



MODEL UWHU Front & Rear Elevation



MODEL UWHU Section

#### When specifying this product please include:

- Product Name and Code
- Product Features
- Product Dimensions

specifying guide

options

- BRITEX Flushing System - Push Button Cistern FCS: p 3.05

VISIT [BRITEX.COM.AU](http://BRITEX.COM.AU) TO DOWNLOAD BIM FILES, CAD DRAWINGS AND THE MOST CURRENT PRODUCT LITERATURE.