



Suitability:

Suitable for domestic and commercial installations to remove sediment and improve the service life of plumbing fixtures and fittings. Product Approval: The product is certified to ATS 5200.103



Device must be installed immediately downstream of an AS/NZS 2845.1 backflow prevention valve!

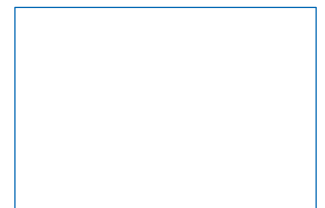
Please contact your plumber!

BWT Multi C

**Point of entry Media-Filter
Type: 1000, 2000, 3000, 7000**



Changes reserved!



Thank you very much for the confidence that you have shown in us by purchasing a BWT appliance.



Table of Contents

1	Safety Instructions	4	10	Troubleshooting	14
1.	General safety instructions	4	1.	Service notification	14
2.	Scope of the documentation	4	11	Warranty	14
3.	Personnel qualifications	4	13	Decommissioning and disposal	16
4.	Transport and installation	4	1.	Decommissioning	16
5.	Symbols used	4	2.	Disposal	16
6.	How safety instructions are displayed	5	14	Type label	16
7.	Product-specific safety instructions	5			
2	Scope of delivery	6			
1.	Supplies	6			
3	Use	7			
1.	Intended use	7			
2.	Foreseeable misuse	7			
3.	Disclaimer	7			
4.	Other applicable documentation	7			
4	Function	7			
5	Installation conditions	8			
6	Installation	8			
1.	Checklist	9			
7	Start-up	9			
1.	Operating the controller	9			
2.	Factory settings	9			
3.	Start-up backwashing	10			
4.	Repeat backwashing	10			
5.	Setting time and day	10			
6.	Setting the capacity between backwashes	11			
8	Refill and replace filter material	12			
9	Operator's responsibilities	13			
1.	Intended operation	13			
2.	Controls	13			
3.	Inspection	13			
4.	Maintenance	13			
5.	Cleaning	13			

1.1 General safety instructions

The product was manufactured according to all recognised regulations and technical standards and was in compliance with the relevant legal requirements when it was put into circulation.

Nevertheless, it can pose a risk of personal injury or property damage if you do not observe this chapter and the safety instructions throughout this documentation.

- Read this documentation thoroughly and in full before working with the product.
- Retain the documentation in such a way that it is accessible to all users at all times.
- Always hand over the product to third parties together with the full documentation.
- Follow all of the instructions in relation to the proper handling of the product.
- If you detect damage to the product or the mains supply, stop its operation and notify a service technician immediately.
- Use only accessories, spare parts and consumable materials that have been approved by BWT.
- Adhere to the environmental and operating conditions specified in the "Technical data" chapter.
- Use your personal protective equipment. It ensures your safety and protects you from injury.
- Only perform tasks that are described in these operating instructions or if you have been trained to do so by BWT.
- Perform all tasks in compliance with all applicable standards and provisions.
- Instruct the operator in the function and operation of the product.
- Instruct the operator in the maintenance of the product.
- Instruct the operator in relation to potential dangers that may arise while operating the product.

1.2 Scope of the documentation

This documentation applies exclusively to the product the production number of which is listed in chapter 12 "Technical Data".

This documentation is intended for operators, installers without training from BWT, installers with training from BWT (e.g. drinking water specialists), and BWT service technicians.

This documentation contains important information for fitting the product safely and properly, starting up, operating, using, maintaining, and disassembling the product, and for correcting simple faults independently.

Read this documentation in full before working with the product. Pay particular attention to the chapter "Safety Instructions".

1.3 Personnel qualifications

The installation work described in these instructions requires basic knowledge of mechanics, hydraulics and electrical systems as well as knowledge of the corresponding specialist terms.

To ensure that the device is installed safely, this work must be performed only by a qualified specialist or a trained person under the guidance of a qualified specialist.

A qualified specialist is anyone who can assess the work assigned to him or her, identify potential risks, and take suitable safety measures thanks to his or her specialist training, knowledge and experience as well as his or her knowledge of the applicable regulations. A qualified specialist must comply with the applicable specialist regulations.

An instructed person is anyone who has been instructed and, if necessary, trained by a qualified specialist in the transferred tasks and the potential risks presented by improper behaviour and who has been educated about the necessary protective equipment and measures.

4. Transport and installation





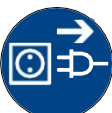
To avoid damage during transport to the installation location, do not remove the BWT product from the packaging until you have reached the relevant location. Then dispose of the packaging in the correct manner. Check that the delivery is complete.

If there is a risk of frost, drain all components that convey water.

Lift or transport the product or its components only from the designated suspension eyes or attachment points, if present.

The product must be installed or mounted on a sufficiently strong and level horizontal surface and must be adequately secured against falling or tipping.

5. Symbols used


	This symbol indicates general risks due to the mains voltage. Risk of death by electric shock!
	This symbol indicates that this electrical and electronic equipment must not be disposed of with household waste at the end of its life.
	This symbol indicates that the product can be recycled at the end of its life.
	This symbol indicates information or instructions that you must observe in order to ensure safe operation.
	Unplug device before any service and repair works.

1.6 How safety instructions are displayed

In this document safety instructions precede any sequence of actions that could cause harm to persons or damage to property. All hazard prevention measures must be followed.

Safety instructions are displayed as follows:

⚠ SIGNAL WORD!



Source of hazard (e.g. electric shock)
Type of hazard (e.g. risk of fatal injury)!

- ▶ Escape or prevent hazard
- ▶ Rescue measure (optional)

Signal word / colour	Indicates the severity of the hazard
Warning symbol	Calls attention to the hazard
Source / type of hazard	Indicates the type and the source of the hazard
Consequences of hazard	Explains the consequences of not following the safety instructions
Hazard prevention measure	Explains how to avoid the hazard

Signal word	Colour	Severity of the hazard
DANGER		High-risk hazard. Indicates a hazardous situation which, if not avoided, will result in death or serious injury.
WARNING		Hazard with a moderate degree of risk. Indicates a hazardous situation which, if not avoided, could result in death or serious injury.
CAUTION		Low-risk hazard. Indicates a hazardous situation which, if not avoided, may result in minor or moderate injury.

1.7 Product-specific safety instructions

⚠ DANGER!




Electrical hazard!
Contact with live components will cause electric shock.

- ▶ Unplug device before any service and repair works.
- ▶ If the mains cable of the unit is damaged, it must be replaced by the original BWT connection cable.



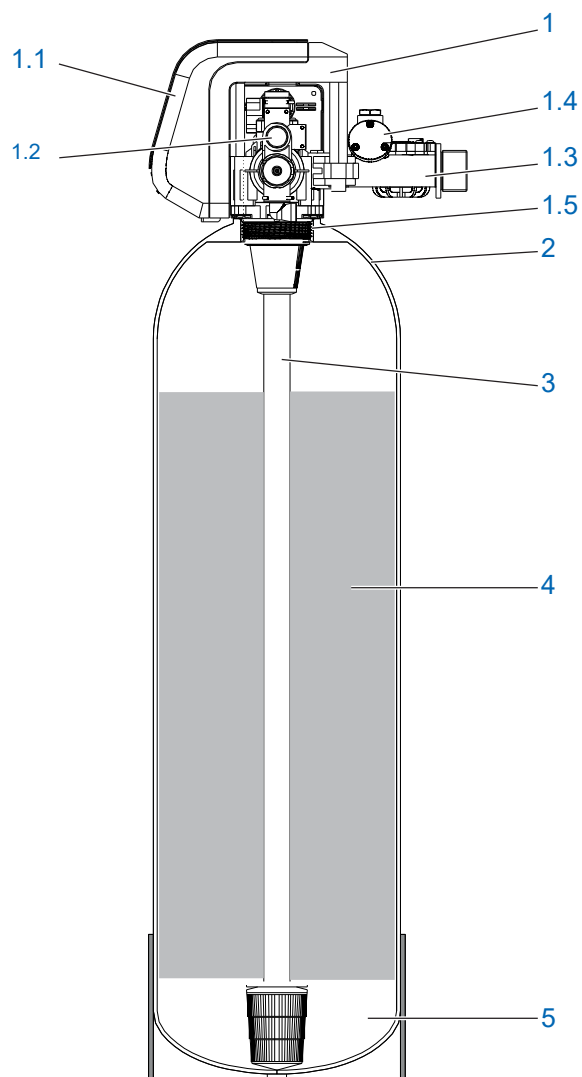
NOTE



- ▶ The optimum operating pressure of the product is between 2 and 8 bar.

In the following sections, you will find product-specific safety instructions whenever you must perform certain safety-relevant actions on the device.

2 Scope of delivery



The BWT Multi C consists of:

1	Control valve
1.1	Microprocessor control-unit wit backlit display and 6 logically arranged keys
1.2	Multiway valve
1.3	Water meter for filtered water
1.4	Integrated bypass-valve for water-bypass during backwash
1.5	Adapter ring (Multi 7000 only)
2	Pressure tank, fibreglass reinforced polyester
3	Central tube, installed with nozzle system
4	Filtermaterial
5	Filter gravel, 1- 2 mm
7	Outlet: Filtered water
8	Inlet: Unfiltered water

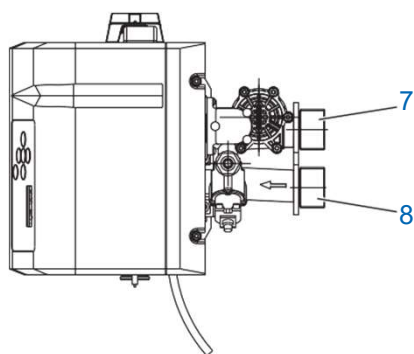
All materials used are corrosion-resistant and suitable for use in drinking water treatment.

The product complies with the requirements of
ATS 5200.103; Technical Specification for plumbing
and drainage products part 103: Water treatment
systems (other than those specified in AS/NZS3497):

Watermark Licence: IAPMO-WM-022072

2.1 Supplies

Filling for:	Multi 1000 C	Multi 2000 C	Multi 3000 C	Multi 7000 C
BWT Bewasorb K111, 8 kg, 16 lit. TRS 1911238, BWT 6-630047	1 bag	2 bags	3 bags	6 bags
BWT filter gravel 1-2 mm, 6 kg, 4 lit. TRS 1911239, BWT 2-307105	-	1 bag	1 bag	4 bags



3 Use

1. Intended use

The BWT Multi C is an activated carbon filter which reduces extensively the concentration of chlorine and other colour- and smell causing contaminants in drinking water.

The filters are not suitable for oils, grease, solvents, soaps and other lubricating media.

The intended use presupposes that the filter is installed, operated and maintained according to the instructions and regulations of this documentation.

2. Foreseeable misuse

Operating the system with parameters other than those specified in this documentation and in section 3.1.

Not adhering to the prescribed maintenance and service intervals.

Using spare parts and consumables not approved by BWT.

3. Disclaimer

The manufacturer is released from any liability if the customer intentionally or forcibly removes guards or safety devices, if the customer wilfully modifies or circumvents the same, or if the customer does not follow the instructions in this operating manual or on the system.

4. Other applicable documentation

Observe all documents from suppliers that were included with delivery. These are considered part of this documentation and must not be changed or removed.

4 Function

During operation, water flows from top to bottom through the filter bed and impurities are filtered out or absorbed.

After consumption of a predefined water volume, the filter is automatically backwashed at the set time. Water flows from bottom to top through the filter bed. This loosens the filter material and the impurities are flushed out.

Operation during backwashing is possible via bypass valve with unfiltered water.

Electrical power failure

Electrically	In case of an electrical power failure all settings are permanently stored. The unit remains in the operating position it was in when the power failed. During backwash time BWT Multi C can be operated via the bypass valve with unfiltered water.
Hydraulically	The control valve remains in its current position.

5 Installation conditions

Observe all applicable installation regulations and technical specifications. In some countries a system separation is necessary when installing this filter.

The installation site must be protected against frost and must guarantee the protection of the filter from water splashes, solvent vapours, fuel oil, soap suds, chemicals of all types, UV irradiation (sunlight), and heat sources over 40 °C.

The filter is not suitable for producing drinking water from water of unknown origin.

A strainer of 200 µm must be installed upstream of the filter.

The water to be filtered must be drinking water that fulfils the following quality criteria:

The unit must be installed as per AS/NZS 3500.1 (Australian national plumbing code).

Observe all applicable installation regulations, general guidelines, hygiene requirements and technical specifications.

The unit's maximum operational pressure must never be exceeded (see below). If the network pressure is higher, a pressure reducer must be installed upstream of the unit.

The unit requires a minimum operational pressure in order to function.

During pressure fluctuations or surges, the sum of the pressure surge and the standing pressure must not exceed the nominal pressure. The positive pressure surge must not be greater than 2 bar, and the negative pressure surge must not be less than 50 % of the self-adjusting flow pressure.

When installing the unit, select a location where the unit can easily be connected to the water supply network. A connection to the sewage system (at least DN 50), a floor drain and a separate power supply (230 V/50 Hz) must be located in the immediate vicinity.

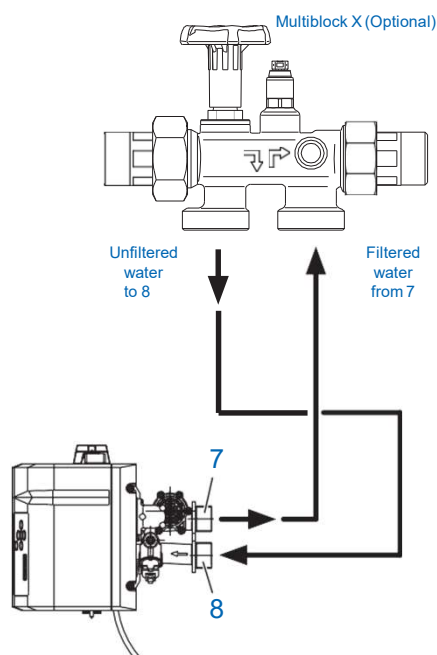
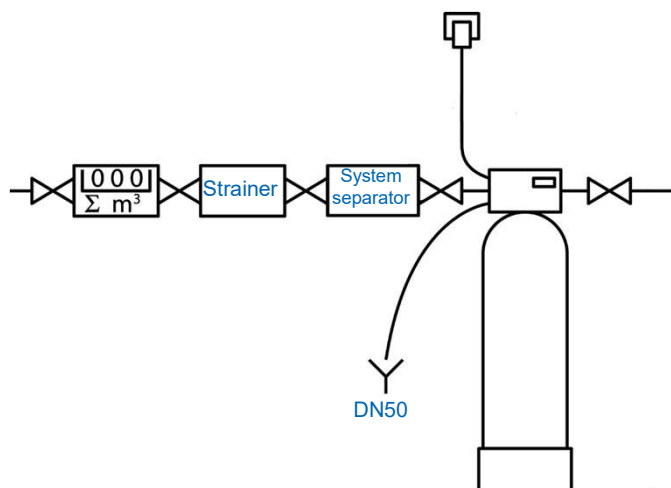
The flushing water hose must be routed at an incline to the sewage system or connected to a pump.

Note: According to AS/NZS 3500.2 pipes discharging over a tundish shall have an airgap. Please refer to AS/NZS 3500.2 for minimum airgap requirements.

Free chlorine	< 2 ppm
Temperature	5 °C – 30 °C
Maximum static pressure	12,5 bar / recommended 8 bar
Minimum flow pressure	2,5 bar

6 Installation

- Connect the unit as shown in the adjacent diagram. Piping must be conducted according to AS/NZS 3500.1
- A bypass is integrated into multiblock module.
- Installation is possible in horizontal or vertical pipelines.
- Follow the separate installation instruction of the Multiblock; otherwise the warranty is void if the unit becomes damaged.
- Flush out any dirt particles by opening the handwheel on the multiblock module.
- Connect a corrugated hose to the multiblock module outlet and the unfiltered water inlet (8). Be sure to observe the arrows indicating the flow direction.
- Connect a corrugated hose to the multiblock module inlet and the filtered water outlet (7).
- Route the flushing water hose at an incline to the sewage system connection (drain) and secure the end to prevent flapping when under pressure.
- According to AS/NZS 3500.2 pipes discharging over a tundish shall have an airgap. Please refer to AS/NZS 3500.2 for minimum airgap requirements.



6.1 Checklist

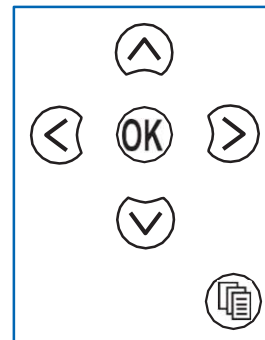
You can use this list to check your work again after you have installed and started the unit.

- Is there a protective filter upstream from the unit in the immediate vicinity?
- Is the water and power supply to the unit continuous (network pressure of at least 2 bar)?
- Is the Multiblock opened to the limit stop?
- Have the connection hoses been properly connected? (Observe flow direction arrows, drinking water inlet at the non-return valve of the unit)
- Has the flushing water hose been routed separately to the sewage system and connected in compliance with local standards? (See Installation)

7 Start-up

1. Operating the controller

Keypad



Function of keys

	Confirms entries
	Moves the cursor, modifies input values
	Moves the cursor
	The Turn page button toggles between the Operating and Selection displays

Operating display

	Display alternates between showing the day of the week and the time of day and the remaining capacity in litres.
	In Programming mode, the following items flash: 1 = Monday 2 = Tuesday 3 = Wednesday ...

7.2 Factory settings

Operating range	tP1 = 1-2 residential units
Automatic backwash after 96 hours if remaining capacity is not 0	
Multi C 1000	900 l
Multi C 2000	1800 l
Multi C 3000	2400 l
Multi C 7000	6000 l

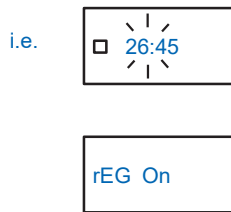
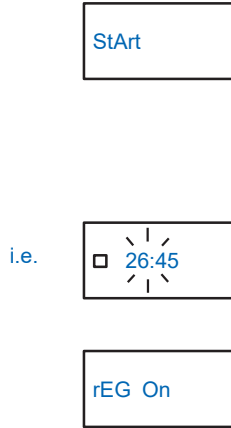
7.3 Start-up backwashing

- Insert mains plug.
- Water supply must remain closed.
- The display shows StArt and then alternates between the capacity and day of the week (1-7) / time.
- Allow basic fixing to finish (approx. 40 sec.) The running noise stops.
- An automatic backwashing starts.
- Slowly open the water supply to set the unit under pressure.

The display alternates between:

- remaining backwashing time in minutes (with a flashing symbol)
- rEG On

At the end of the backwashing the flushing water must look clear. If it does not look clear, repeat the backwashing.



7.4 Repeat backwashing

Press OK about 4 sec. until the backwashing starts.



The display alternates between:

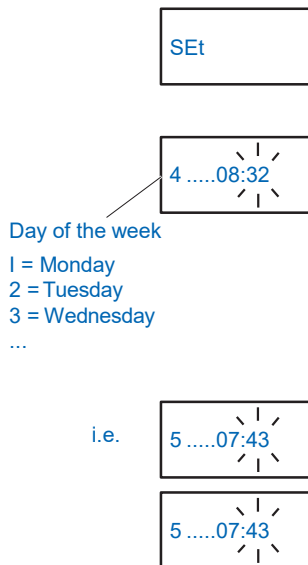
- remaining backwashing time in minutes (with a flashing symbol)
- rEG On

7.5 Setting time and day

Press Browse



Flashing digits can be changed



Changes the numbers

Moves the cursor

Set day of the week

Press Browse

Press OK

The programming is complete.

The unit is ready.

SEt



Press the Browse button

507:43



Press the OK button



Press the down arrow buttons

1.800



Press the OK button

1.850



Use the up/down arrow buttons to set the capacity (in Liters).

3.000



Press the OK button



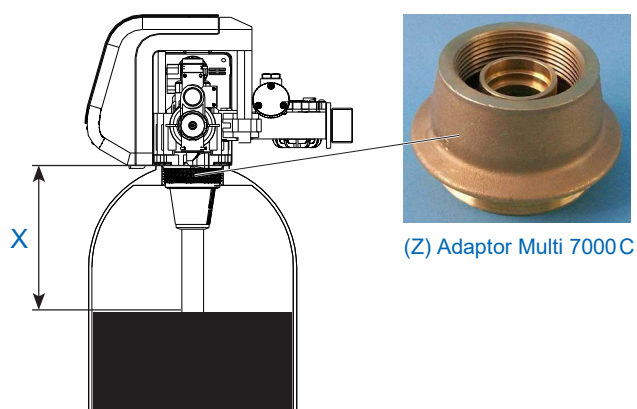
Press the Browse button

The programming is complete.

8 Replace filter material

1. Detach hoses from control valve
2. Detach control valve from pressure tank
3. Unscrew Adaptor Z (only Multi 7000)
4. Empty filter tank
5. Place central tube into tank
6. Cover central tubes upper end
NOTE: No activated carbon or gravel must fall into the central tube!
7. Fill gravel (not for Multi 1000)
8. Fill activated carbon until clearance X is reached

	Clearance X
Multi C 1000	140 mm
Multi C 2000	235 mm
Multi C 3000	300 mm
Multi C 7000	300 mm



9. Lubricate O-ring (Use the enclosed O-ring lubricant)
10. Remove cover from central tube
11. Screw in Adaptor Z (Multi 7000 only)
12. Attach control valve
13. Attach water supply hoses IN (7) and OUT (8) on control valve
14. Carry out backwashing (see initial start-up)

Filter is ready for use again

9 Operator's responsibilities

You have purchased a durable and service-friendly product. However, this also entails obligations. For a perfect function you must ensure:

- Intended operation.
- Regular inspections and service work.

Changes in the water quality may have to be made in the settings. Prerequisites for the function and safety of the product are inspections, regular inspections (every 2 months) by the operator and a half-yearly (every 6 months) routine maintenance (EN 806-5) of the entire drinking water installation. A further prerequisite for function and warranty is the replacement of wear parts at the prescribed intervals.

1. Intended operation

The intended operation of the product includes commissioning, operation, decommissioning and, if necessary, recommissioning. Proper operation of the product and the drinking water installation requires regular checks, servicing and operation in compliance with the operating conditions used for planning and installation.

2. Controls

(by the operator)

BWT recommends that the operator regularly carries out and logs the following checks:

- Water pressure: If the pressure conditions change, the product settings may also have to be changed.
- Operating condition of the product (soiling).
- Checks whether (error) messages have been issued.
- Tightness.

9.3 Inspection

(by the operator)

Inspection activity	Interval
Check contamination of filter material	Every 2 months
Leak test, visual inspection	Every 2 months

9.4 Maintenance

(by BWT customer service or authorized specialist)

Replacement of wearing parts

The operator must ensure that parts that are subject to wear and ageing during the service life of the product are replaced by a specialist installer. The detailed replacement cycles can be found in the BWT maintenance manual.

Replace filter filling	when the water pressure drops downstream the filter. At least every 24 months respectively after a water flow of 75/200/300/700 m ³ (Multi 1000/2000/3000/7000)
------------------------	---

	Filter gravel	Bewasorb K111
Multi C 1000	–	1 bag (8 kg / 16 litres) TRS 1911238, BWT 6-630047
Multi C 2000	1 bag (6 kg / 4 litres) TRS 1911239, BWT 2-307105	2 bags (16 kg / 32 litres) TRS 1911238, BWT 6-630047
Multi C 3000	1 bag (6 kg / 4 litres) TRS 1911239, BWT 2-307105	3 bags (24 kg / 48 litres) TRS 1911238, BWT 6-630047
Multi C 7000	1 bag (25 kg / 16.5 litres) TRS 1911239, BWT 2-307105	6 bags (48 kg / 96 litres) TRS 1911238, BWT 6-630047

We recommend that you enter into a maintenance agreement with your installer or the after-sales service team.

9.5 Cleaning





Plastic parts must only be cleaned with a soft, damp cloth; do not use any solvents, detergents or acid cleaners.

EN 10 Troubleshooting

Fault	Cause	Rectification
Unit is not providing water or too low a flow rate.	Primary pressure too low.	Increase primary pressure (adjust pressure reducer if required) and activate manual regeneration.
Dyed flushing water during the start-up.	Abrasion particles of the exchanger resin.	Repeat start-up flushing.

If the fault cannot be rectified with this troubleshooting guide, our customer service team must be contacted, providing information of the series and production number (see type label of the unit).

10.1 Service notification

	When the litre display begins to flash, it is time for a service, because 150 regenerations are reached. Please contact customer service.
	Motor position error Please contact customer service.
	Error with power monitoring of the magnetic valves Please contact customer service.
	Storage error Please contact customer service.

11 Warranty

If the product malfunctions during the warranty period, contact your contract partner, the installation company, and quote the unit type and production number (see technical specifications or the type plate on the unit).

Non-compliance with the installation conditions and the operator responsibilities leads to the loss of warranty and exclusion of liability.

The wearing parts defined in the "Operator responsibilities" section and the consequences of failing to replace these parts on time are not covered by the two-year legal warranty.

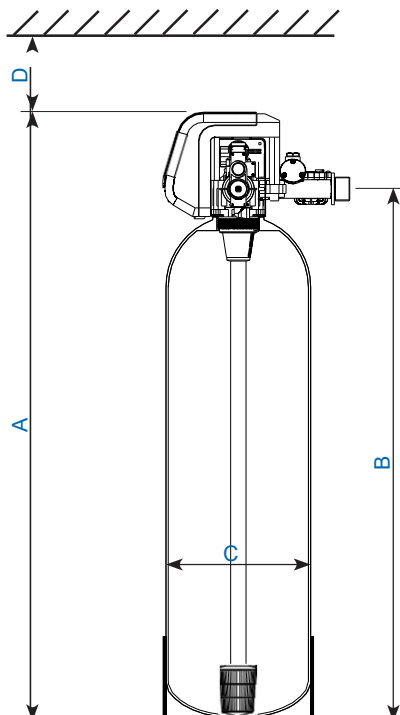
12 Technical specifications

BWT Multi C	Typ	1000	2000	3000	7000
Nominal connection width	DN	32 (1¼" male thread)			
Max. flow	m³/h	1	2	3	5
Nominal flow	m³/h	0,6	1	1,5	2,5
Nominal pressure (PN)	kPa	1000			
Operating pressure min/max ¹⁾	kPa	250 - 1250			
Capacity	l	1000	1800	2400	6400
Service interval	m3	75	200	300	500
Flushing water flow at 4 bar	l/min	7,5			60
Backwashing time	min	7			
Water- / ambient temperature, max.	%	50			
Humidity		non condensing			
Reduction of Chlorine at nominal flow, min.	°C	30 / 40			
Mains power	V/Hz	230 / 50-60			
Unit Voltage	V~	18			
Energy requirement	W/h	15			
Protection class		IP54			
Filter gravel, 1-2 mm	Litre	-	4	4	14
Filtermaterial	Litre	8	26	32	96
Operating weight, approx.	kg	13	55	70	180
Production number	PNR	6-315077	6-315078	6-315079	6-315076
Reece order number	TRS	1911069	1911070	1911071	1911068

¹⁾ Operating Pressure in accordance with ATS 5200.103-2004: 250 – 1250 kPa
 Operating Pressure Recommended by BWT: 250 – 800 kPa

12.1 Dimensions

BWT Multi C	Typ	1000	2000	3000	7000
Height	A	625	1080	1280	1820
Connector height	B	485	940	1145	1750
Diameter of tank	C	208	254	254	406
Clearance	D	500	800	800	800



EN 13 Decommissioning and disposal



13.1 Decommissioning

The product may only be shut down and dismantled by qualified specialists.

Observe all applicable safety regulations when dismantling the system.

13.2 Disposal

NOTICE

- ▶ The product must not be disposed of with household waste.
- ▶ At the end of the product's life cycle, ensure that it is properly disposed of or recycled.
- ▶ Observe the legal disposal guidelines for the country in which the product is used.
- ▶ The following materials are used in the product: metal, plastic, electronic components.

Disposal of transport packaging

Returning the packaging into the material cycle saves raw materials and reduces the amount of waste. Your dealer will take the packaging back.

Disposal of the old device

Do not dispose of your old appliance with household waste. Use the official collection and return points for the return and recycling of electrical and electronic equipment at local authorities or dealers. You are legally responsible for deleting any personal data on the old device to be disposed of.

Disposal of used batteries

Batteries must never be disposed of with household waste. Used batteries that are not firmly enclosed by the device must be removed and disposed of at a suitable collection point (e.g. retail outlet), where they can be handed over free of charge.

Disposal of used filter material

Disposal of used filter material must be made according to official regulations.

BWT MULTI 1000 C -AUS-
PNR 6-315077

Netzanschluss / Schutzart 230V 50/60Hz / IP53
Power supply / Degree of protection

Anschlussleistung max. 20 W
Power max.

Nenndruck PN 10
Nominal pressure

Anschlussnennweite DN 32
Nominal connection width

Nenndurchfluss 0,6 m³/h
Nominal Flow Rate






Kapazität 1000 Liter
Nominal capacity

Wasser-/ Umgebungstemp. min/max
Water-/ ambient temperature mini/max.

Arbeitsbereich 2 - 8 bar
Operating range


For further information please
visit www.reece.com.au

TNR / SNR 2-615862 / DUMMYCHARGE

BWT - For You and Planet Blue

BWT Wassertechnik GmbH, Industriestr. 7, D-69198 Schriesheim
Telefon: +49(0)620373-0, E-Mail: bwt@bwt.de
www.bwt-group.com



14 Type label

The type label serves as product identifier. In case of any requests, please have the following information ready:

1	Device name
2	Production number / Order-no.
3	Serial number / Year of manufacture

Note: The type label is an official document and must not be altered or stripped off. Damaged or unreadable type labels have to be replaced.

(Exemplary illustration of type plate)

Further information:

Reece. Works for you.™

Call **18000 032 566** or visit
www.reece.com.au for your
nearest Reece store.

Due to limitations in the printing process
the colours in this brochure are a guide
only.

The manufacturer/distributor reserves
the right to vary specifications or delete
models from their range without prior
notification. The manufacturer/distributor
takes no responsibility for printing errors.

www.reece.com.au

