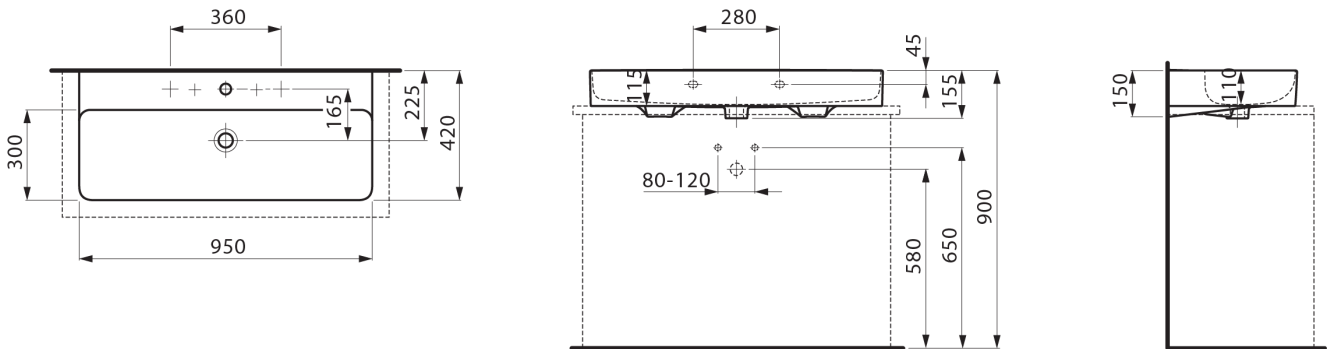


LAUFEN Val Wall / Counter Basin Only 2 Taphole with Overflow 950x420 White

9510149

SPECIFICATIONS	
Recommended Use	Domestic, Hotel & Commercial
Material	SaphirKeramik
Basin Colour	White
Bowl Capacity	16.6 ltr
Weight	18.5 kg
Taphole Configuration	2 Taphole
Overflow Configuration	Integrated Overflow
Plug & Waste	Sold Separately
Tapware	Sold Separately
WARRANTY	
Warranty - Domestic Use	15 Years
Spare Parts & Labour	12 Months
<i>Please refer to Warranty Page for full Terms and Conditions</i>	



Dimensions are nominal measurements only.

CLEANING RECOMMENDATIONS:

We recommend the use of soapy water or approved cleaners. This product should not be cleaned with abrasive materials. Damage caused by any improper treatment is not covered by the product warranty. Refer to Warranty Conditions

Disclaimer: Products in this specification manual must by regulation be installed by licensed and registered trade people. The manufacturer/distributor reserves the right to vary specifications or delete models from their range without prior notification. Dimensions are nominal measurements only. Dimensions and set-outs listed are correct at time of publication however the manufacturer/distributor takes no responsibility for printing errors.

Published 06/12/2022

To see the complete LAUFEN range go to www.reece.com.au