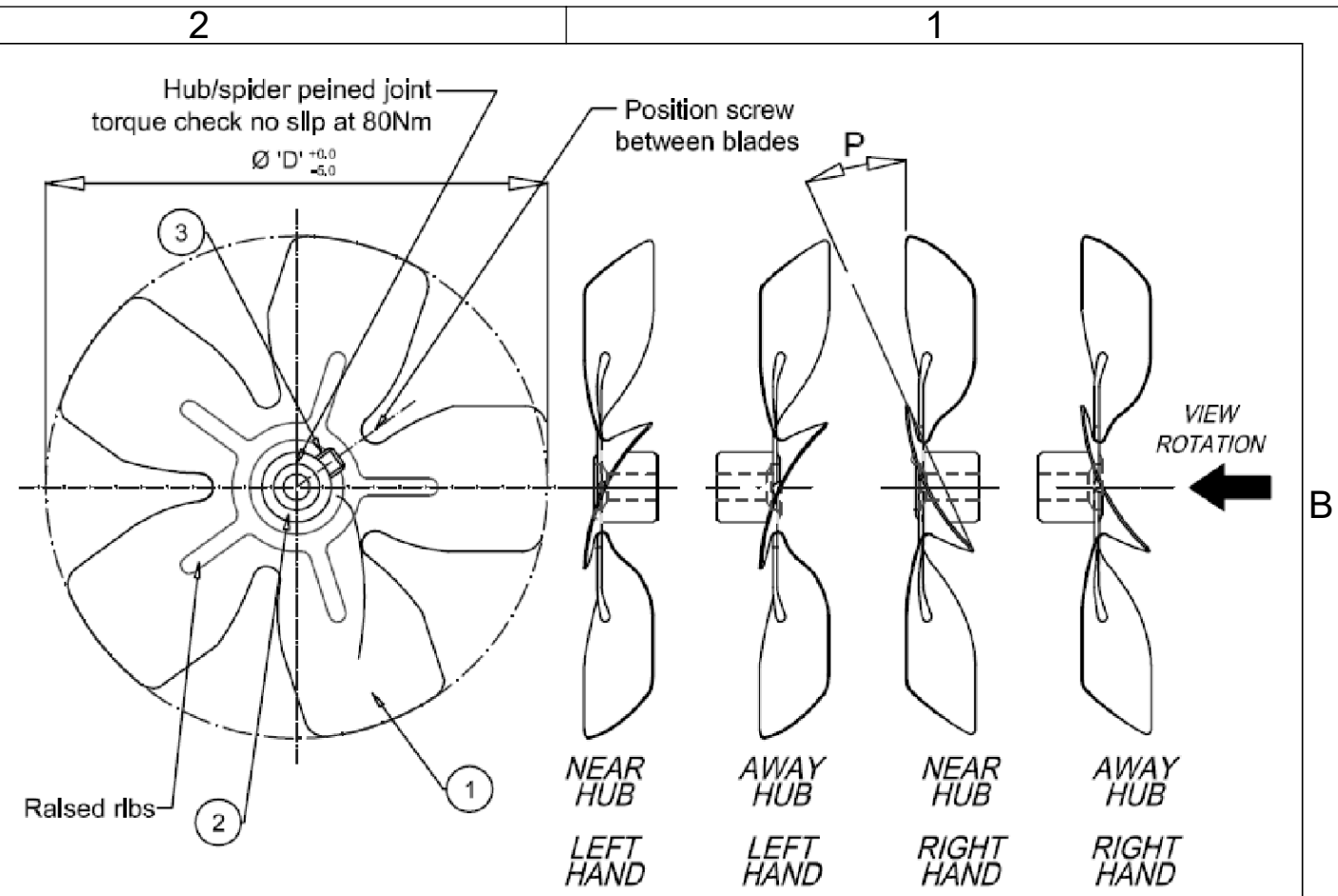


Part number	Ø	HUB POSN	HAND	PITCH P	HUB BORE	AXIAL RUNOUT TIR MAX	POWDER COAT	HUB (2)	QTY	BLADE (1)	QTY	SCREW (3)	QTY
PU5-178W10R00AA	178	---	RIGHT	10°	---	1.5	---			M3100-178-10R	1		
PU5-178W15R00AA	178	---	RIGHT	15°	---	1.5	---			M3100-178-15R	1		
PU5-178A20R05AA	178	AWAY	RIGHT	20°	5/16"	1.5	---	M2083-56	1	M3091-152	1	M2062-22	1
PU5-178N20R05AA	178	NEAR	RIGHT	20°	5/16"	1.5	---	M2171-05	1	M3102-178-20R	1	M2062-2	1
PU5-178N20R56AA	178	NEAR	RIGHT	20°	6mm	1.5	---	M2171-56	1	M3102-178-20R	1	M2062-22	1
PU5-178W20L00AA	178	---	LEFT	20°	---	1.5	---			M3100-178-20L	1		
PU5-178W20R00AA	178	---	RIGHT	20°	---	1.5	---			M3100-178-20R	1		
PU5-178W25R00AA	178	---	RIGHT	25°	---	1.5	---			M3100-178-25R	1		
PU5-178A30R05AA	178	AWAY	RIGHT	30°	5/16"	1.5	---	M2171-05	1	M3102-178-30R	1	M2062-2	1
PU5-178N30R05AA	178	NEAR	RIGHT	30°	5/16"	1.5	---	M2171-05	1	M3102-178-30R	1	M2062-2	1
PU5-178W30L00AA	178	---	LEFT	30°	---	1.5	---			M3100-178-30L	1		
PU5-178W30R00AA	178	---	RIGHT	30°	---	1.5	---			M3100-178-30R	1		
PU5-178N40R05AA	178	NEAR	RIGHT	40°	5/16"	1.5	---	M2171-05	1	M3102-178-40R	1	M2062-2	1
PU5-178A40R58AA	178	AWAY	RIGHT	40°	8mm	1.5	---	M2171-58	1	M3102-178-40R	1	M2062-2	1
PU5-178W40R00AA	178	---	RIGHT	40°	---	1.5	---			M3100-178-40R	1		



Remarks :

1. Check rotation by facing air discharge
2. Permissible radial runout 1.8 TIR max
3. Permissible axial runout see chart

Item	MIC	Description	Date

COPYRIGHT (PER REVISION DATE) REGAL BELOIT MALAYSIA SDN. BHD. ALL RIGHTS RESERVED. PROPRIETARY AND CONFIDENTIAL INFORMATION - THIS DOCUMENT IS THE PROPERTY OF REGAL BELOIT MALAYSIA SDN. BHD. ("OWNER") AND CONTAINS OWNER'S PROPRIETARY INFORMATION. ANY PERSON, CORPORATION OR OTHER FIRM RECEIVING IT IS DEEMED, BY RECEIVING IT, TO AGREE THAT IT, AND/OR ANY PART OF IT, SHALL NOT BE DISCLOSED TO ANY PERSON, CORPORATION OR OTHER ENTITY, DUPLICATED, AND/OR USED, EXCEPT AS EXPRESSLY APPROVED IN WRITING IN ADVANCE BY OWNER. THIS DOCUMENT SHALL BE RETURNED TO OWNER UPON REQUEST. IT MAY BE SUBJECT TO CERTAIN RESTRICTIONS UNDER APPLICABLE EXPORT CONTROL LAWS AND REGULATIONS.

TOLERANCES (EXCEPT AS NOTED): REFER TO ISO 2768 T1 / v	DRAWN BY HAZMER	REGAL ® Regal Beloit Malaysia Sdn. Bhd.
	DATE 2020.03.24	
REMOVE BURRS & BREAK SHARP EDGES: ALL DIMENSION IN mm	APPROVED BY MICHAEL CHAI	DESCRIPTION 5 BLADE PROPELLER FAN
	DATE 2020.03.24	MATERIAL PROCESS/FINISH
THIRD ANGLE PROJECTION	REFERENCE R	SIZE B
	DRAWING NUMBER PU5-178etc	SHEET 1 OF 1