

# CENTURION DISABLED PAN

2.05

TOILETS

#PCD / CENTURION DISABLED PAN



WELS REG#  
P Trap: L06697  
S Trap: L06698



N.B: All Britex disabled and ambulant toilet pans are supplied with our Vandal Resistant Closed Front Toilet Seat (black colour unless otherwise specified) to comply with AS1428 Disability Code.

## features and benefits

- WELS and WaterMark certified
- Disability code AS1428 compliant
- Available with S or P trap
- Concealed fixings
- Unique blockage resistant trap
- Safety radius front edges
- Left and right access panels
- Free of ligature points
- Optional backrest - as required by AS1428
- Option for permanently sealed access panels (maximum security projects)
- Option for 'Ambulant' model (raised height only)
- Suits detention facilities and public amenities

## about

The *BRITEX Centurion Disabled Toilet Pan* is fully shrouded and manufactured from heavy gauge 304 satin S.S. making it easy to clean and providing optimal strength. Designed to conform to Australian Standard for disability access - AS1428, the Centurion Disabled Toilet Pan is supplied with a Vandal Resistant Closed Front Toilet Seat (colour to be nominated). Incorporating radius edges for added safety, a pressed internal bowl and unique trap design, the Centurion Disabled pan is extremely water efficient (4.5/3 litre) and much less susceptible to costly blockages in public amenities. Access panels come standard on both sides of the pan for easy installation and a toilet seat can be fitted if required. WaterMark and WELS certified as required by plumbing regulations and government legislation. A vandal resistant Stainless Steel Backrest as required by AS1428:2009 is optional.

## sample spec. text

*BRITEX S.S. Centurion Disabled Toilet Pan - 4\* WELS rating and WaterMark certified. S/P Trap, 14mm safety radius front edge, fully shrouded to rear wall and 2 x access panels. Supplied complete with black vandal resistant toilet seat code SVRC-B. AS 1428 compliant - Product Code PCDX*

\*RED TEXT may denote a variable where one option only is to be selected, a nominal dimension that needs to be specified, or an optional feature that can be removed if not required. Please refer to the back of this page for additional specification details and options.

VISIT [BRITEX.COM.AU](http://BRITEX.COM.AU) TO DOWNLOAD BIM FILES, CAD DRAWINGS AND THE MOST CURRENT PRODUCT LITERATURE.



**MELBOURNE**  
Britex Place, Mirra Crt  
Bundoora VIC 3083  
t (03) 9466 9000  
f (03) 9466 9011

**SYDNEY**  
16 Northumberland Drv  
Taren Point NSW 2229  
t (02) 9531 2100  
f (02) 9531 2800

**PERTH**  
Unit 1/8 Principal Link  
Malaga WA 6090  
t (08) 9249 5464  
f (08) 9248 6893

**BRISBANE**  
19 Manilla St  
East Brisbane QLD 4169  
t (07) 3363 2400  
f (07) 3363 2444

**ADELAIDE**  
The Britex Group  
SA State Office  
t 1300 764 744  
f 1300 784 306

[britex.com.au](http://britex.com.au) | [info@britex.com.au](mailto:info@britex.com.au) | A.B.N 83 004 309 737

# CENTURION DISABLED PAN

PRODUCT CODE

**PCDS** S Trap Model

**PCDP** P Trap Model

## MAXIMUM SECURITY MODEL AVAILABLE

Add '-MS' to the end of the above product codes to specify a maximum security, rear access only model supplied with permanently sealed side access panels.

## Suggested Toilet Seat Options:

(see Toilet Seats: 2.18 for complete range of options)



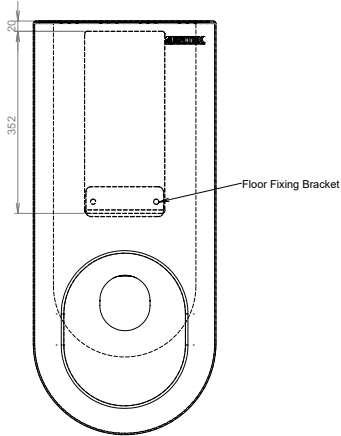
**SVRC-B**  
Vandal Resistant  
Closed Front  
Toilet Seat - BLACK



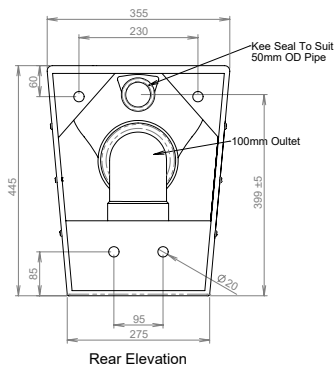
**SVRC-W**  
Vandal Resistant  
Closed Front  
Toilet Seat - WHITE



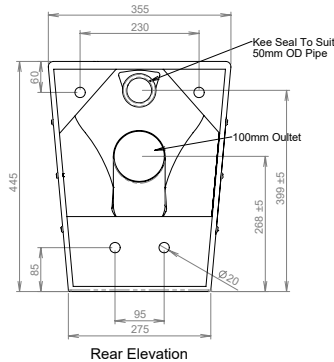
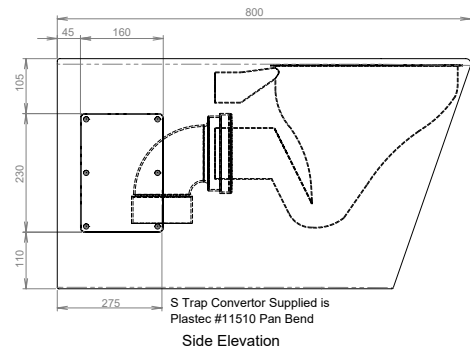
**SVRC-N**  
Vandal Resistant  
Closed Front  
Toilet Seat - NAVY



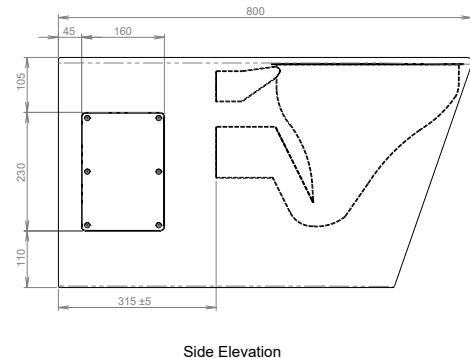
MODEL PCDS / PCDP Plan



MODEL PCDS Side and Rear Elevation



MODEL PCDP Side and Rear Elevation



When specifying this product please include:



- Product Name and Code
- Product Dimensions
- Product Features / Options
- P or S Trap
- Seat Model (if required)



- Toilet Seat see p 2.18
- Backrest - as required by AS1428 see p 2.19
- S or P trap configurations
- Top entry to suit wall mount cistern
- Britex Cistern - see Flushing Section:3
- Permanently sealed access panels for maximum security projects
- Custom material thickness - consult BRITEX

VISIT [BRITEX.COM.AU](http://BRITEX.COM.AU) TO DOWNLOAD BIM FILES, CAD DRAWINGS AND THE MOST CURRENT PRODUCT LITERATURE.

Last Revised 2020



Due to ongoing research and our commitment to product development, details are subject to change without notice. Details accurate at time of print. Please refer to [britex.com.au](http://britex.com.au) for the most current product information. Allow +/- 5mm tolerance for dimensions and setouts shown in product literature.

[britex.com.au](http://britex.com.au) | [info@britex.com.au](mailto:info@britex.com.au) | A.B.N 83 004 309 737

