

# SCALA2

ALL-IN-ONE, SELF-PRIMING BOOSTER WITH INVERTER TECHNOLOGY

Approved for  
Drinking Water  
AS/NZS 4020 ✓

2  
YEAR  
WARRANTY

## WATER SOURCE



Above  
Pump Level



Below  
Pump Level



Mains  
Water

## APPLICATION



Household  
Water



Irrigation



Mains  
Boosting\*



- Inverter technology delivers **perfect pressure to all taps**
- Suitable for pumping from **water sources above and below the level of the pump**, including from below ground tanks
- Intelligent controller allows for **pressure adjustment at the touch of a button**
- Very **quiet operation** that won't disturb your family or neighbours
- Tough **weather resistant outer casing** houses the pump, motor and the controller
- **Easy installation – plug & pump** – Simply connect to the pipework, prime the pump, plug into a power outlet and you're ready to pump

47 dB Max.

**LOW NOISE**



## PUMP CONTROL & PROTECTION FEATURES



### ANTI-CYCLING PROTECTION

The pump will be stopped and alarm activated if it repeatedly turns on and off over a short period of time (called 'cycling'), which could indicate a leaking pipe or dripping tap.



### DRY-RUN PROTECTION

The pump will be stopped if no water is detected at the inlet, preventing internal damage and protecting your motor from damage.



### AUTO START/STOP

The pump will automatically start and stop when outlets (eg: taps) are turned on or off.



### GRUNDFOS EYE

Provides dynamic pump status operator feedback such as: power on, pump running and any alarms or faults.

\* Subject to local legislation

be  
think  
innovate

GRUNDFOS

## PROTECTED INSTALLATION RECOMMENDED

To maximise the life of your Grundfos pump, it is important to shield it from harsh weather conditions. Undercover installation protects the pump from:



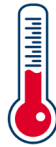
**HEAVY RAIN**



**DIRECT SUNLIGHT**



**FREEZING OR FROSTY CONDITIONS**

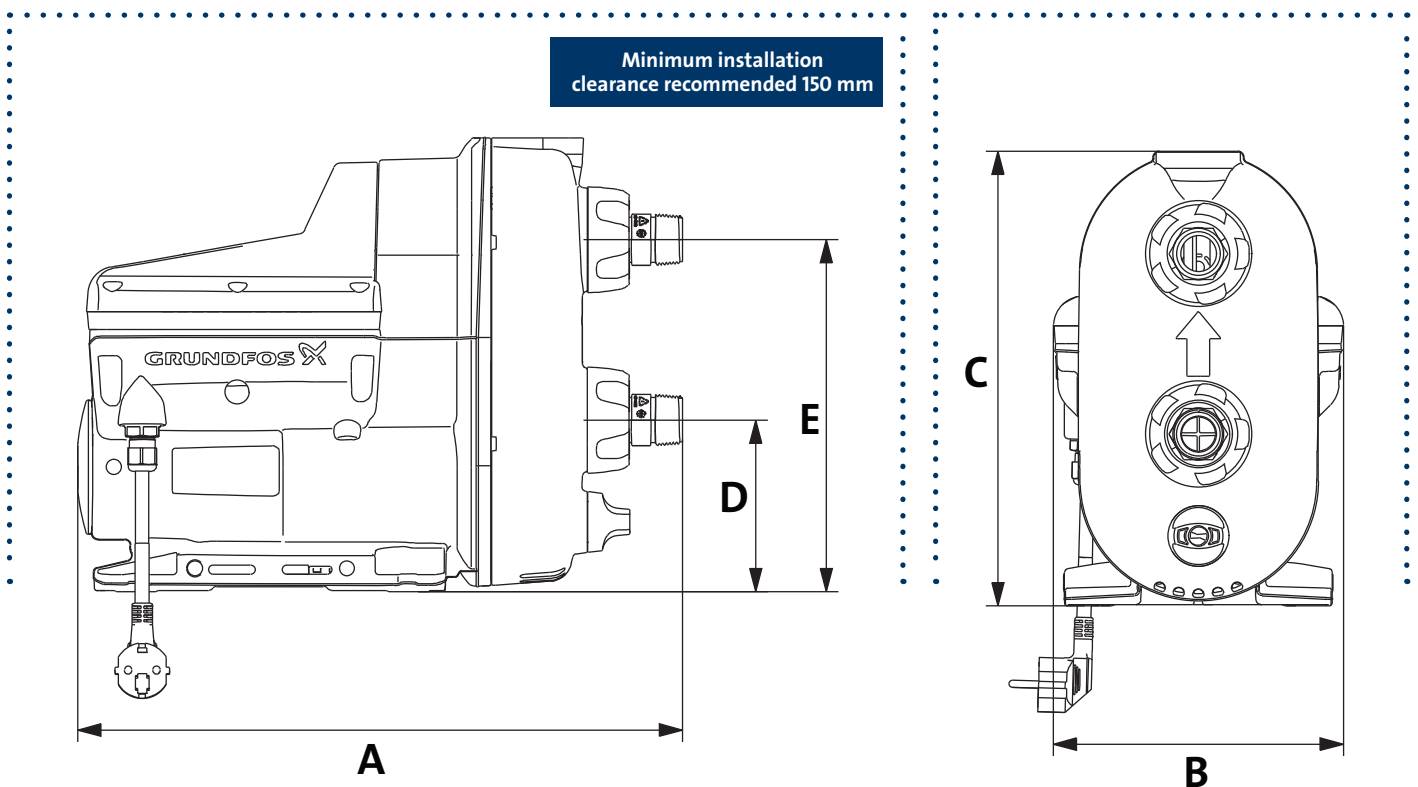


**HIGH TEMPERATURE**



KEEP THE PUMP WELL VENTILATED TO PREVENT OVERHEATING

## FIND SPACE FOR YOUR PUMP



Model	Connections		Dimensions (mm)				
	Inlet	Outlet	A (l)	B (w)	C (h)	D (inlet)	E (outlet)
SCALA2	1" Male	1" Male	403	193	302	114	234