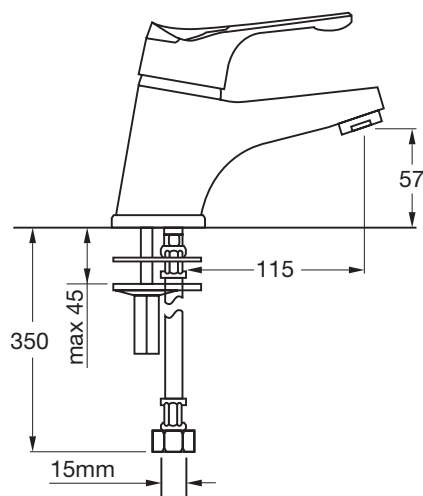


# POSH

## SOLUS BASIN MIXER



### SPECIFICATIONS

<b>Recommended use</b>	Domestic, hotel and commercial.
<b>Colour availability</b>	Chrome.
<b>Pressure rating</b>	Minimum operating pressure 7,25 psi / 50 kpa Maximum operating pressure 145 psi / 1000 kpa  Note: As per AS3500 pressure must be limited to 500 kpa on any new home, extension or renovation, and any tapware fitted with flow restrictors must be limited to 500 kpa  Note: For best performance and longer life we recommend 350-500 kpa
<b>Temperature rating</b>	Maximum hot temperature 80° (recommended 65°) Minimum temperature 1°
<b>WELS</b>	Stars: 4 Flow rate: 7.5 L/min
<b>Handles available</b>	Standard (115mm), 150mm & 200mm
<b>Suitable Hot Water Units</b>	Storage tank: Yes Continuous Flow: Yes Gravity Feed: Low Pressure model is recommended
<b>Warranty (See below)</b>	Body & Finish: 12 months Cartridge: 5 years
<b>Standards</b>	AS 3718:2005



To see the complete Posh range go to [www.reece.com.au/bathrooms](http://www.reece.com.au/bathrooms)

### CLEANING RECOMMENDATIONS

This bathroom product should not be cleaned with abrasive materials eg. steel wool/scourers. Do not use any corrosive or abrasive cleaning agents containing acids or scouring agents. Bleaches can also discolour products and therefore should not be used. Damage caused by any improper treatment is not covered by the product warranty- refer to Warranty Conditions on the last page.



**Disclaimer:** Products in this specification manual must by regulation be installed by licensed and registered trade people. The manufacturer/distributor reserves the right to vary specifications or delete models from their range without prior notification. Dimensions and set-outs listed are correct at time of publication however the manufacturer/distributor takes no responsibility for printing errors.

Tech Page Version 2

Posh

reece

# POSH

## SOLUS BASIN MIXER

### INSTALLATION INSTRUCTIONS

#### Note:

When a Gravity Feed hot water unit will be used in conjunction with this mixer, it is recommended that the low-pressure model be installed.

#### Note:

Mixer must be installed by a qualified plumber.

#### Important

Your mixer comes to you already factory assembled and tested. We do not recommend the dismantling of any internal part of the mixer. The mixers are factory tested and sealed so as to give the best performance.

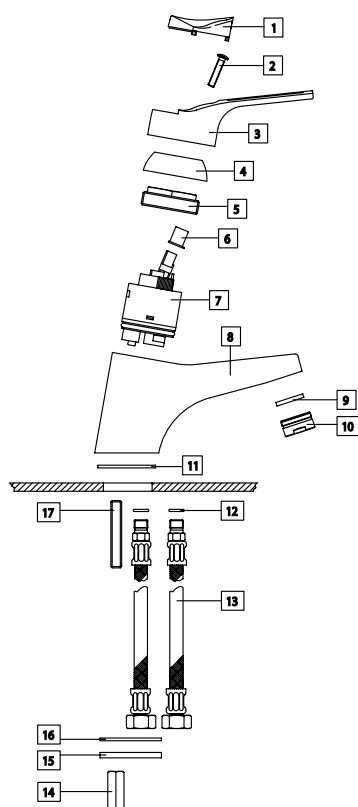
1. Please flush out new pipe work prior to connecting the new mixer.
2. All mixers should be installed with isolating stop cocks (Arco).
3. In some areas where the incoming water exceeds 500kpa, an approved pressure limiting device must be installed. Equal pressure for hot and cold water supply is required for this single lever mixer.
4. Mixers are recommended for use on mains pressure and instantaneous systems only. For gravity feed units the low pressure model should be installed.

5. Place the base washer into position (11).
6. Fit the tap body (8) into the basin hole making sure first that the flexible connectors (13) are firmly tightened into base of the body.
7. Do not use teflon tape on threads.
8. From underneath apply your washer (16) prior to positioning the horse shoe plate (15) and hex nut (14).
9. Lock the mixer onto the sink by tightening the hex nut (14).
10. Clean aerator (10) at regular intervals, particularly if you notice a drop in pressure.

### SERVICING-REPLACEMENT OF CARTRIDGE

1. Lift off acrylic indicator cap (1) and unscrew the locking screw (2).
2. Lift off lever (3) and remove dress ring and locking nut (4 & 5).
3. Lift out cartridge (7) and replace with new, making sure the two lugs on bottom of the cartridge sit properly into the allocated holes at the base of the body (8).

### EXPLODED VIEW



Item	Description	Spare Part Code
1	Satin acrylic indicator cap	192031
2	Locking screw	
3	Standard mixer handle	192039
	200mm extended mixer handle	192029
	150mm extended mixer handle	192030
4	Dress ring for cartridge	192033
5	Locking nut for cartridge	
6	Thermal barrier	191825
7	Cartridge	192044
8	Tap Body	
9	Washer for aerator	
10	Aerator	9500382
11	Base washer	
12	Flexible tail o-ring	
13	Hot flexible hose	192034
	Cold flexible hose	192035
14	Hex nut	192047
15	Horse shoe plate	192047
16	Under basin washer	192047
17	Fixing rod	

Plumbers, please ensure a copy of the installation instructions is left with the end user for future reference

Posh

reece

# POSH

## SOLUS BASIN MIXER



### REECE PRODUCT QUALITY GUARANTEE

You have purchased a quality product from Reece Pty Ltd ABN 84 004 097 090 ("Reece"). This product is covered by a 7 year replacement product warranty and a 12 month warranty over spare parts and labour.

#### 7 YEAR WARRANTY – DOMESTIC USE

This warranty covers faults in the product construction, material and assembly. Products which are within 7 years from the date of purchase, found upon inspection by an authorised Reece representative, to be defective in construction, material or assembly, will be repaired or exchanged with an equivalent product free of charge. Replaced items become Reece's property. This warranty also covers any spare parts included under "Manufacturer's Provisions" below.

All replacement products will be available for collection without charge to the customer at the nearest Reece branch to the customer's location, or elsewhere as agreed between the customer and Reece.

#### Labour and Spare Parts

The labour for the replacement of products and spare parts to which this warranty applies will be supplied by Reece or relevant supplier using licensed plumbers engaged by Reece or relevant supplier within 1 year from the date of purchase.

Spare parts other than those listed in the Manufacturer's Provisions above, which are within 1 year from the date of purchase found upon inspection by an authorised Reece representative to be defective in construction, material or assembly, will be replaced free of charge.

#### Warranty Conditions

This warranty will apply only under all of the following conditions:

- The item has been installed by a licensed plumber
- The item has been installed for and subjected to domestic residential use only
- Failure is due to a fault in the manufacture of the product
- Proof of purchase (including the date of purchase) is provided
- The installation of the product is in accordance with the instructions provided

This warranty does not cover products purchased as an ex-display without being fully checked and tested for sale by the manufacturer.

This warranty does not include faults caused by:

- Unsuitable or improper use
- Incorrect installation or installation not in accordance with the instructions provided
- Installation or part installation by the purchaser or any person other than a LICENSED PLUMBER
- Normal wear and tear
- Inadequate or complete lack of maintenance
- Chemical, electrochemical or electrical influences
- Harsh detergents or abrasive cleaners used on product finishes

#### 1 YEAR WARRANTY – COMMERCIAL USE

'Commercial' use is all use other than for normal domestic residential purposes, including use in non-business places as in public buildings, schools, sports centres and in establishments that contain private bathrooms with high frequency of use by many individuals, such as hotels, motels, retirement villages and hospitals.

The Commercial warranty covers this product against manufacturing faults in the construction, material and assembly of both the finished products and any spare parts for a period of 1 year from the date of purchase. Products and spare parts which are found upon inspection by an authorised Reece representative to be defective in construction, material or assembly will be repaired or exchanged free of charge. Replaced items become Reece's property. The labour for the replacement of products and spare parts to which this warranty applies will be supplied by Reece or relevant supplier using licensed plumbers engaged by Reece or relevant supplier. The Warranty Conditions and exclusions which apply to the domestic use warranty also apply to this commercial warranty.

#### EXCLUSIONS

To the fullest extent permitted by law, Reece excludes all liability for damage or injury to any person, damage to any property, and any indirect consequential or other loss or damage.

#### CLAIM PROCEDURE

For all warranty queries customers are to contact the branch where the product was purchased. These details can be found on your purchase invoice.

Our goods come with guarantees that cannot be excluded under the Australian Consumer Law. You are entitled to a replacement or refund for a major failure and for compensation for any other reasonably foreseeable loss or damage. You are also entitled to have the goods repaired or replaced if the goods fail to be of acceptable quality and the failure does not amount to a major failure.

**Don't risk it, use a licensed plumber.™**

Posh

**reece**