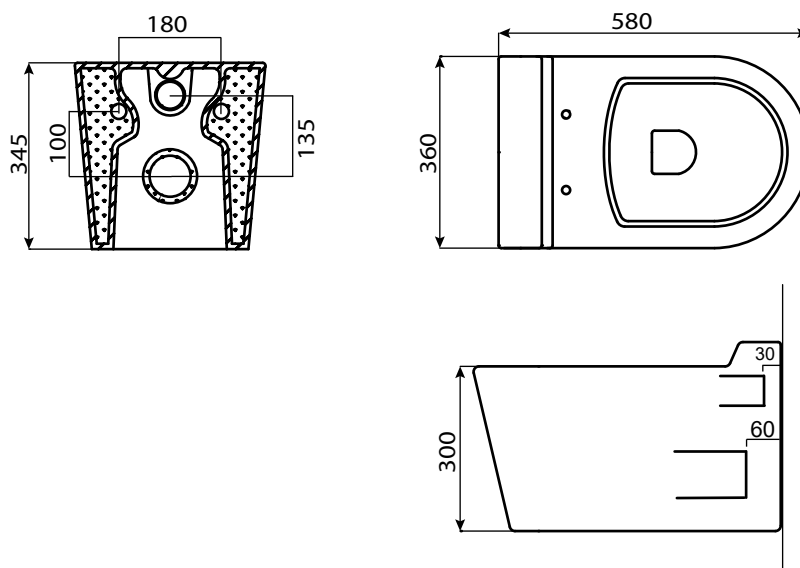


KADO

LUX WALL HUNG PAN



Dimensions are nominal measurements only

SPECIFICATIONS

Recommended Use	Domestic, Hotel and Commercial
Material	Vitreous China
Colour	White
Weight	Pan: 28kg
Seat	Soft close quick release toilet seat Soft close quick release thin toilet seat Non soft close standard seat
Rim Configuration	Box Rim
Bowl Configuration	P Trap only



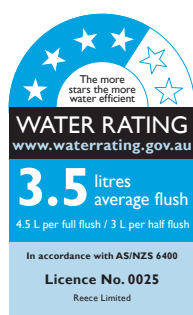
CLEANING RECOMMENDATIONS

We recommend the use of Soapy water or approved bathroom cleaners.

This bathroom product should not be cleaned with abrasive materials.

Damage caused by any improper treatment is not covered by the product warranty. Refer to Warranty Conditions.

To see the complete KADO range go to www.reece.com.au/bathrooms



Disclaimer: Products in this specification manual must by regulation be installed by licensed and registered trade people. The manufacturer/distributor reserves the right to vary specifications or delete models from their range without prior notification. Dimensions are nominal measurements only. Dimensions and set-outs listed are correct at time of publication however the manufacturer/distributor takes no responsibility for printing errors.

Tech Page Version 3



KADO

LUX WALL HUNG PAN

INSTALLATION INSTRUCTIONS

• **Note:** All measurements for roughing in should be taken from the finished wall/floor.

- Once inwall cistern and brackets have been installed as per manufacturer's installation instructions, please implement the following steps to install pan

It is important that frame and bracket system sits flush against back of finished wall.

1. Cut flush pipe and outlet pipe to correct length
2. Ensure inlet and outlet pipe are securely fixed into place prior to installing pan (lubricate kee seal and outlet seal for easier installation).
3. To fit off, carefully align pan onto protruding bolts and inlet and outlet. Secure pan by inserting nylon bushes and tightening the lock nuts (nylon bushes and lock nuts supplied). Rotate eccentric bushes to level the pan.
4. Flush test for leaks.
5. Joint seal pan to wall using silicone.
6. Install soft closing toilet seat.

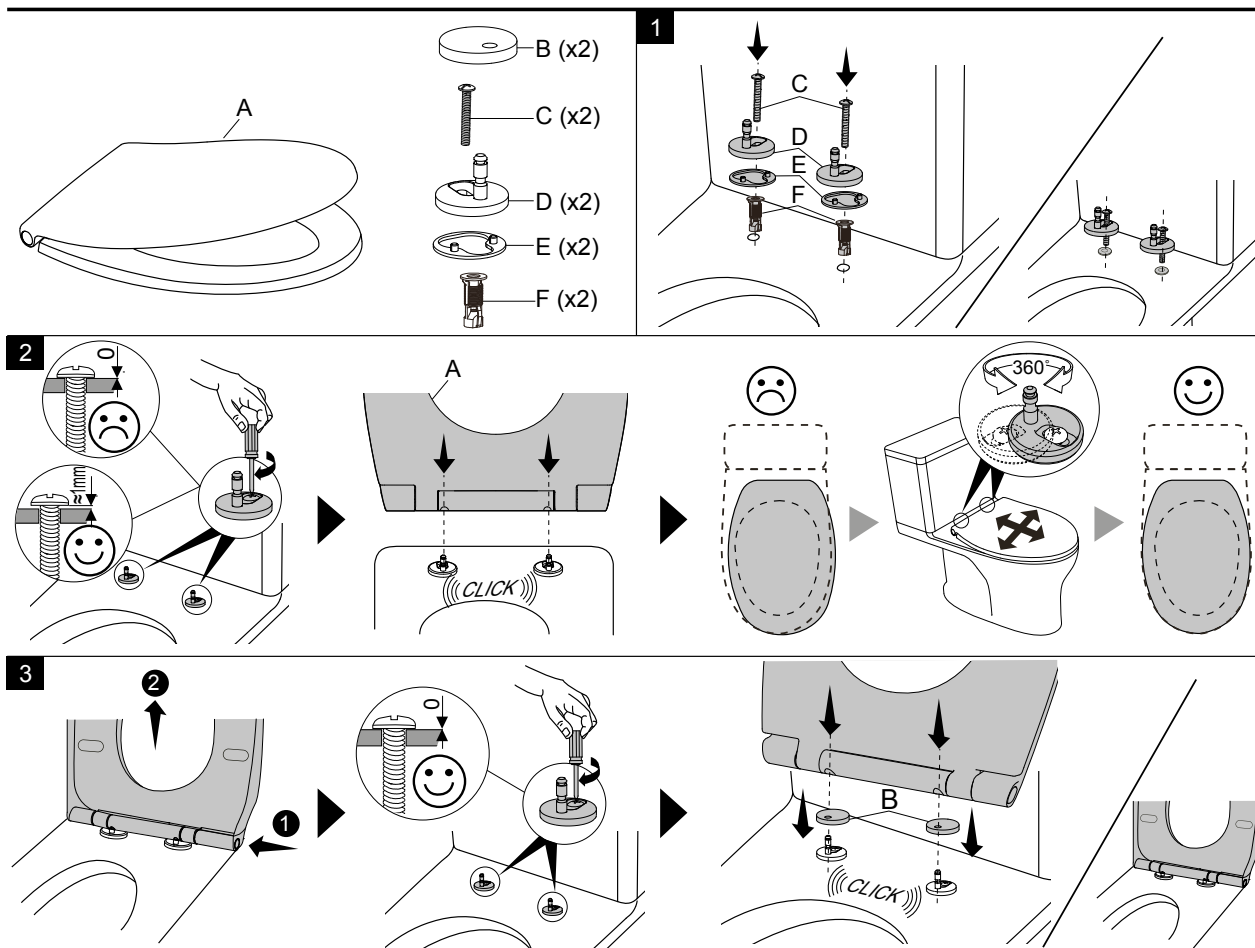
- **Note:** In all circumstances the wall onto which the pan is mounted shall be capable of supporting the pan and load without deflection

KADO LUX WALL HUNG PAN

LUX THIN SEAT INSTALLATION INSTRUCTIONS

Important Note:

Soft close seat and covers can take up to 30 seconds to close. Do not force the closing mechanism as this may result in damage. The fixings of your seat may require re-tightening occasionally depending on use.



SPARE PARTS

Picture	Reece Code	Product Description
	9506341	KADO LUX THIN SEAT BUFFER SET
	9506342	KADO LUX THIN SEAT HINGE SET

Plumbers, please ensure a copy of the installation instructions is left with the end user for future reference

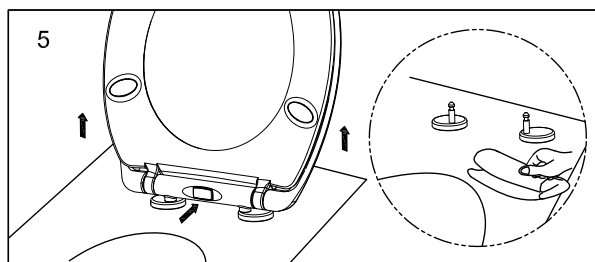
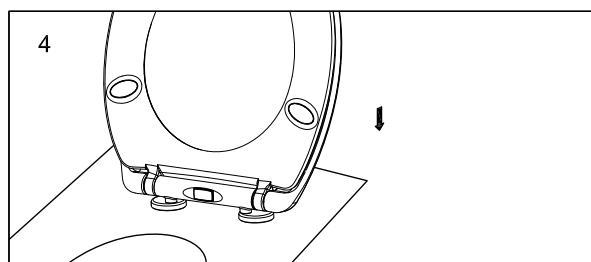
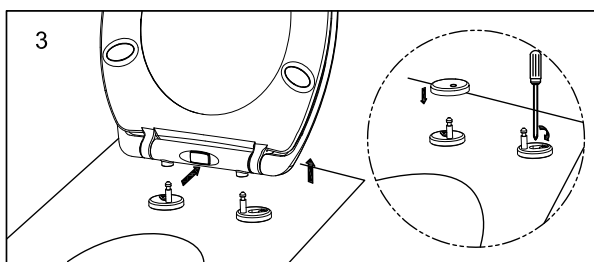
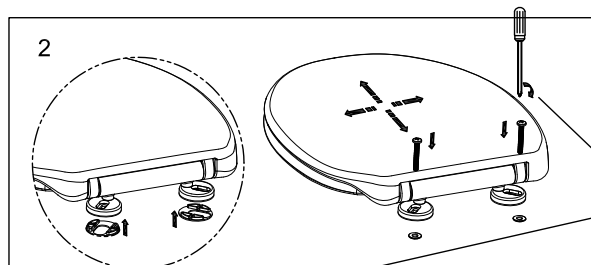
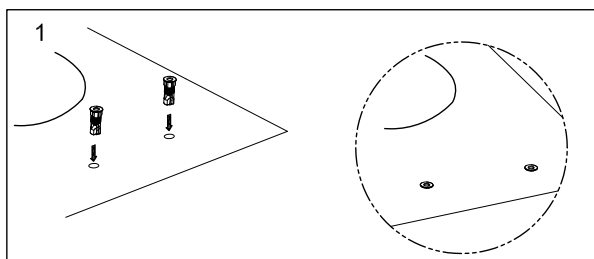
KADO

LUX WALL HUNG PAN

LUX SEAT INSTALLATION INSTRUCTIONS

Important Note:



Soft close seat and covers can take up to 30 seconds to close. Do not force the closing mechanism as this may result in damage. The fixings of your seat may require re-tightening occasionally depending on use.



Top Fixing Installation procedure.

1. Insert the nylon toggles into the hinge holes of the pan.
2. Mount the hinges onto the shaft of the toilet seat.
3. Plug the bolt into the nylon toggle.
4. Align the toilet seat with the pan.
5. Tighten the screws.
6. Push the button to release the seat.
7. Lift the toilet seat.
8. Insert hinge covers over posts.
9. Fix seat into final position.

SPARE PARTS

Picture	Reece Code	Product Description
	9506723	KADO QUICK RELEASE SCS BUFFER SET
	9503294	TOP FIX QUICK RELEASE HINGE SET

Plumbers, please ensure a copy of the installation instructions is left with the end user for future reference

KADO

reece