

mizu

Mizu Soothe Pull Down Sink Mixer (4 Star)

SPECIFICATIONS

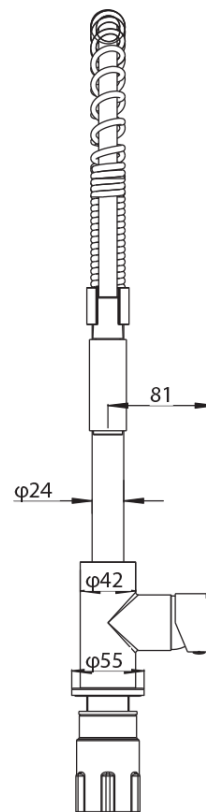
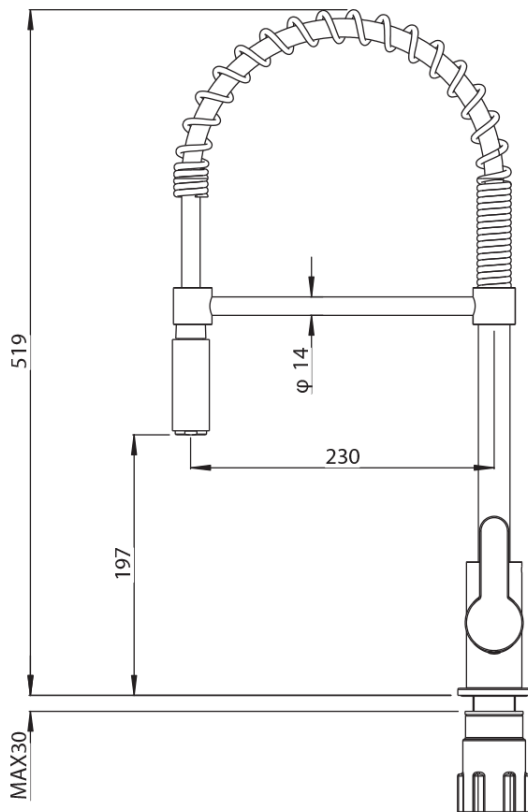
| | |
|--|------------------------------|
| Recommended Use | Domestic, Hotel & Commercial |
| Colour | Chrome |
| Recommended Pressure Range | 150 - 500kPa |
| Max Continuous Working Pressure | 1000kPa |
| Max Continuous Working Temperature | 65°C |
| Suitable for Storage Tank Hot Water | Yes |
| Suitable for Continuous Flow Hot Water | Yes |
| Suitable for Gravity Feed Hot Water | Not Recommended |

Hot and Cold water inlet pressure should be equal

WARRANTY

| | |
|-------------------------|-----------|
| Warranty - Domestic Use | 10 Years |
| Parts & Labour | 12 Months |

Please refer to Warranty Page for full Terms and Conditions



CLEANING RECOMMENDATIONS:

We recommend the use of soapy water or approved cleaners. This product should not be cleaned with abrasive materials. Damage caused by any improper treatment is not covered by the product warranty. Refer to Warranty document.

Dimensions are nominal measurements only.

Disclaimer: Products in this specification manual must by regulation be installed by licensed and registered trade people. The manufacturer/distributor reserves the right to vary specifications or delete models from their range without prior notification. Dimensions are nominal measurements only. Dimensions and set-outs listed are correct at time of publication however the manufacturer/distributor takes no responsibility for printing errors.

Published 19/02/2021

