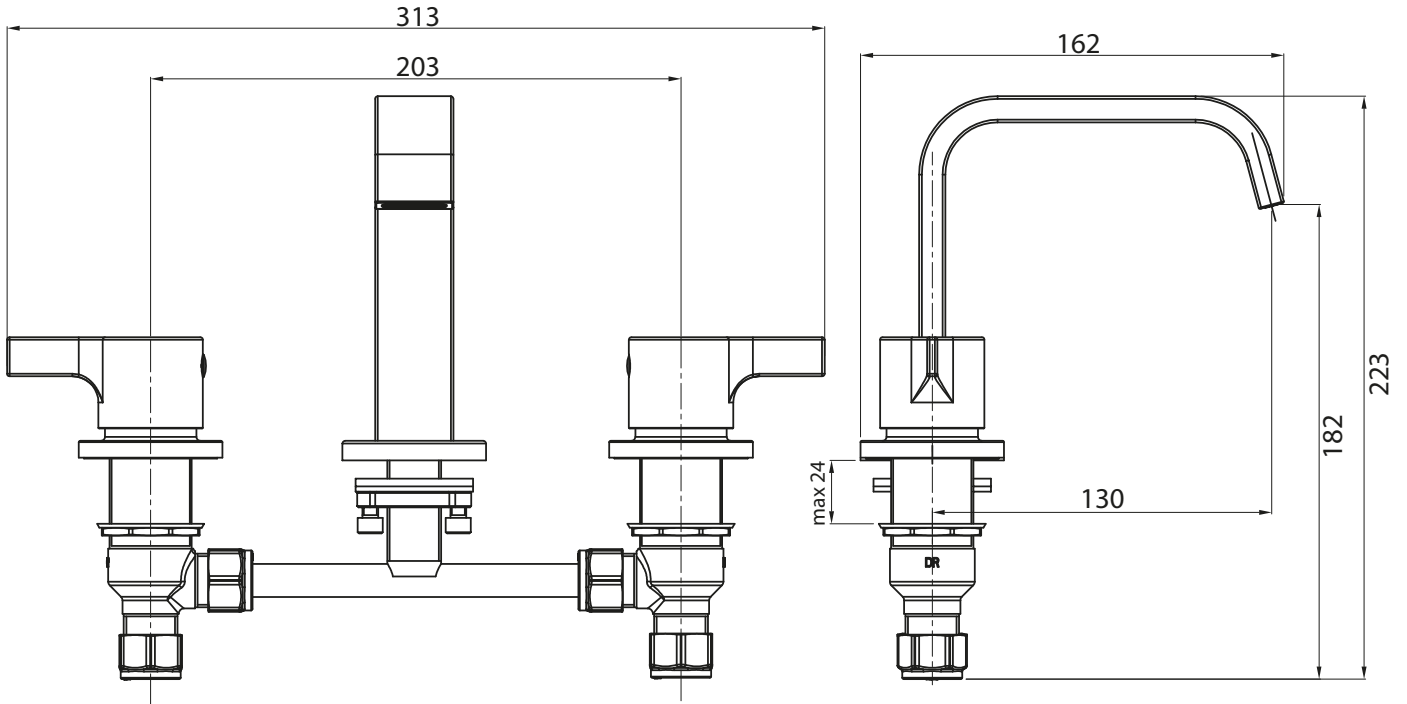


m i z u

STREAM BASIN SET CHROME



Dimensions are nominal measurements only.

SPECIFICATIONS

| | | |
|---------------------------------|---|------|
| Recommended Use | Domestic, Hotel & Commercial | |
| Colour | Chrome, Matte Black or Brushed Nickel | |
| Pressure Rating | Maximum continuous operating pressure 1000kPa. | |
| | For best performance and longer life we recommend 150-500kPa. | |
| | Hot and cold water inlet pressure should be equal. | |
| Temperature Rating | Maximum Continuous Working Temperature | 65°C |
| Suitable Hot Water Units | Storage Tank | Yes |
| | Continuous Flow | Yes |
| | Gravity Feed | Yes |
| Cartridge Type | Ceramic Disc | |



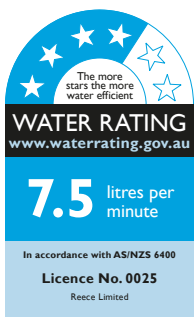
To see the complete MIZU range go to www.reece.com.au/bathrooms

CLEANING RECOMMENDATIONS

We recommend the use of soapy water or approved cleaners.

This product should not be cleaned with abrasive materials.

Damage caused by any improper treatment is not covered by the product warranty. Refer to Warranty Conditions.



Disclaimer: Products in this specification manual must be installed by licensed and registered trade people. The manufacturer/distributor reserves the right to vary specifications or delete models from their range without prior notification. Dimensions are nominal measurements only. Dimensions and set-outs listed are correct at time of publication however the manufacturer/distributor takes no responsibility for printing errors.

Tech Page Version 1



STREAM BASIN SET CHROME

INSTALLATION INSTRUCTIONS

Note

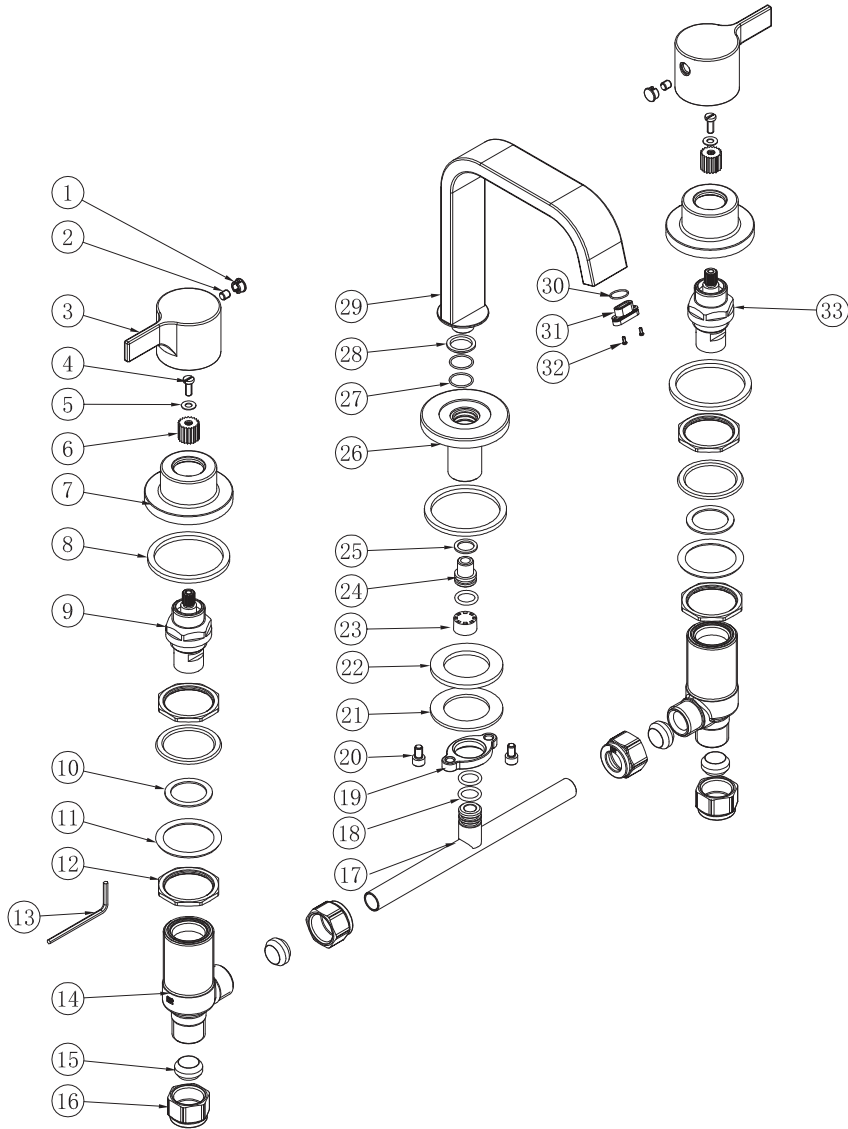
Ensure water lines are flushed free of impurities.

Installation Procedure

1. Attach stop bodies to tee-piece. Fully tighten connections, but do not overtighten
2. Insert stop bodies through basin holes ensuring that housing thread extends above basin level
3. Adjust and fix stop bodies into position using locking nuts
4. Separate cartridge locknut and fibre washer from cartridge
5. Grip the cartridge on the hexagonal flats and install cartridge fully into stop body until it comes to a firm stop. Do not tighten cartridge into position by rotating spindle
6. Turn spindle to off position and turn on water at mains. Check that cartridge has fully seated. If dripping occurs then gently tighten cartridge further until dripping stops
7. Firmly tighten cartridge fibre washer and cartridge locknut into position
8. Place o-ring into base of cartridge bonnet and secure down onto cartridge by tightening bonnet by hand
9. Turn cartridge to fully OFF position
10. Assemble handle onto cartridge and secure in place by fixing with grub screw
11. Place locknut, steel and rubber washer onto outlet spigot of tee piece
12. Ensure rubber washer is inserted in underside of spout base flange
13. Push outlet through basin top and over o-rings of tee piece
14. From underneath, fix outlet into position by tightening locknut onto outlet thread

STREAM BASIN SET CHROME

COMPONENT LISTING



| No. | Description |
|-----|------------------|
| 1 | Decorative Cover |
| 2 | Grub Screw |
| 3 | Handle |
| 4 | Screw |
| 5 | Washer |
| 6 | Spline |
| 7 | Flange |
| 8 | Washer |
| 9 | Cartridge (HOT) |
| 10 | Washer |
| 11 | Washer |

| No. | Description |
|-----|-------------|
| 12 | Lock Nut |
| 13 | Allen Key |
| 14 | Stop Body |
| 15 | Olive |
| 16 | Nut |
| 17 | Copper Tee |
| 18 | O-Ring |
| 19 | Nut |
| 20 | Screw |
| 21 | Washer |
| 22 | Washer |

| No. | Description |
|-----|------------------|
| 23 | Flow Controller |
| 24 | Connector |
| 25 | O-Ring |
| 26 | Dress Ring |
| 27 | O-Ring |
| 28 | U Ring |
| 29 | Spout |
| 30 | Aerator Complete |
| 31 | |
| 32 | |
| 33 | Cartridge (COLD) |