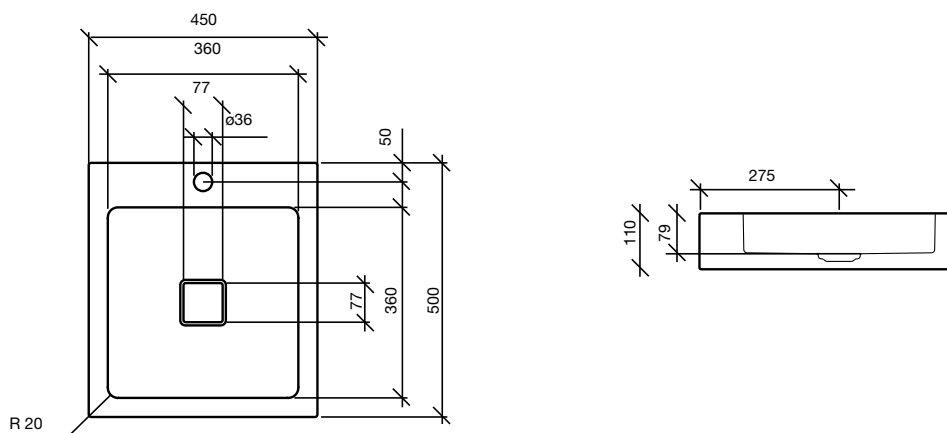


ALAPE

WT.Q4 Wall Basin 1 Taphole 450mm White



FEATURES

Recommended use:	Domestic, hotel
Material:	Steel Enamelling
Fixing:	Wall mounted

SPECIFICATIONS

Fixing requirement	Wall fixing (bolts supplied)
Overflow	None - waste is free flowing and cannot be plugged.
Tap hole availability	1 tap hole only.
Plug and waste	Supplied with non-plug free flowing waste, push-in white square plastic waste cover, and 40mm trap adapter.
Colour availability	White
Capacity	9 L



To see the complete Alape range go to www.reece.com.au/bathrooms

CLEANING RECOMMENDATIONS

Any bathroom product should not be cleaned with abrasive materials eg. steel wool/scourers. Do not use any corrosive or abrasive cleaning agents containing acids or scouring agents. Bleaches can also discolour products and therefore should not be used. Damage caused by any improper treatment is not covered by the product warranty - refer to Warranty Conditions on the last page.

Disclaimer: Products in this specification manual must by regulation be installed by licensed and registered trade people. The manufacturer/distributor reserves the right to vary specifications or delete models from their range without prior notification. Dimensions and set-outs listed are correct at time of publication however the manufacturer/distributor takes no responsibility for printing errors.

Tech version 2

Alape[™]

reece[™]

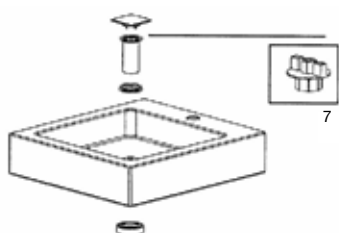
ALAPE

WT.Q4 Wall Basin 1 Taphole 450mm White

INSTALLATION INSTRUCTIONS

1. Drill holes into wall at required height.
2. Fit the supplied waste and trap adapter to basin (**diagram a**).
3. Insert wall plugs (1) and wood-to-metal dowels (2). Secure washstand to wall with nuts (6) and flat washers (3,4), but do not fully tighten (**see diagram b**).
4. Make minor adjustments and ensure basin is level and then fully tighten nuts. Do not over tighten!
5. If desired all visible external edges can be joint sealed using flexible sealant ensuring to wipe off any excess.

a)



b)

