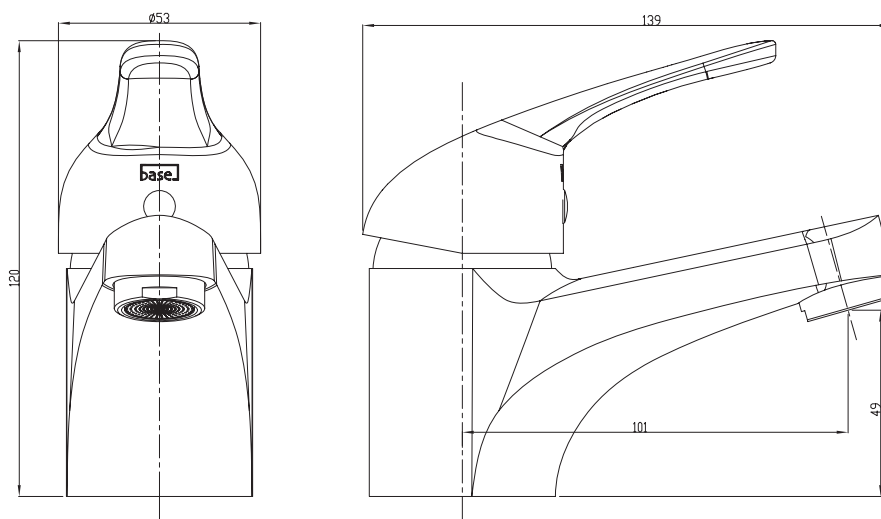


Base MK2 Basin Mixer Chrome



SPECIFICATIONS

Recommended use	Domestic, hotel and commercial
Colour availability	Chrome
Pressure rating	Maximum continuous operating pressure 1000kPa. Note: For best performance and longer life we recommend an operating pressure between 150-500 kPa
Temperature rating	Maximum continuous working temperature 80°
WELS	Stars: 4 Flow Rate 7.5 L/min Stars: 6 Flow Rate: 4.5 L/min
Suitable Hot Water Units	Storage tank: Yes Continuous Flow: Yes Gravity Feed: Not recommended
Standards	AS/NZS 3718



CLEANING RECOMMENDATIONS

This product should not be cleaned with abrasive materials. Damage caused by any improper treatment is not covered by the product warranty- refer to Warranty Conditions on the last page.

Disclaimer: Products in this specification manual must by regulation be installed by licensed and registered trade people. The manufacturer/distributor reserves the right to vary specifications or delete models from their range without prior notification. Dimensions are nominal measurements only. Dimensions and set-outs listed are correct at time of publication however the manufacturer/distributor takes no responsibility for printing errors.

Tech Page Version 3

To see the complete BASE range go to www.reece.com.au/bathrooms

WaterMark
AS/NZS 3718
WM-022094