

## Vanity Basin

### 540 x 445 x 195mm

**SPECIFICATIONS**

Recommended Use	Domestic, Hotel & Commercial
Material	Vitreous China
Colour	White
Weight	8 kg
Fixing	Self-rimming for drop in installation
Taphole Availability	1 or 3 Taphole
Overflow	Chrome overflow on front inner rim (included)
Plug & Waste	Suits 32 x 40 Overflow Waste
Template	Supplied with product

**WARRANTY**

Warranty - Domestic Use	12 Months
Spare Parts & Labour	12 Months

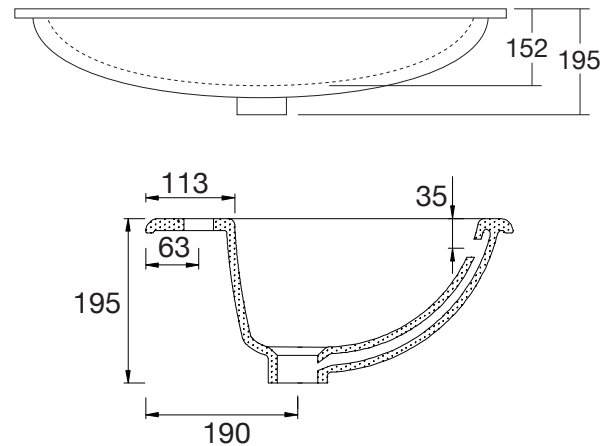
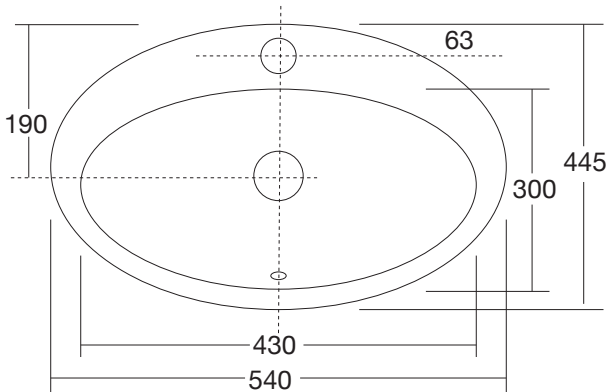
*Please refer to Warranty Page for full Terms and Conditions*



1 Taphole  
9503280



3 Taphole  
9503281



Dimensions same for 1 & 3 Taphole.

### CLEANING RECOMMENDATIONS

We recommend the use of soapy water or approved cleaners.

This product should not be cleaned with abrasive materials.

Damage caused by any improper treatment is not covered by the product warranty - refer to Warranty Conditions.