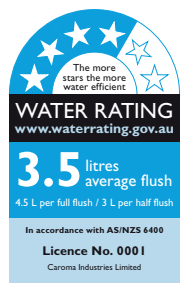


# Urbane

Vitreous China 4.5/3 litre Dual Flush  
Wall Faced Close-Coupled Toilet Suite



# Urbane



Back entry version of pan pictured



Bottom inlet version of pan pictured

A universal design, the wall faced toilet suite conceals plumbing fittings for an aesthetically pleasing finish. The pan connection system includes the patented Caroma Uni-Orbital® Connector for increased installation flexibility. The Caroma Uni-Orbital® Connector extends to any position in a 50mm radius, unlike traditional connectors that only move backwards and forwards. The setout range is from 60mm – 200mm with a recommended setout of 140mm. The suite is suitable for use in domestic and commercial projects, and also for ambulant applications. Fitted with chrome plated metal push buttons, the smooth sided pan design offers a seamless finish to your bathroom.

**Pan:** Urbane 4.5 litre full flush washdown pan with box rim.  
**Traps:** Universal trap for S or P-trap installations.  
**Cisterns:** Urbane close coupled cistern – has a free fitting lid and is suitable for domestic and light commercial applications. Available with internal overflow. Available in either back entry or bottom inlet options.  
 Cistern inlet stop valve and inlet connection is concealed within the cistern and is included. **Vandal Resistant Conversion Kit** – A simple to install conversion is available for the standard mechanism to lock lid onto the cistern, recommended for use in heavy use commercial areas. Code No.750109.

**Important: Working pressure minimum 30kPa to maximum 1000kPa flow pressure. Rain water tank compliant. Accurate wall setout for B.S.P. 1/2" Nipple water inlet connection is essential.**

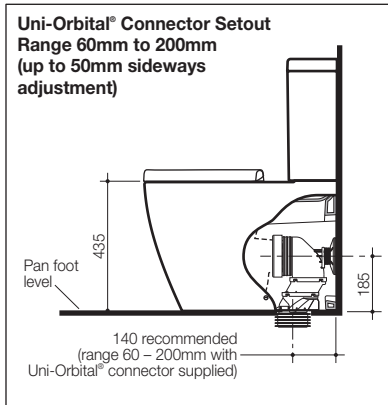
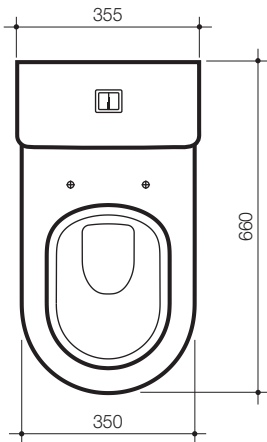
**Fixing:** The cistern is fixed directly to the pan with a robust concealed base fixing system without the need for wall fixing.

**Seats:** The Arc soft close thermoset toilet seat is provided as standard with the Urbane suite. See chapter 5.01 SEATS of the Caroma Technical Manual for further details.

**Colours:** White only.

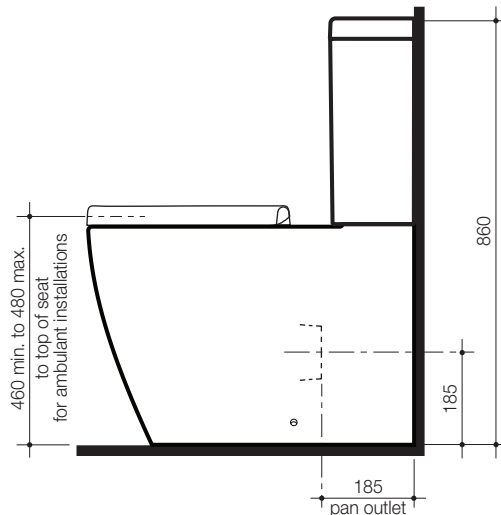
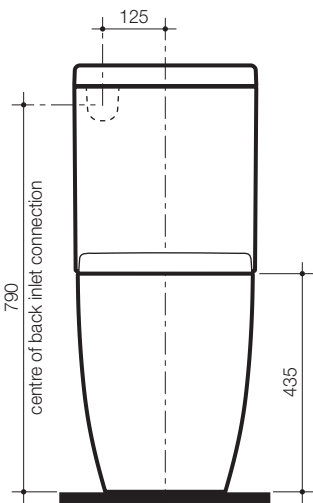
**Installation:** The installation of the toilet suite shall be in accordance with the normal minimum drainline grade requirements in AS/NZS 3500.2.

**Dimensions:** All dimensions are in millimetres and are subject to normal manufacturing variations. Caroma pursues a policy of continuing improvement in design and performance of its products. The right is therefore reserved to vary specifications without notice.

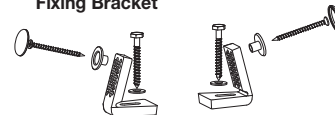


**Urbane Wall Faced Close Coupled Toilet Suite with Seat**

	Code No.
4.5/3 litre Back Entry Internal Overflow with Arc Soft Close Seat	743500
4.5/3 litre Back Entry Internal Overflow with Arc Standard Seat	743800
4.5/3 litre RH Bottom Inlet Internal Overflow with Arc Soft Close Seat	744500
4.5/3 litre RH Bottom Inlet Internal Overflow with Arc Standard Seat	744800



**D82 Concealed Fixing Bracket**



**Note:** All height dimensions to underside of pan, make allowance for bedding when installing.

**Bedding:** The pan should be fixed to the floor with a sand cement mixture of 3:1 to a depth of 60mm. Do not use lime or fast drying cement in the bedding mixture. When bedded the back of the foot of the pan should be approximately 10mm above the finished floor.

**Bracket fixing:** The pan should be bedded with an acetic cured silicone sealant and fixed with the D82 Fixing Brackets supplied.