

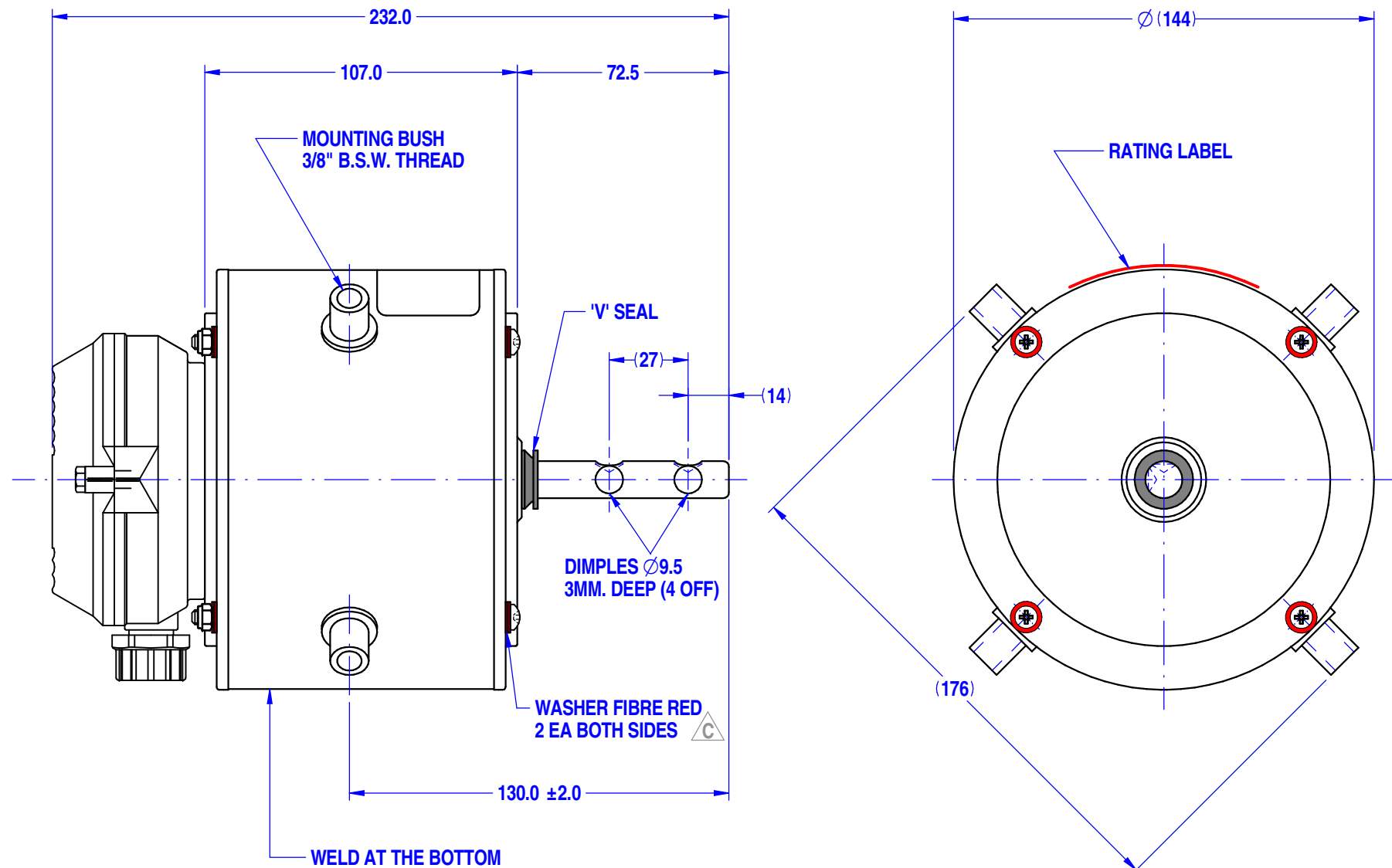
**MOTOR SPECIFICATION**

FINAL INSPECTED MOTORS MUST COMPLY WITH ELECTRIC MOTOR VIBRATION SPECIFICATION (ES049)

THIRD ANGLE PROJECTION.

**8061S107-02S**

Q.R. No.	-	CUSTOMER NO.	--
CUSTOMER	-		
MOTOR RATING	VOLTS	415	Hz 50 Ph 3 Duty AOM
	MAX. INPUT	1400	0.75 AMPS
	NOM. OUTPUT	180 WATTS	
ROTATION	CLOCKWISE DRIVE END (PHASED ROTATION)		
CAPACITOR	START	-----	μF/V RUN -- μF/V
ENCLOSURE	TOTALLY ENCLOSED		
MOTOR TYPE	3 PH	INSULATION CLASS	B130
THERMAL PROTECTION	NIL		
APPLICATION	FAN - SHAFT HORIZONTAL		
BEARING D.E.	6202ZZ	LUBRICATION	LONG LIFE, WIDE RANGE
BEARING N.D.E.	6202ZZ		
SUPPLY LEAD	--		
EARTH PROVISION	IN NDE PLASTIC COVER		
BASIC BUILD SPECIFICATION	305-570-05	PAINT/ COLOUR	PC GREY CASE PLAIN E/SHIELDS
PERFORMANCE SPECIFICATION	SP85001-02		
CONNECTION DIAGRAM	393-000-AM	RATING LABEL	LABELSTD.FMT



DESIGNED AND MANUFACTURED TO AUSTRALIAN STANDARDS & SPECIFICATIONS

**FASCO** ddmmyyxxxx

MODEL **8061S107-02S**

VOLTS	415	TYPE	3 PHASE	Hz	50
WATTS	180	DUTY	AOM	PH	3
AMPS	0.75	CLASS	B130	PROT.	NIL
R.P.M.	1400	uF/V	S	NIL	R
WATTS IN MAX		MAX kPa			

87.0 (width)

35.0 (height)

**SPECIAL REQUIREMENTS:**

- 1)\_ WEATHERPROOF MOTORS TO ES050
- 2)\_ NON DRIVE ENDSHIELD TO BE ASSEMBLED SO THAT LEAD EXIT HOLE IS CLOSEST TO THE WELD.
- 3)\_ MOTOR TO BE PACKED IN SINGLE CARTON.
- 4)\_ WASHER FIBRE TO BE FITTED ON TIE RODS BOTH SIDES. ⚠

UNLESS OTHERWISE SPECIFIED : DIMENSIONS ARE IN MM. TOLERANCES		MOTOR WEIGHT	<b>4.53</b> kg.
DECIMALS	ANGULAR	DRAWN	muntana 14/07/2006
.X ± 1.0	± 30'	CHECKED	Pipat 27/10/2018
.XX ± 0.1		RELEASED	Kanapote 01/11/2018
THIS DRAWING REMAINS THE PROPERTY OF FASCO MOTORS AND MAY NOT BE USED, COPIED OR ISSUED WITHOUT WRITTEN PERMISSION FROM FASCO MOTORS		SCALE	N.T.S.

**FASCO THAILAND**

29/7-8 MOO 3, BANGKRUAY - SAINOI Rd., BANGKRANG, MUANG NONTABURI DISTRICT, NONTABURI 11000 THAILAND

FRAME	MOTOR	
STATUS	B001:8534T-180-JCH	
SHEET	DWG. NO.	REVISION
A3	<b>8061S107-02S</b>	<b>D</b>

MIC1804207 By: Veeranut Date:26/10/2018 MIC D: REMOVE C-TICK FROM LABEL Note: