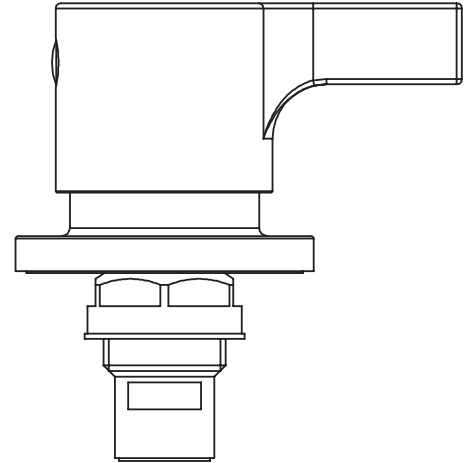
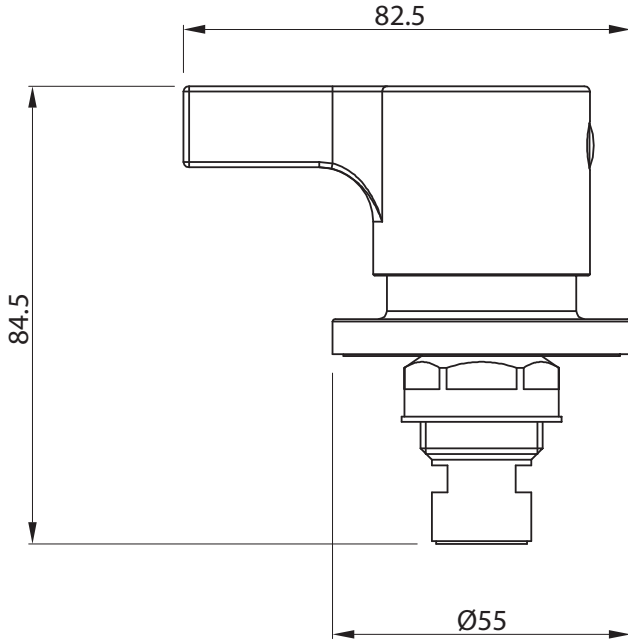


m i z u

STREAM WALL TOP ASSEMBLIES MATTE BLACK



Dimensions are nominal measurements only.

SPECIFICATIONS

Recommended Use	Domestic, Hotel & Commercial	
Colour	Chrome, Matte Black or Brushed Nickel	
Pressure Rating	Maximum Continuous Operating Pressure 1000kPa	
	Note: As per AS/NZS3500 pressure must be limited to 500kPa on any new home, extension or renovation.	
	Note: For best performance and longer life we recommend an operating pressure between 150-500 kPa	
	Hot and cold water inlet pressure should be equal.	
Temperature Rating	Maximum Continuous Working Temperature	65°C
Suitable Hot Water Units	Storage Tank	Yes
	Continuous Flow	Yes
	Gravity Feed	Yes
Retrofit Suitable	Suitable	



To see the complete MIZU range go to
www.reece.com.au/bathrooms

CLEANING RECOMMENDATIONS

We recommend the use of soapy water or approved cleaners.

This product should not be cleaned with abrasive materials.

Damage caused by any improper treatment is not covered by the product warranty. Refer to Warranty Conditions.



Disclaimer: Products in this specification manual must by regulation be installed by licensed and registered trade people. The manufacturer/distributor reserves the right to vary specifications or delete models from their range without prior notification. Dimensions are nominal measurements only. Dimensions and set-outs listed are correct at time of publication however the manufacturer/distributor takes no responsibility for printing errors.

Tech Page Version 1



m i z u

STREAM WALL TOP ASSEMBLIES MATTE BLACK

INSTALLATION INSTRUCTIONS

Note

Mixer must be installed by a licenced plumber.

Installation Procedure

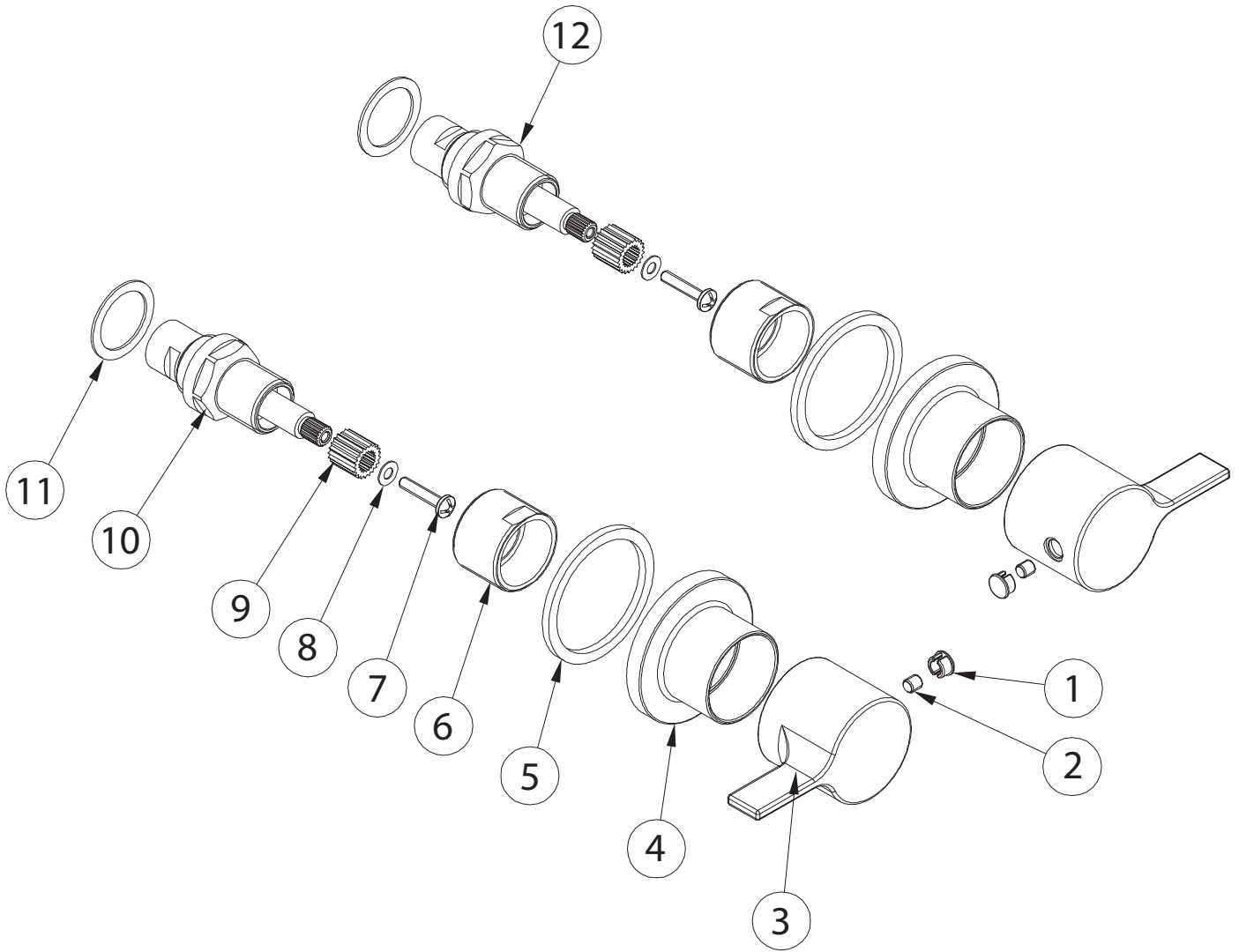
1. Check the breach is between 3-21mm from the finished wall
2. Check seats in recess tap bodies are in good condition and free of foreign materials. Reseal if required.
3. Separate locknut and fibre washer from cartridge
4. Grip the cartridge on the hexagonal flats and install cartridge fully into breach until it comes to a firm stop. Do not tighten cartridge into position by rotating spindle
5. Turn spindle to off position and turn on water at mains. Check that cartridge has fully seated. If dripping occurs then gently tighten cartridge further until dripping stops
6. Firmly tighten cartridge locknut and fibre washer into position
7. Screw bush connector onto cartridge locknut
8. Place wall flange and o-ring into position and screw chrome bush cover onto brass bush until it is tight against the wall
9. Turn cartridge spindles to the fully OFF position and assemble handle
10. Ensure that handle pins are pointing out to sides when in the off position
11. Fix the handle by tightening the grub screw with allen key and then push plug into position

For basin top assemblies, follow installation steps 3-6, 9-11

m i z u

STREAM WALL TOP ASSEMBLIES MATTE BLACK

COMPONENT LISTING



No.	Description
1	Decorative Cover
2	Grub Screw
3	Handle
4	Flange
5	Washer
6	Cartridge Sleeve

No.	Description
7	Screw
8	Washer
9	Spline
10	Cartridge (HOT)
11	Washer
12	Cartridge (COLD)