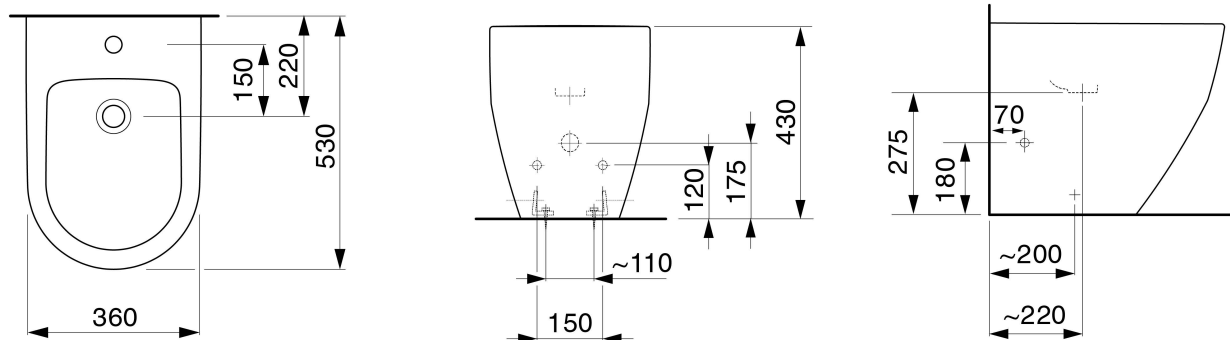


LAUFEN

PRO BACK TO WALL BIDET



Dimensions are nominal measurements only.

SPECIFICATIONS

Recommended Use	Domestic, hotel and commercial
Weight	24kg
Fixing	Screwed to the floor and bedded with sealant
Material	Ceramic
Finish	LAUFEN Clean Coat
Overflow	Intergrated Overflow
Taphole Configuration	1 Taphole
Standards	AS 3494



To see the complete LAUFEN range go to www.reece.com.au/bathrooms

CLEANING RECOMMENDATIONS

We recommend the use of soapy water or approved cleaners.

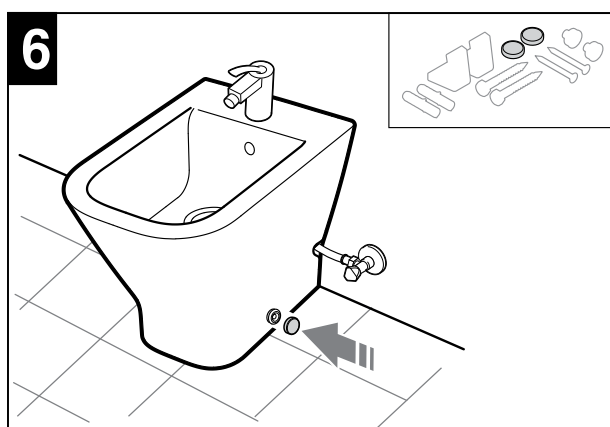
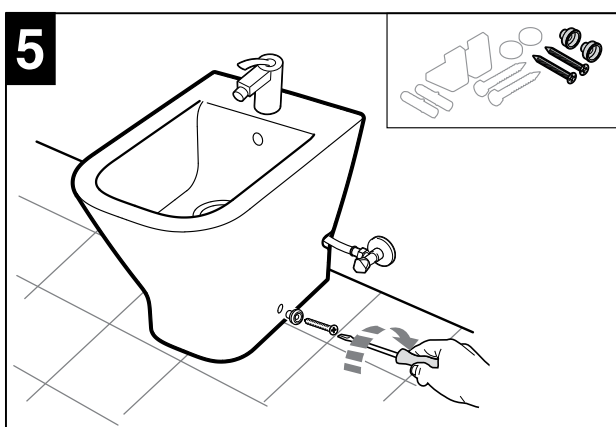
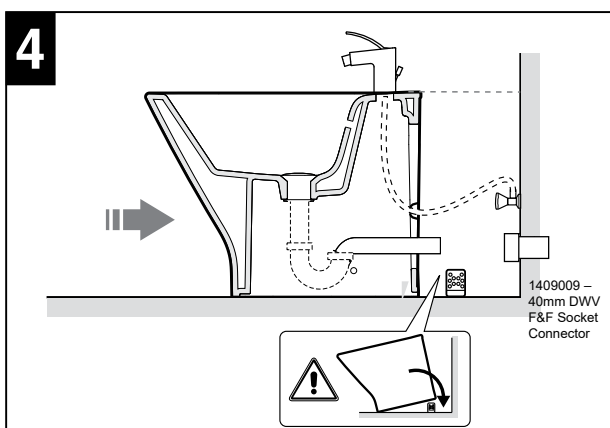
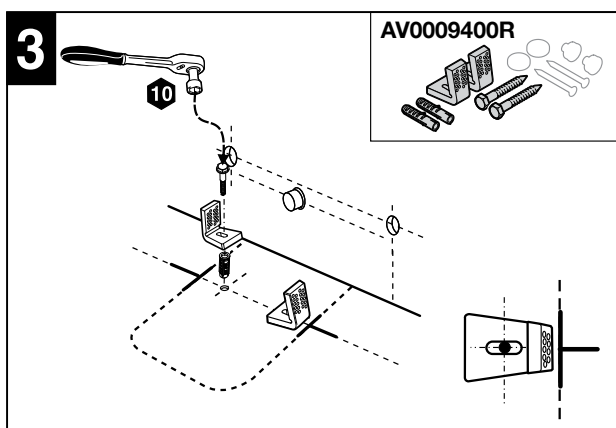
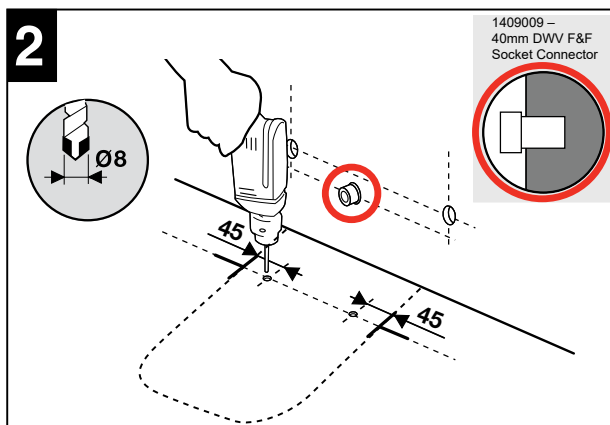
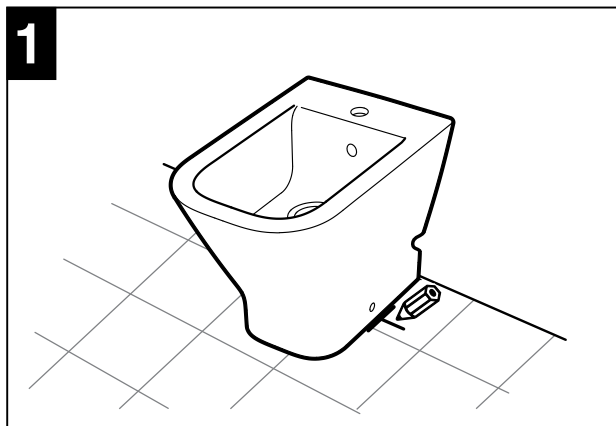
This product should not be cleaned with abrasive materials.

Damage caused by any improper treatment is not covered by the product warranty - Refer to Warranty Conditions.

LAUFEN

PRO BACK TO WALL BIDET

INSTALLATION INSTRUCTIONS



Plumbers, please ensure a copy of the installation instructions is left with the end user for future reference