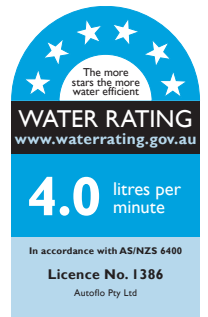
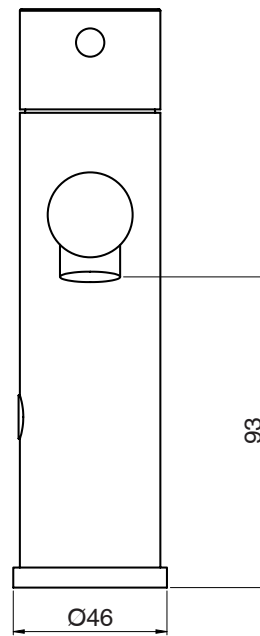
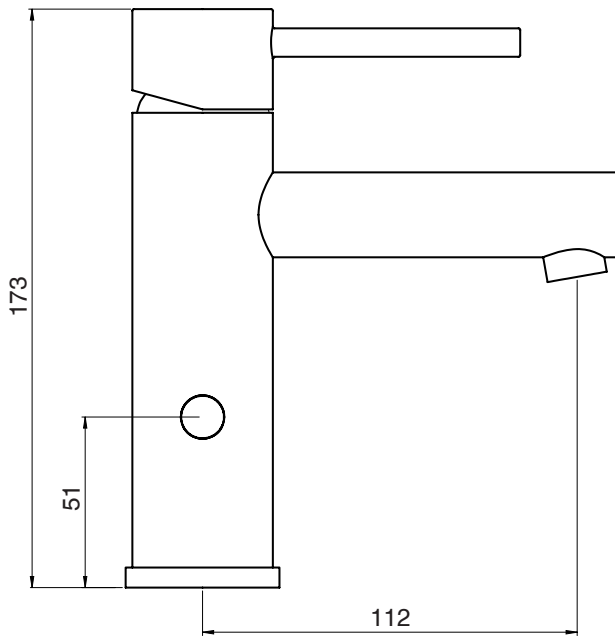


mizu

Mizu Drift Dual Function Sensor Basin Mixer Brushed Gold - Battery Operated (6 Star)

9511865

SPECIFICATIONS	
Recommended Use	Domestic, Hotel & Commercial
Colour	Brushed Gold
Finish	Brushed
Material	Brass
Recommended Pressure Range	100-500 kPa
Maximum Continuous Working Temperature	60 deg C
Suitable for Storage Tank Hot Water	Yes
Suitable for Continuous Flow Hot Water	Yes
Suitable for Gravity Feed Hot Water	No
WARRANTY	
Warranty - Domestic Use	10 Years
Spare Parts & Labour	12 Months
<i>Please refer to Warranty Page for full Terms and Conditions</i>	



Dimensions are nominal measurements only.

CLEANING RECOMMENDATIONS:

We recommend the use of soapy water or approved cleaners. This product should not be cleaned with abrasive materials. Damage caused by any improper treatment is not covered by the product warranty. Refer to Warranty Conditions

Disclaimer: Products in this specification manual must by regulation be installed by licensed and registered trade people. The manufacturer/distributor reserves the right to vary specifications or delete models from their range without prior notification. Dimensions are nominal measurements only. Dimensions and set-outs listed are correct at time of publication however the manufacturer/distributor takes no responsibility for printing errors.

Published 04/03/2022

To see the complete Mizu range go to www.reece.com.au

