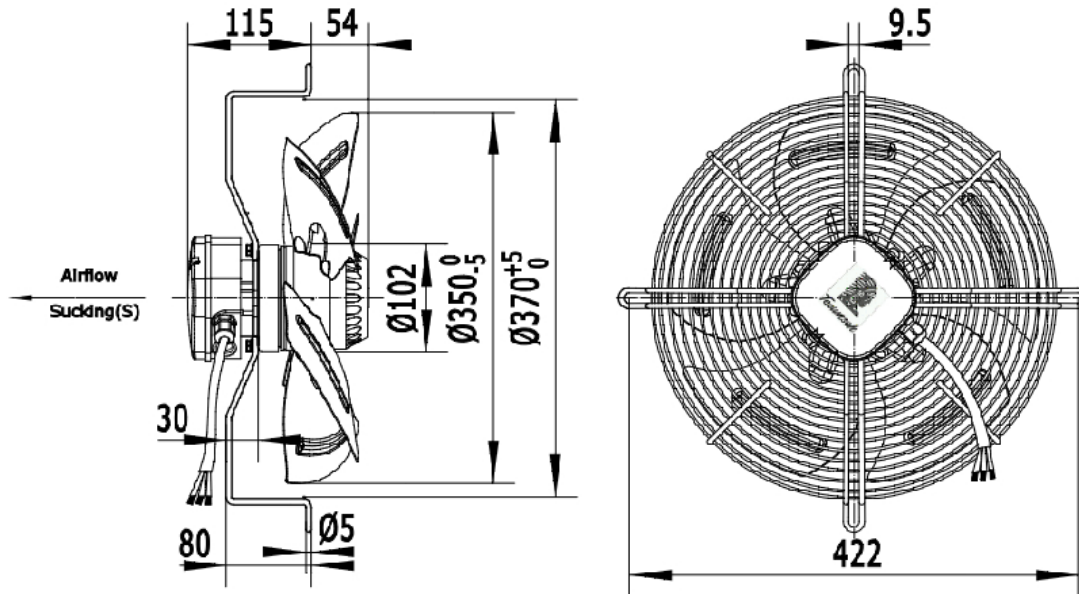
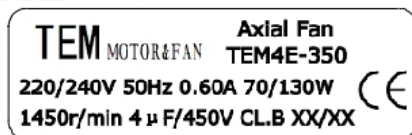


SPECIFICATION

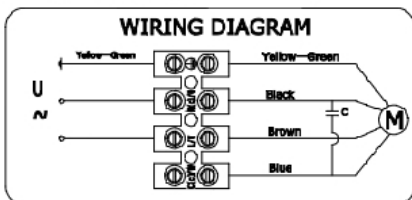


UNIT	Axial fan motor
MOTOR	Single phase motor with capacitor
MOTOR TYPE	YWF4E-350S-102/34-G
VOLTAGE (V)	220/240
FREQUENCY (Hz)	50
INPUT POWER (W)	130
CURRENT (A)	0.60
SPEED (r/min)	1450
AIR FLOW (m ³ /h)	2285
NOISE (dBA)	64
CAPACITOR (μ F/450V)	4
ROTATION	CW ,looking into the end-shield
INSULATION CLASS	B
MOTOR PROTECTION	Thermocontact 135±5°C
TEMPERATURE RISE	75K max
PROTECTION CLASS	IP44
OPERATING TYPE	S1
AMBIENT TEMPERATURE	-30°C +60°C
BEARINGS	Ball bearings
MOUNTING TYPE	Horizontal or Vertical
ELECTRICAL CONNECTION	Outer lead by wire ,Length 1500±15mm (from bottom of terminal box to end of wire) 1.5米
APPROVALS	CE
NET WEIGHT/GROSS WEIGHT	5.0/6.0kg
PACKING	38.5*38.5*19cm

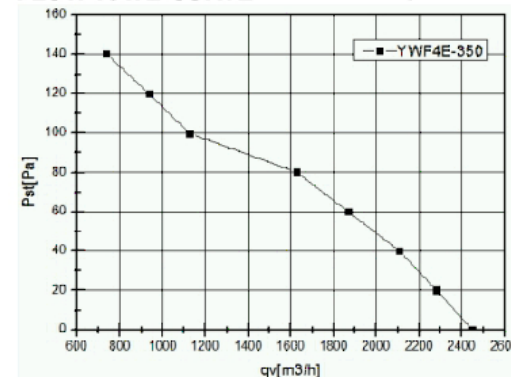
LABEL :



WIRING DIAGRAM :



FLOW RATE CURVE :



No.	Ind	Modification	Date	Drawn	Checked	Approved



Model	TEM4E350	Drawn	rudy
Description	Fan Motor	Checked	Ijat
Drawing No.	7552106	Approved	Sham
Date	11/08/2021	Index	-



TECUMSEH EURO-MALAYSIA SDN BHD