

SEMI FRAMED ADJUSTABLE FRONT ONLY PIVOT DOOR



To see the complete CUSTOM GLASS range go to www.reece.com.au/bathrooms

SPECIFICATIONS

Recommended use	Domestic, Hotel, and Commercial
Material	Screen-6mm Clear Toughened Glass. Glass Infill- 5mm Clear Toughened Glass. Australian Safety Standards Compliant.
Floor Suitability	Tiled Floor Installation
Door Opening Option	Left or Right
Handle	Standard Knob
Frame & Support Rail Colour	Polished Silver
Optional Extras	1789912 - Installation Charge 1791295 - Shower Screen Removal

SIZE VARIATIONS

Code	SIZE	ADJ FRONT	DOOR SIZE	INFILL GLASS	HEIGHT
1789864	900	820-900	702	180	1950
1789865	1000	980-1060	702	340	1950
1789866	1200	1140-1220	702	500	1950
1789867	1500	1460-1540	702	840	1950

CLEANING RECOMMENDATIONS

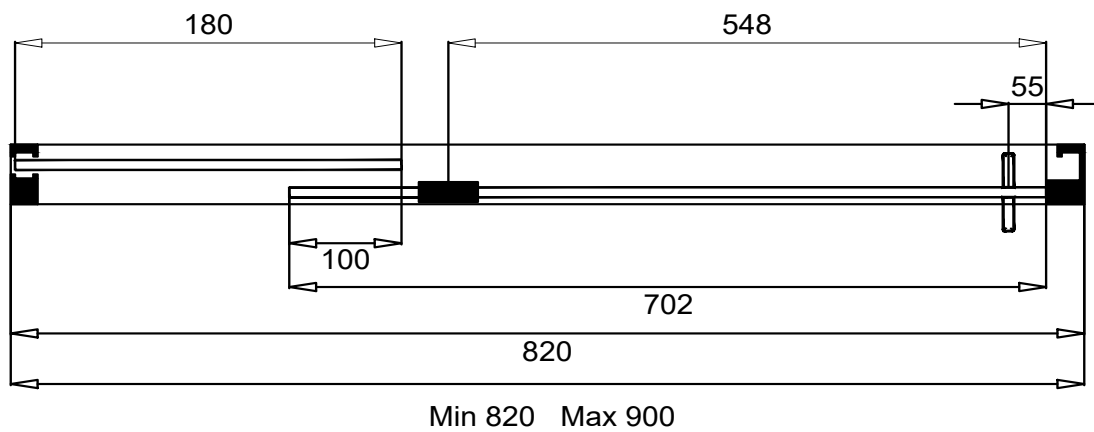
We recommend the use of soapy water or approved cleaners.

This product should not be cleaned with abrasive materials.

Damage caused by any improper treatment is not covered by the product warranty - refer to Warranty Conditions.

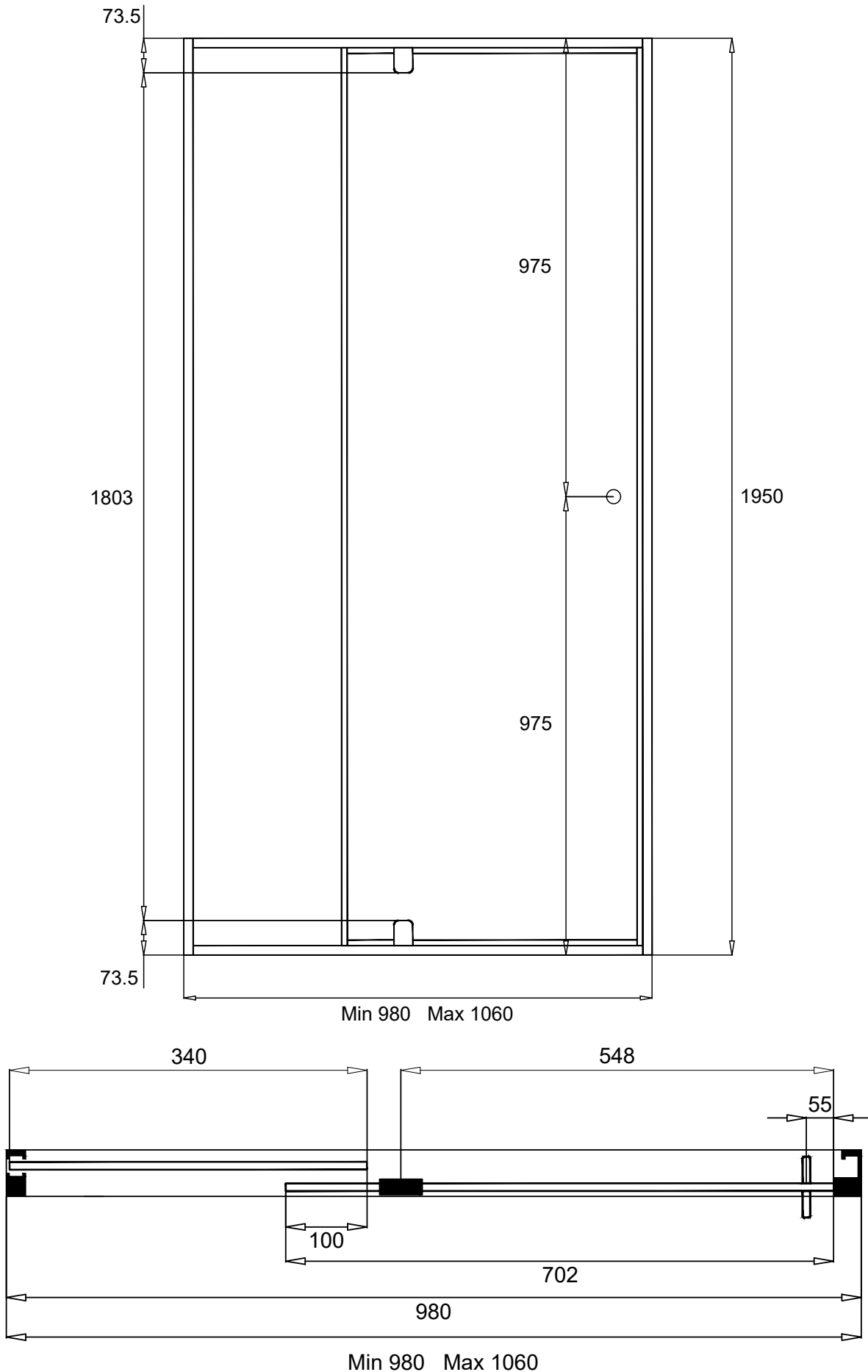
Please refer to detailed Cleaning Instructions on page 14.

SEMI FRAMED ADJUSTABLE FRONT ONLY PIVOT DOOR

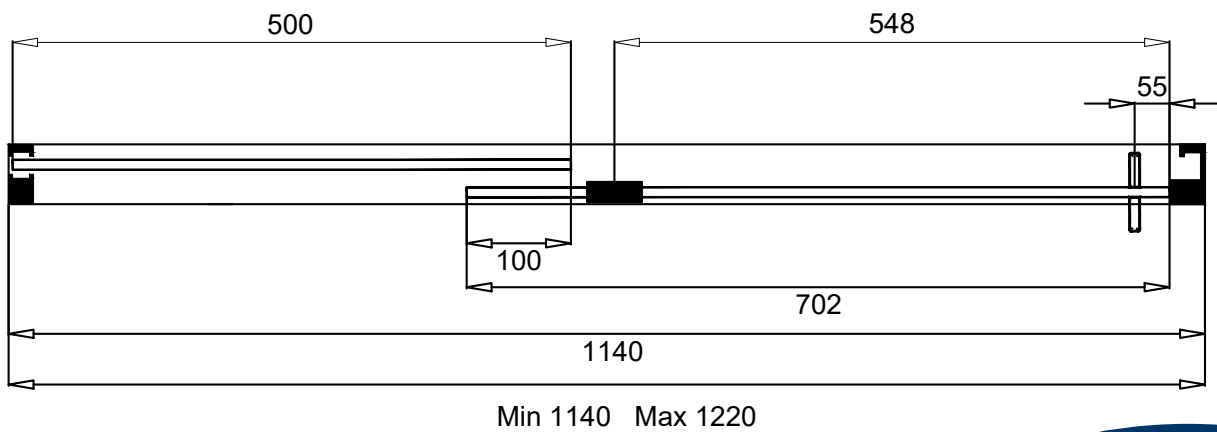
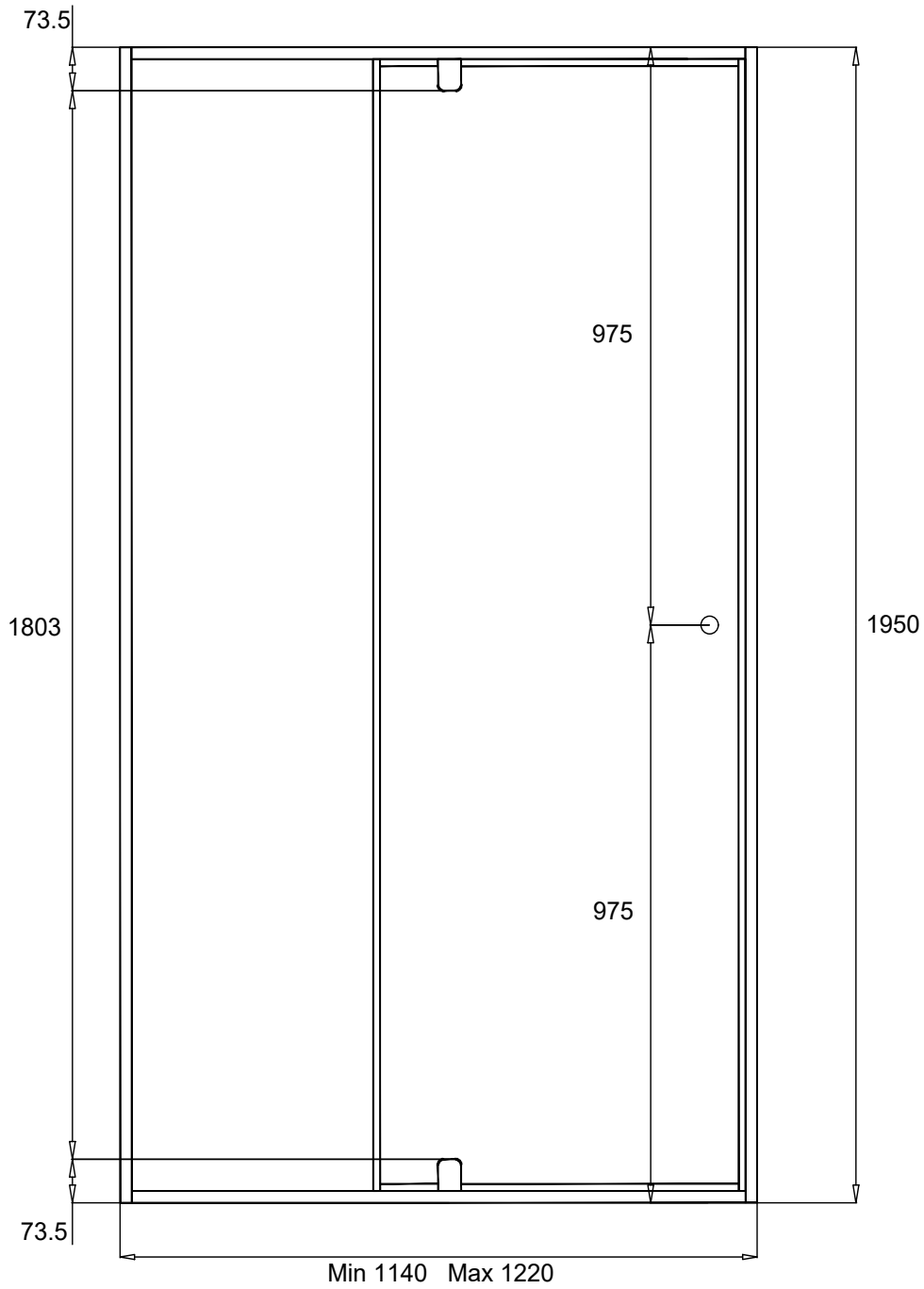


Dimensions are nominal measurements only.
 Dimensions are shown in Millimetres

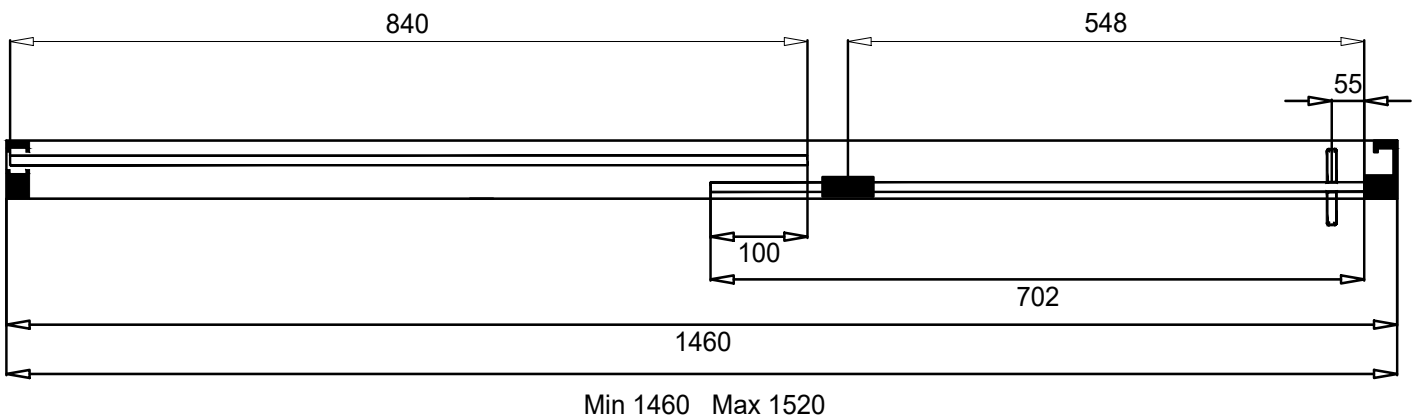
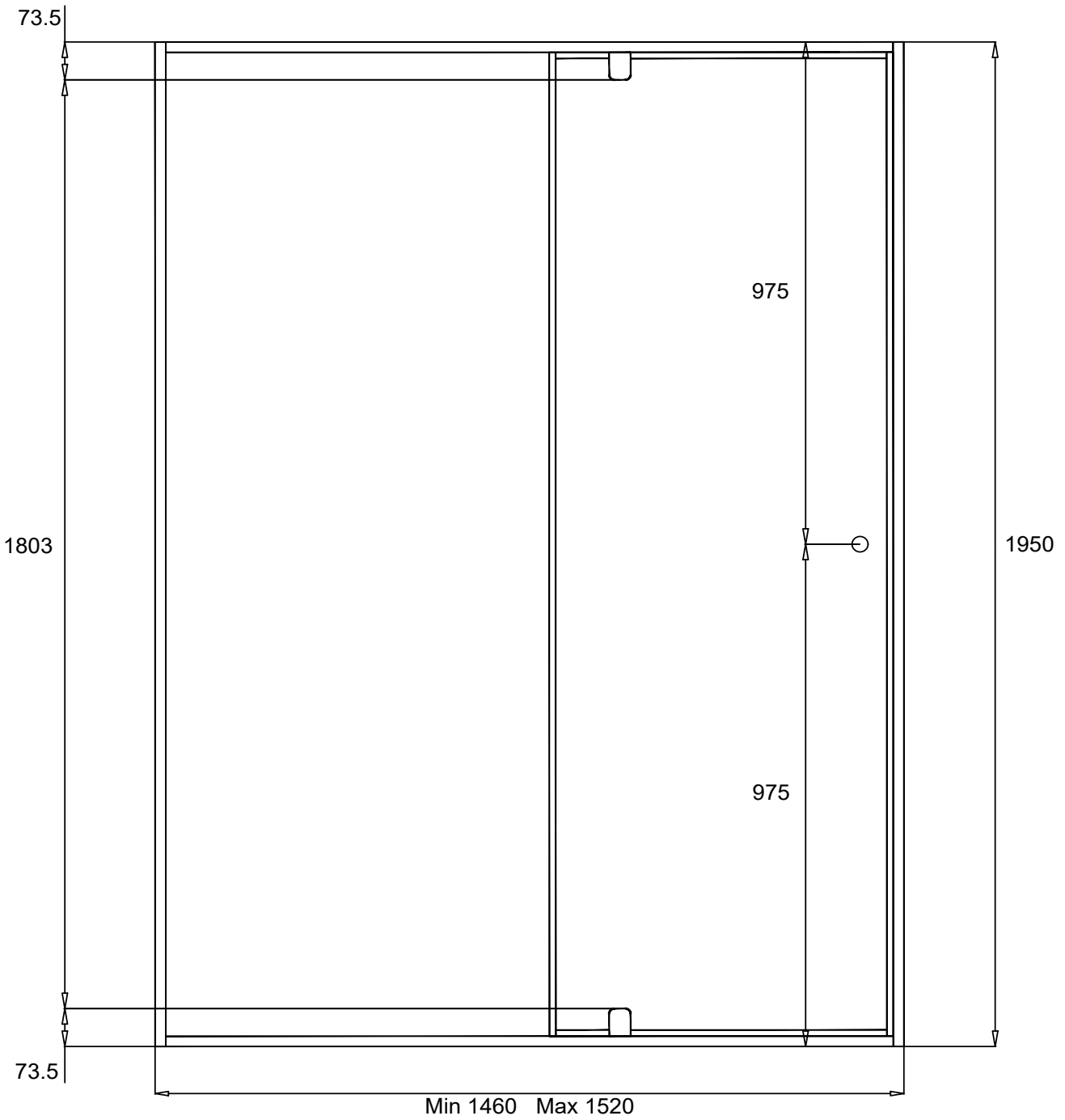
SEMI FRAMED ADJUSTABLE FRONT ONLY PIVOT DOOR



SEMI FRAMED ADJUSTABLE FRONT ONLY PIVOT DOOR



SEMI FRAMED ADJUSTABLE FRONT ONLY PIVOT DOOR



SEMI FRAMED ADJUSTABLE FRONT ONLY PIVOT DOOR

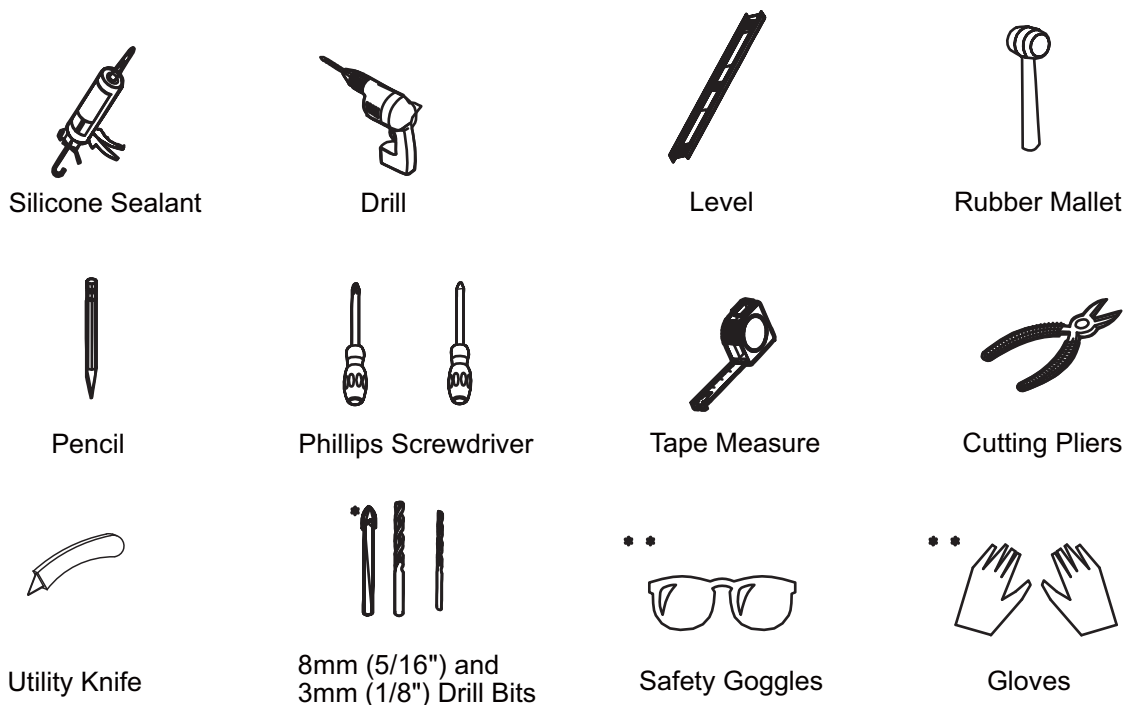
Important Pre-Installation Information

- Please read this entire instruction book before commencing installation.
 - A licenced tradesman must be used for the installation.
 - Leave the plastic protectors on the glass corners until the last possible moment
 - and handle with care.
- If Required Installation Can be arranged Through your Local Reece Branch

Maintenance

If water alone is not enough to clean the glass, Custom Glass recommends the use of mild detergent solutions only.


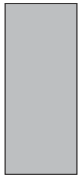

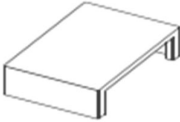
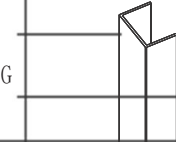

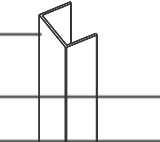

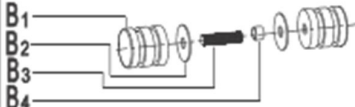




Tools Required



* Use the correct type of drill bit for the material being drilled, with 6mm required for anchor fixing and 3mm used for screwing directly into the wall studs.

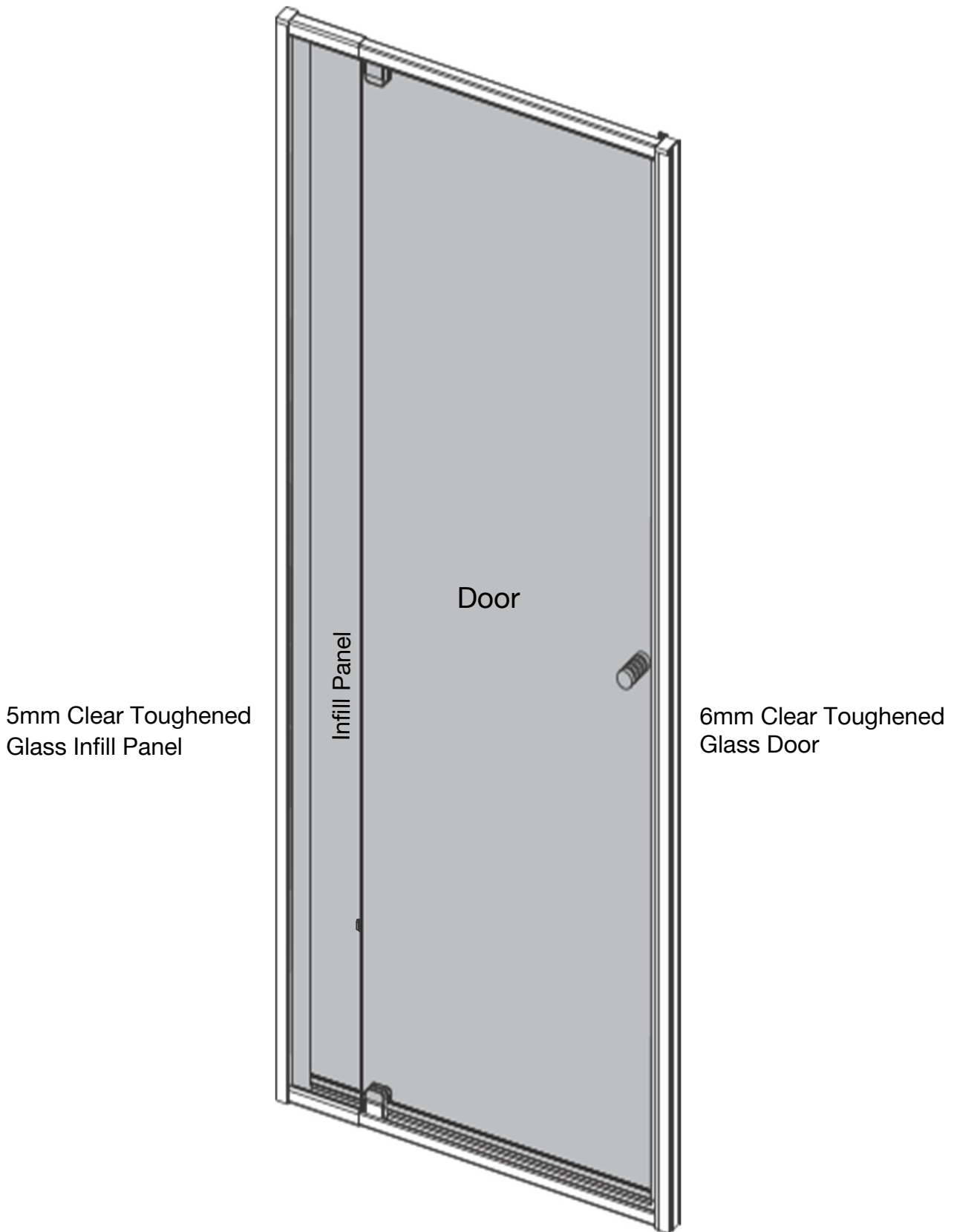
** As with all toughened glass, take care while handling and wear safety goggles and gloves for personal protection.

SEMI FRAMED ADJUSTABLE FRONT ONLY PIVOT DOOR COMPONENTS

NO.	Designation	Pieces	NO.	Designation	Pieces
1	Door 	X1	Wall Plugs		
2	Infill 	X1	7	 Ø8	X7
3	Screens up to 1220 wide are pre fabricated		8	 Top Rail Caps	X2
		X1	9		X2
		X1	Door Seal		
Fixings			Handle		
4	 ST4X35	X7			
	 ST4X35	X7	10	X1	
5	 ST4X10	X7/X9	Drill's Not Supplied		
6		X7/X10/ X12/X13	 Ø8 Ø3.2		

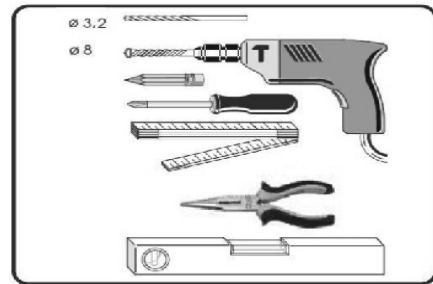
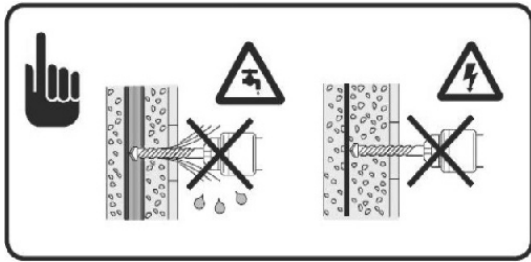
Plumbers, please ensure a copy of the installation instructions is left with the end user for future reference

SEMI FRAMED ADJUSTABLE FRONT ONLY PIVOT DOOR

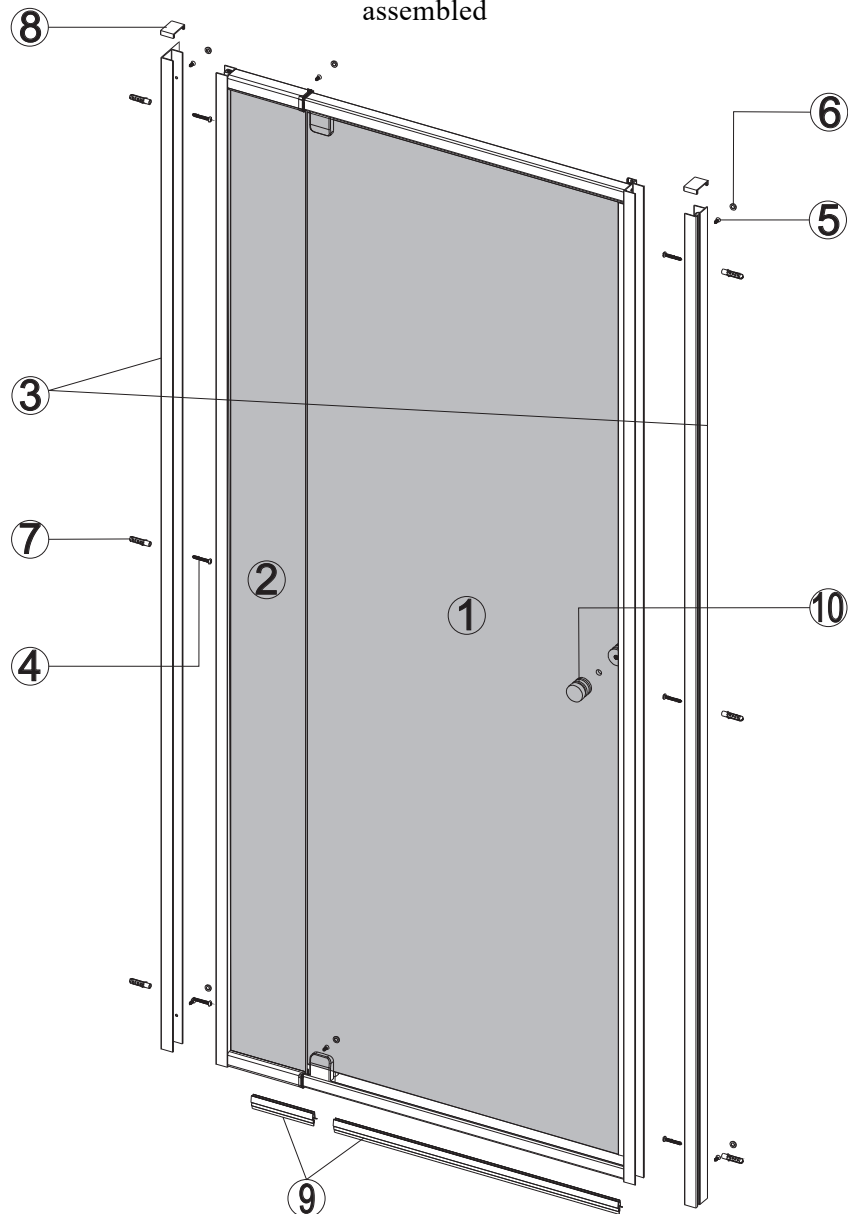


SEMI FRAMED ADJUSTABLE FRONT ONLY PIVOT DOOR

INSTALLATION INSTRUCTIONS



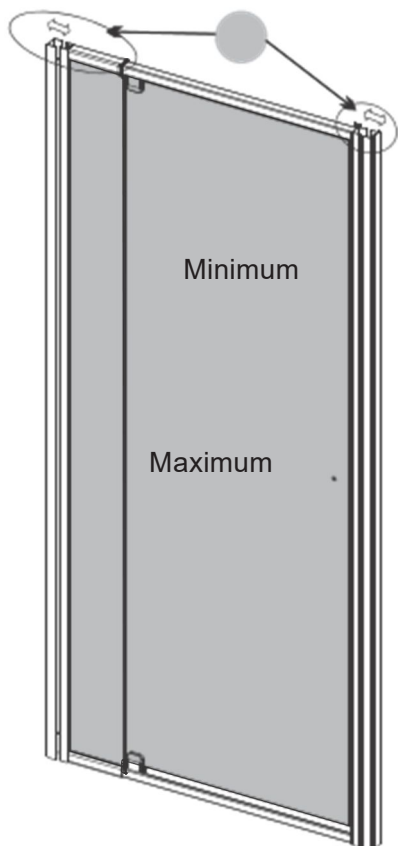
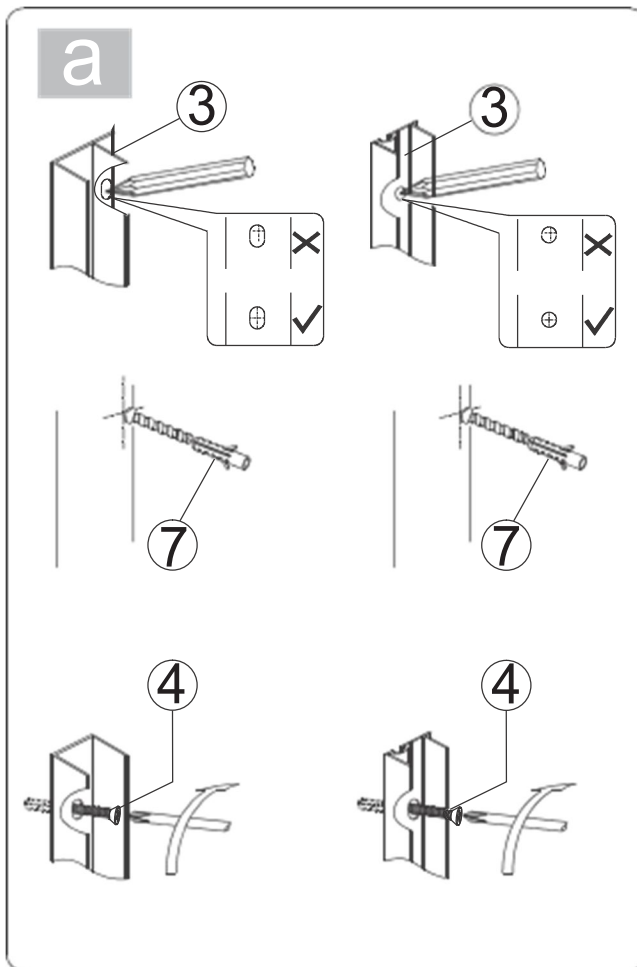
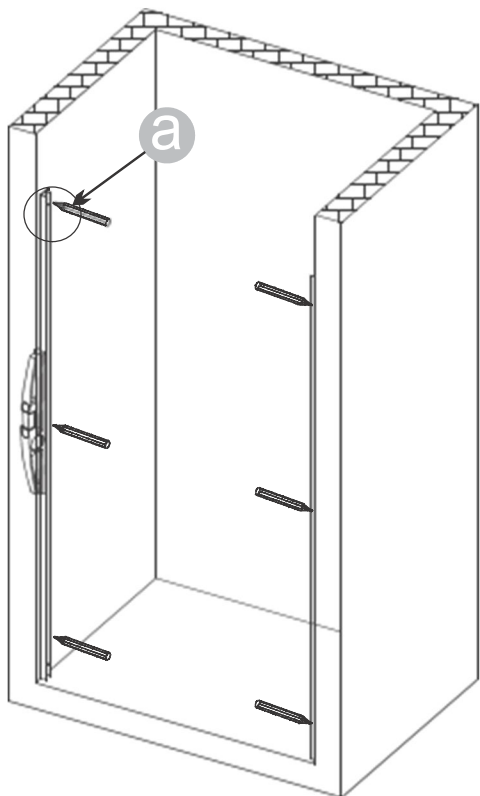
Item's 1 and 2 are pre assembled



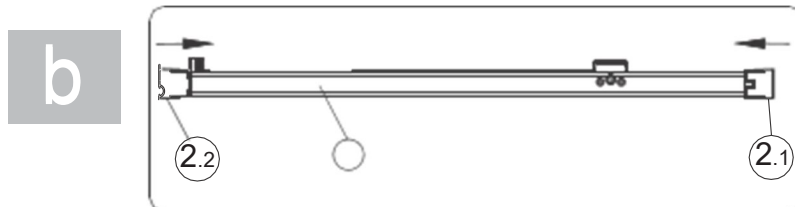
CREATIVE GLASS

SEMI FRAMED ADJUSTABLE FRONT ONLY PIVOT DOOR

Item G Wall Channels must be level

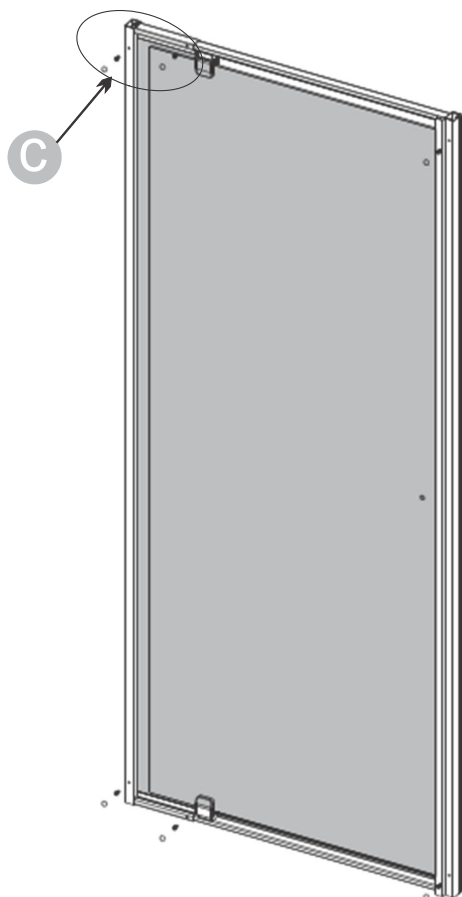


Close Screen to the Minimum, push infill side of screen into the wall Channel. Line the Screen up with the opposite Wall Channel and Extend the Screen out and into the opposite wall Channel.



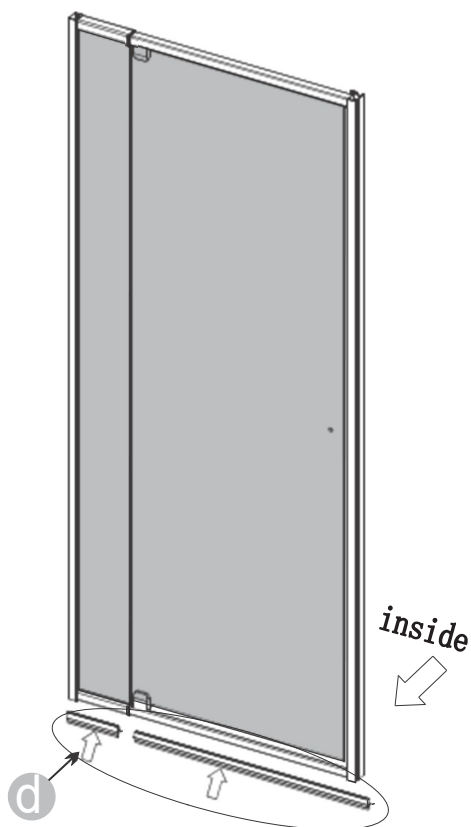
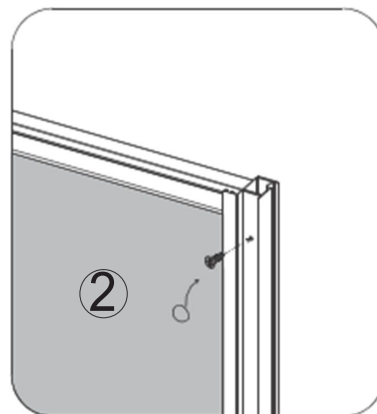
Don't risk it, use a licensed plumber.™

SEMI FRAMED ADJUSTABLE FRONT ONLY PIVOT DOOR

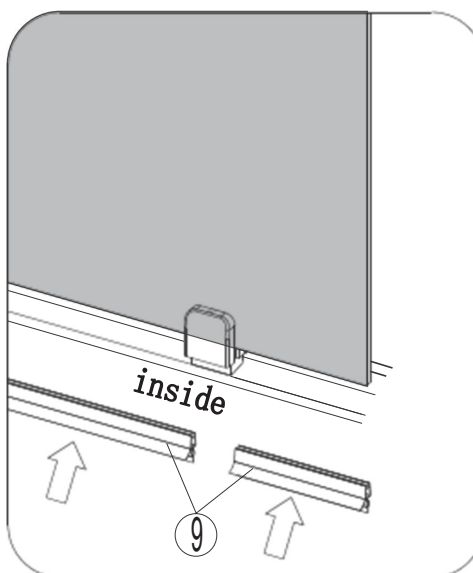


c

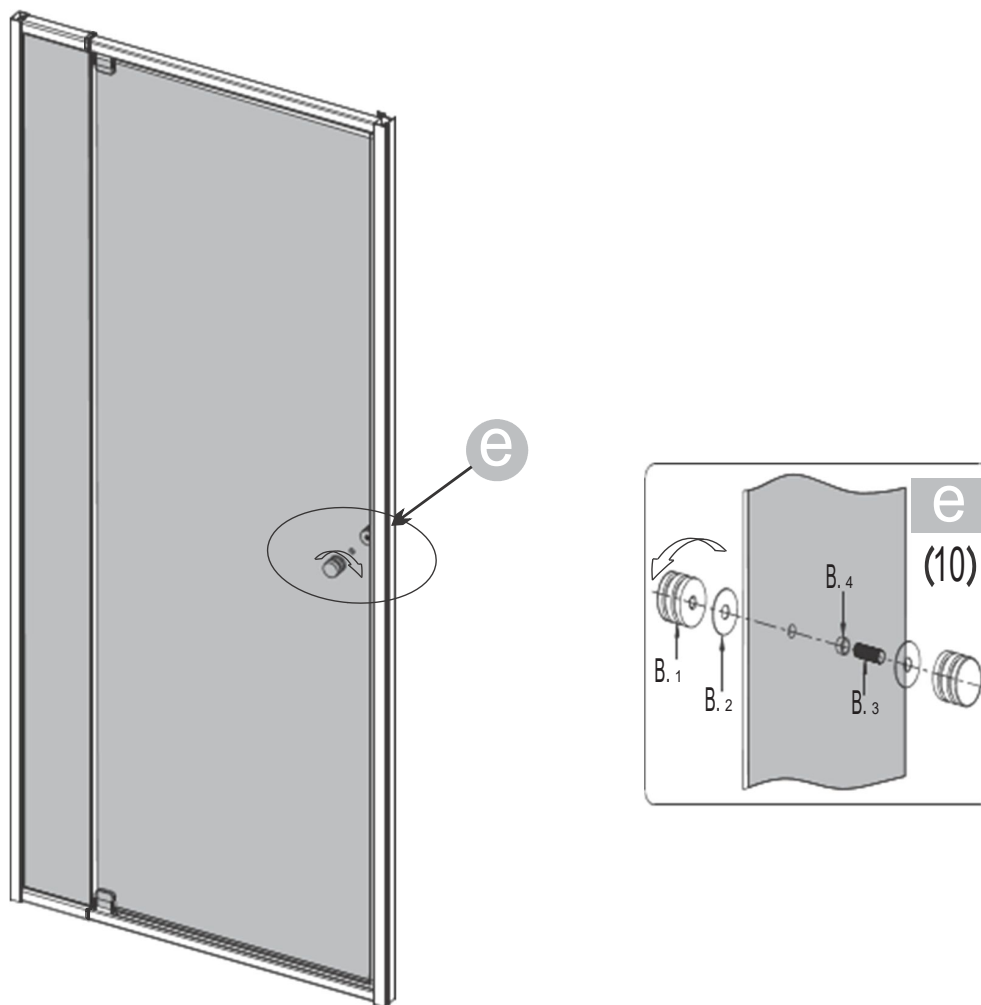
Align the top of the glass door with the Head rail, making sure the gap is even. this can be adjusted by pushing the top as far as possible into the channel and the Bottom in the opposite direction. You may need to reverse this to achieve an even gap



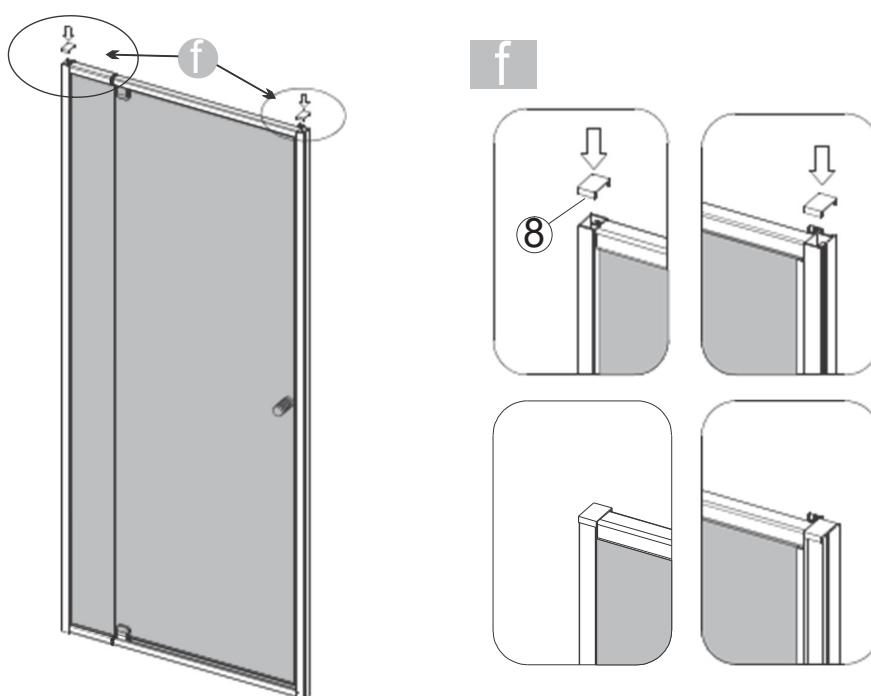
d



SEMI FRAMED ADJUSTABLE FRONT ONLY PIVOT DOOR

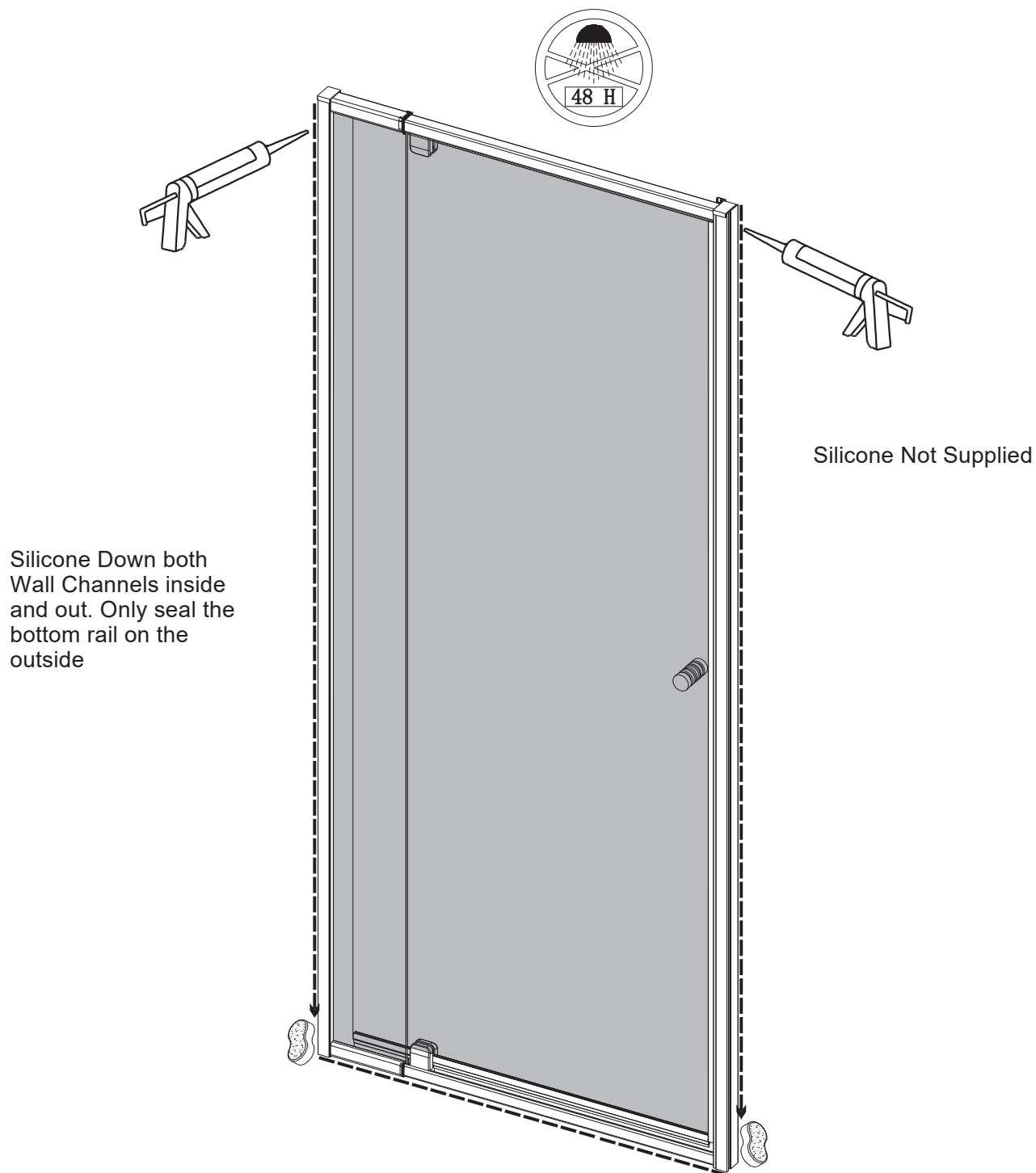


Top Caps to cover top of Wall Channels



Plumbers, please ensure a copy of the installation instructions is left with the end user for future reference

SEMI FRAMED ADJUSTABLE FRONT ONLY PIVOT DOOR



SEMI FRAMED ADJUSTABLE FRONT ONLY PIVOT DOOR

DETAILED CLEANING INSTRUCTIONS

Easy Clean Treated Glass

After showering we strongly recommend you squeegee the glass to remove water from the surface.

A weekly clean using water and 30% vinegar or a mild detergent is all it takes to remove dirt, soap scum and other contaminants.

Spray the vinegar and water on the glass and wipe with a soft cloth, leave this on the surface for several minutes before rinsing and drying the glass.

Aluminium Frame and Metal Components

The simplest and most preferred method of cleaning your unit is by washing with clean water and drying with a soft cloth.

Do not use Abrasive powders, steel and Teflon pads or dirty and gritty rags. The anodised coating on the Aluminium is one of the hardest substances known, however, it will be damaged by strong acidic or alkaline solutions. These solutions may dull and discolour the finish.

The most reliable preventative measure to preserve your screen is to wipe the surface dry with a soft cloth after each use.