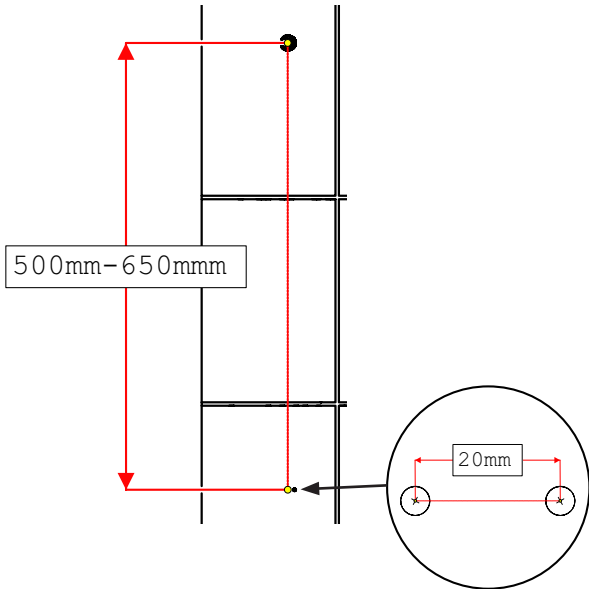
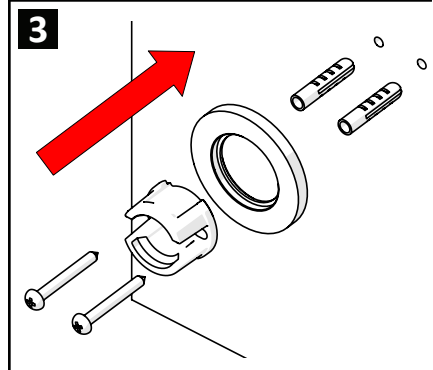
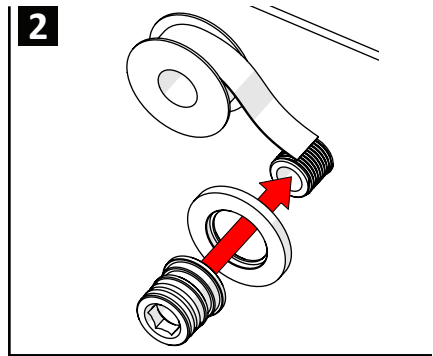
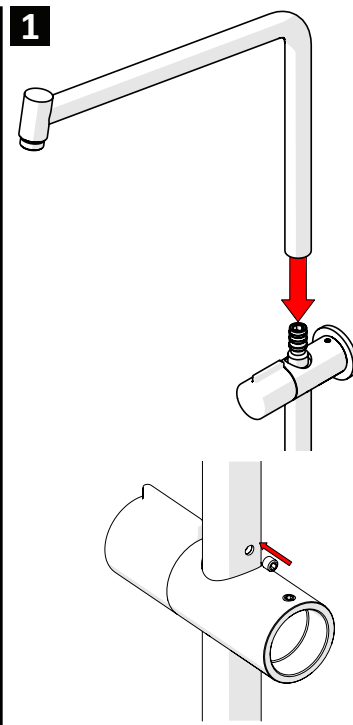


### Milli Marq Edit Twin Rail Shower

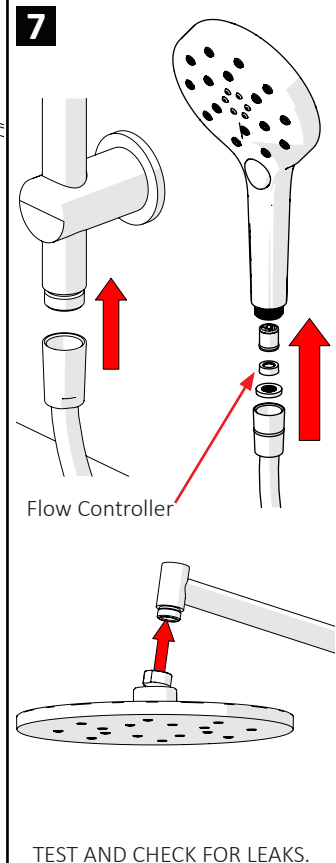
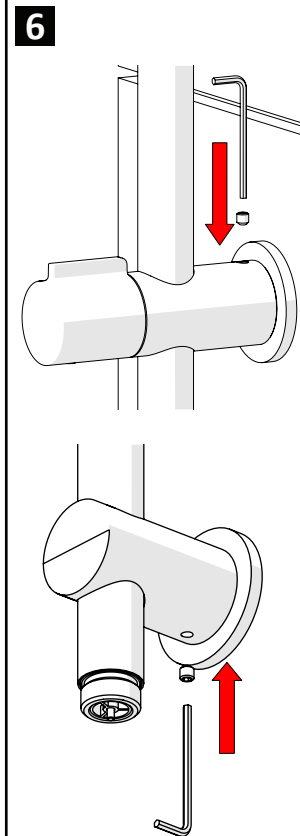
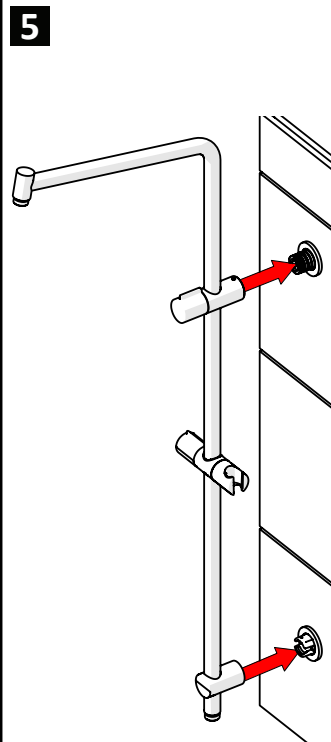
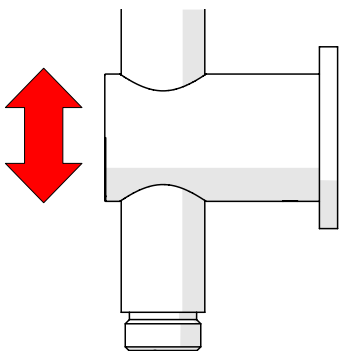
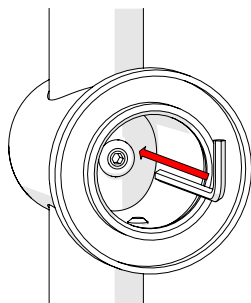
Measure a distance of 500mm-650mm down from the G1/2 thread and mark two points with a center-to-center spacing of 20mm. Proceed to drill two holes at the marked positions.



ALWAYS MEASURE PHYSICAL PRODUCT



**4** To adjust the bottom pillar, use the supplied Allen key to loosen it as shown. Move it to the required distance and tighten it securely.



TEST AND CHECK FOR LEAKS.

Where showers incorporate flow controllers, instructions that care be exercised during installation to ensure that the male connecting threads do not damage the flow controllers.

#### Care Details

We recommend the use of soapy water or approved cleaners. This product should not be cleaned with abrasive materials. Damage caused by any improper treatment is not covered by the product warranty. Refer to Warranty Conditions

Installation should comply with Australian standard AS3500.1 or relevant local authority requirements. Showers may not be suitable for use within:

- Gravity-fed water systems
- Some instantaneous hot water systems

Any flow controller incorporated in the outlet to be tightened to prevent removal by hand. As Per AS3718

**Plumbers, please ensure a copy of the installation instruction is left with the end user for future reference.**

