

Mizu Drift MK2 Sink Mixer Chrome (4 Star)

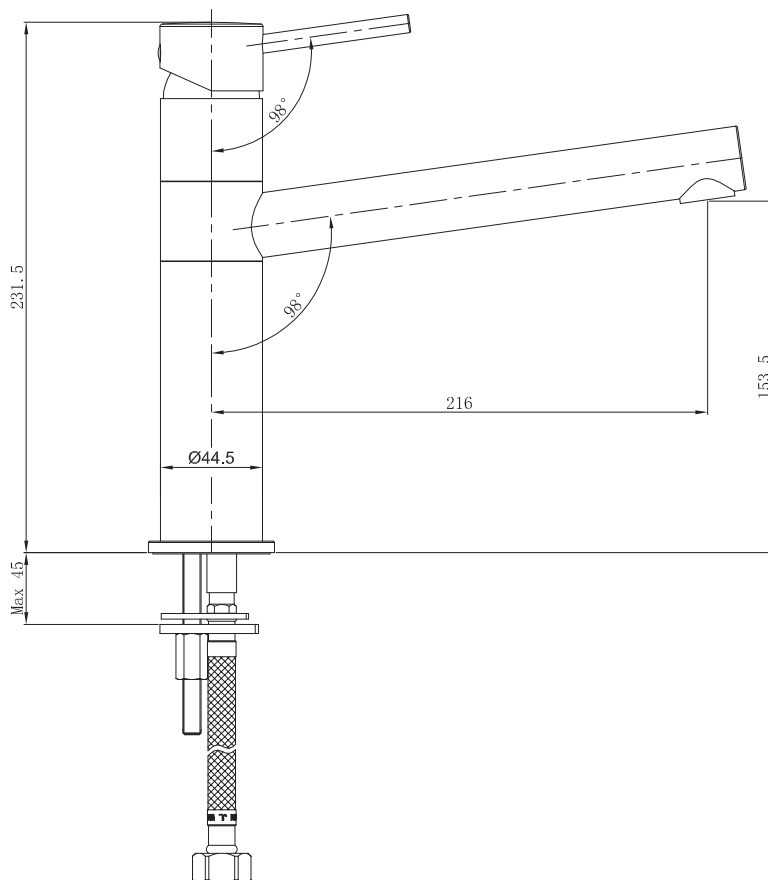
SPECIFICATIONS

Recommended Use	Domestic, hotel and commercial
Colour Availability	Chrome, Matte Black
Material	Brass
Cartridge Type	Ceramic Disc
Recommended Pressure Range	150 - 500 kPa
Max Continuous Working Pressure	1000 kPa
Max Continuous Working Temperature	65 deg C
Suitable for Storage Tank Hot Water	Yes
Suitable for Continuous Flow Hot Water	Yes
Suitable for Gravity Feed Hot Water	No

WARRANTY

Warranty - Domestic Use	10 Years
Spare Parts & Labour	12 Months

Please refer to Warranty Page for full Terms and Conditions



Dimensions are nominal measurements only.

Disclaimer: Products in this specification manual must by regulation be installed by licensed and registered trade people. The manufacturer/distributor reserves the right to vary specifications or delete models from their range without prior notification. Dimensions are nominal measurements only. Dimensions and set-outs listed are correct at time of publication however the manufacturer/distributor takes no responsibility for printing errors.

Published 06/12/2019

