

posh

Domaine Conventional Wall Hung

✓ PRIOR TO INSTALLATION CHECKLIST



This product must be installed by a qualified tradesperson and we would expect the installation to be undertaken in a tradesperson like manner and finished to a tradesperson standard. This product carries a full warranty against faulty workmanship and materials.

Please inspect thoroughly before installation to ensure that the product has not been damaged and is correct. No claims for damage or incorrect items will be recognised after installation.



IT IS THE RESPONSIBILITY OF THE INSTALLER TO MAKE ANY ADJUSTMENTS TO DOORS/DRAWERS AFTER INSTALLATION IF REQUIRED.

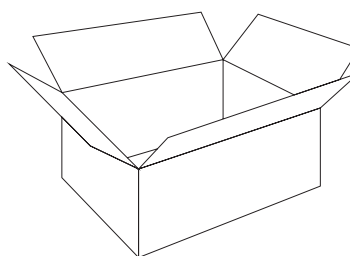
1 Check Products For Any Damages

Within 48 hours of receiving your goods, unpack your ADP product and check for any possible freight damages or incorrect items.

Please contact your place of purchase to report damages or missing parts.

No claims for damages will be recognised after installation.

Please note: fixing screws/bolts are not supplied for installation.



2 Positioning & Ventilation

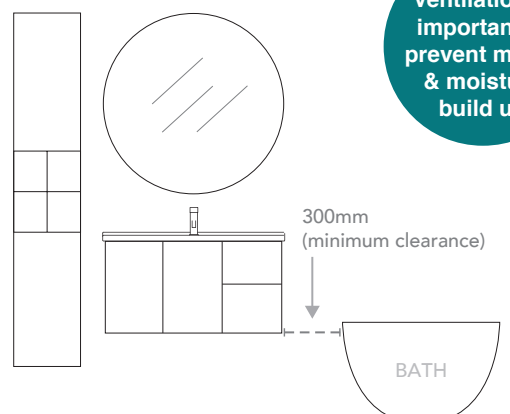
Planning your bathroom furniture placement is critical.

Furniture must be at least 300mm away from any wet areas. Materials used in the construction of our furniture units are moisture resistant, not water proof.

Do not expose furniture to shower spray.

It is important that your bathroom is adequately ventilated to eliminate moisture build up.

High humidity will lead to permanent dampness and mould resulting in a deterioration of the materials in your bathroom.

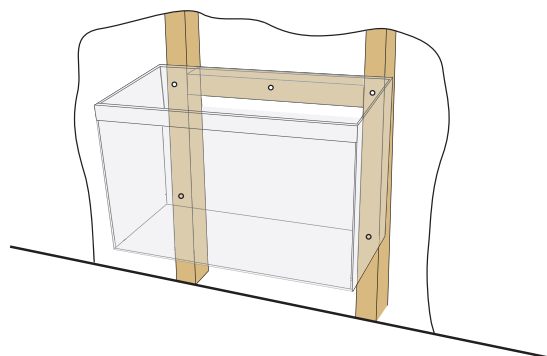


3 Check for Support Beams

Wall hung furniture & basins require fixing to a support beam fitted between the studs to give a solid wall backing to attach the vanity to.

If necessary, fix additional support noggins at desired height for cabinet and basin fixing prior to sheeting the wall.

Ensure total width of support noggin exceeds vanity width.



posh

Domaine Conventional Wall Hung

4 Check for Plumb Walls & Level Floors

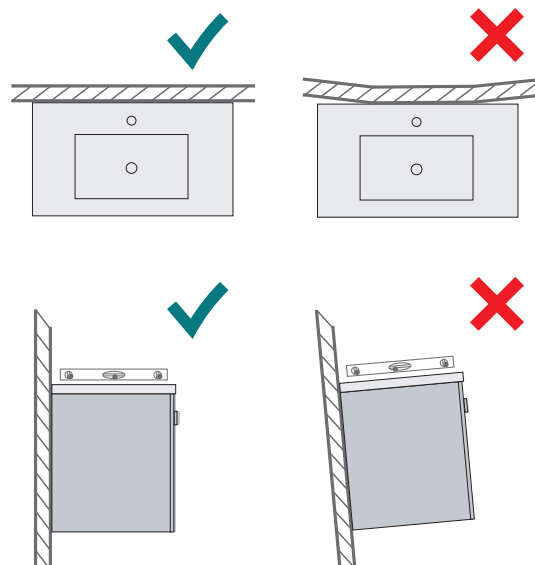
Ensure the wall is plumb and straight, ensure floor is level. If you fix the product to a non-plumb wall or floor the following could happen:

- Your door or drawers will not operate correctly.
- Door or drawers will not align.
- Basins will not sit level, which may cause water to pool or not drain properly.

If it is not possible to make the wall or floor plumb and straight you must pack the vanity out so that it does not follow the out of aligned wall.

Floor standing vanities must sit on a level floor or be packed so they sit level and true.

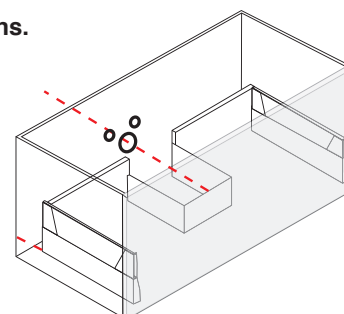
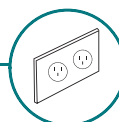
Please note if your vanity is fixed to a bowed wall, the fastening of the fixings will force your cabinet to twist and benchtop materials may crack due to increased stress on joins and materials.



5 Check Plumbing Positions Align with Product Interior Configurations.

Take note of clearances behind drawers when considering water supply fittings inside cabinet.

Please note if your product has any electrical fittings please allow for this and talk to your electrician

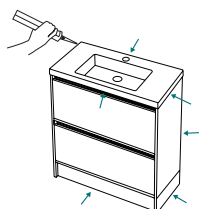


! IMPORTANT TIPS



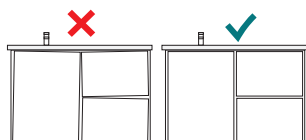
ENSURE ALL TILES EXTEND BEHIND AND BENEATH THE BATHROOM FURNITURE.

ADP do not recommend tiling in furniture due to moisture and mould build up which can damage the material and void the warranty.



ALL AREAS WHERE CABINET/TOP MEETS WALL AND/OR FLOOR MUST BE SEALED USING A NEUTRAL CURE SILICONE.

All edges where vanity top meets cabinet, wall or surrounding furniture must be sealed with a continuous bead of silicone.



IT IS THE RESPONSIBILITY OF THE INSTALLER TO MAKE ANY ADJUSTMENTS TO DOORS/DRAWERS AFTER INSTALLATION IF REQUIRED.

There may have been some movement in transportation and installation which causes doors/drawers to become unaligned.

Plumbers, please ensure a copy of the installation instructions is left with the end user for future reference

reece

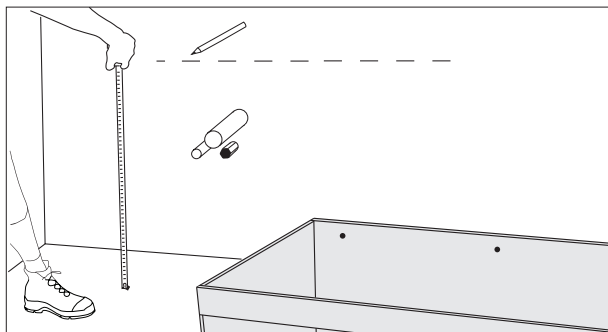
posh

Domaine Conventional Wall Hung



VANITY INSTALLATION

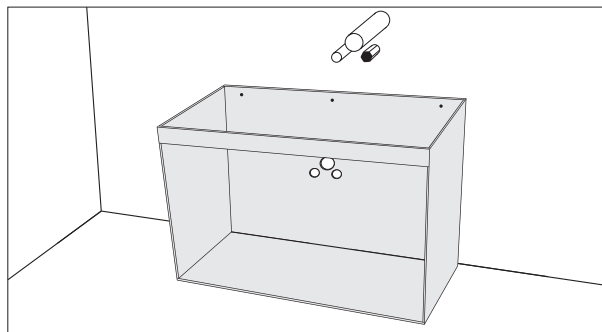
1. LOCATION



After completing the Prior to Installation Checklist, mark the position of the top of the vanity. Don't forget to factor in the top/basin thickness to get the correct height.

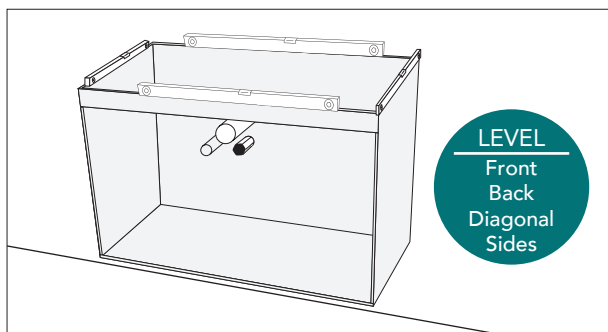
Note: Vanity must attach to a minimum of two support beams, mark these positions.

2. PREPARING THE CABINET



Remove doors and drawers. Measure correct plumbing locations and drill holes for plumbing in the back panel and/or base of the cabinet with an appropriate sized hole saw. Pre-drill screw locations for fastening to wall.

3. LEVELING



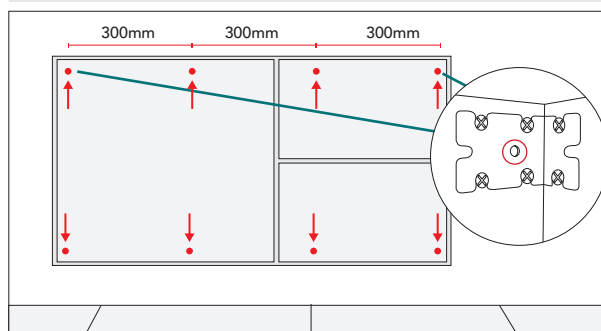
Position the vanity over the pipes in the correct position and fix with a single screw in centre of vanity to hold in place.

Check the vanity is completely level.

Wall Hung vanities: You may want use a level support/noggin to assist while leveling.

Floor Mount Vanities: You may need to pack the vanity to ensure it is sitting level & square on the floor.

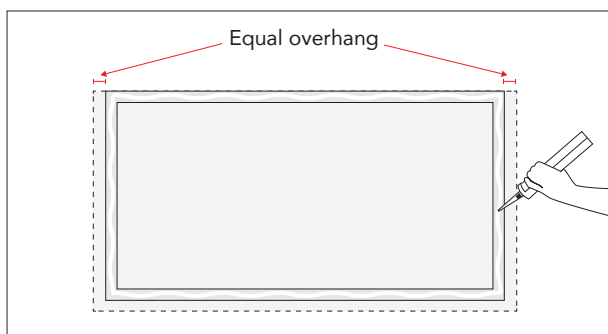
4. SECURING THE CABINET



Securely fasten the vanity to the wall through back of vanity with appropriate screws/bolts at TOP and BOTTOM of cabinet. Fix the cabinet through the top left and right hand brackets and evenly space apart the horizontal fixings at a maximum of 300mm apart. For the bottom start the fixing points no further than 100mm from each end of the cabinet and no higher than 50mm from the base panel.

Note: Where a stud or support beam cannot be located, use an appropriately sized hollow wall anchor. Vanity must attach to a minimum of two support beams. Ensure fixings clear all water/electrical services in wall.

5a. FIX TOP / BASIN

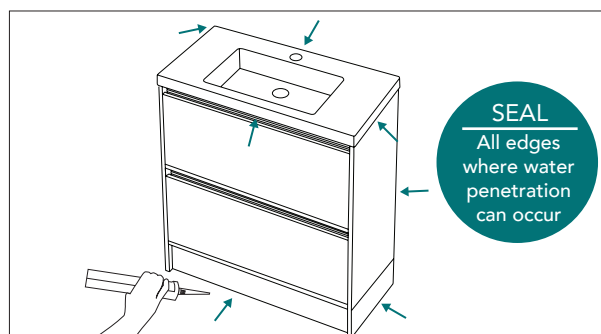


Using a non-acidic silicone, apply a continuous bead of silicone to the top four edges of the vanity and at the back where the top meets the wall. Position the top so it has equal overhang on each side, ensuring the top surface is level.

If using a separate basin, position in place and fully seal the basin to the top /cabinet using a continuous bead of silicone.

Note: Seal any visible gaps between the cabinet and the top and basin with continuous bead of silicone.

6. SEALING



Apply non-acidic silicone to all edges where vanity top and cabinet meet the wall and floor.

Materials used in the construction of this unit are water resistant NOT water proof, so all areas need to be sealed to prevent water penetration.

Note: Gap sealant can be used in place of silicone where the unit meets tiled surfaces.

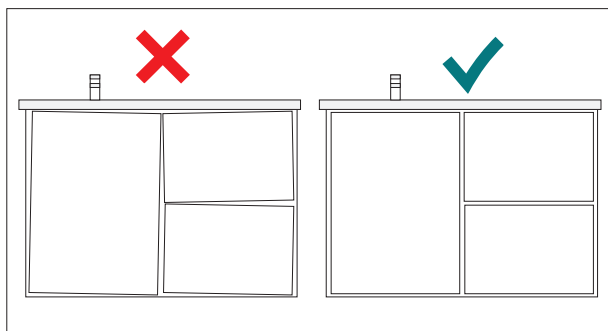
Plumbers, please ensure a copy of the installation instructions is left with the end user for future reference

reese

posh

Domaine Conventional Wall Hung

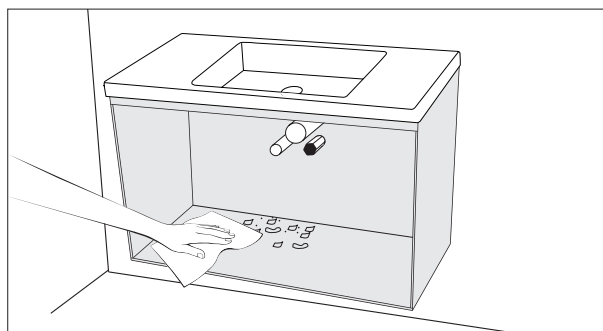
7. ADJUST DOORS & DRAWERS



Install drawers and doors back onto cabinet and make adjustments to align the doors and drawers correctly.

NOTE: IT IS THE RESPONSIBILITY OF THE INSTALLER TO MAKE ANY ADJUSTMENTS TO DOORS AFTER INSTALLATION.

8. CLEANING



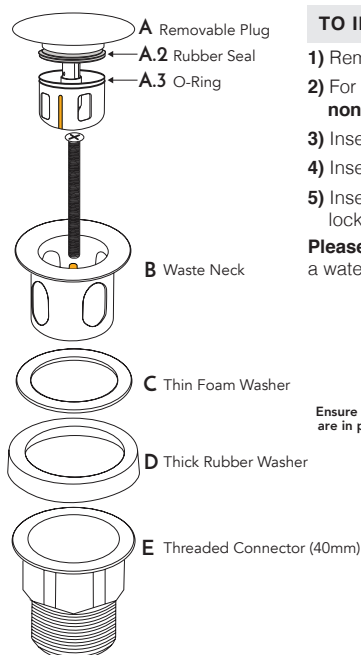
Clean all building residue from the cabinet. Dry any spillage or leakage of water on or inside the cabinet during installation.

Note: Ensure drawer runners are free of any debris as this may effect the operation.



UNIVERSAL PLUG & WASTE INSTALLATION

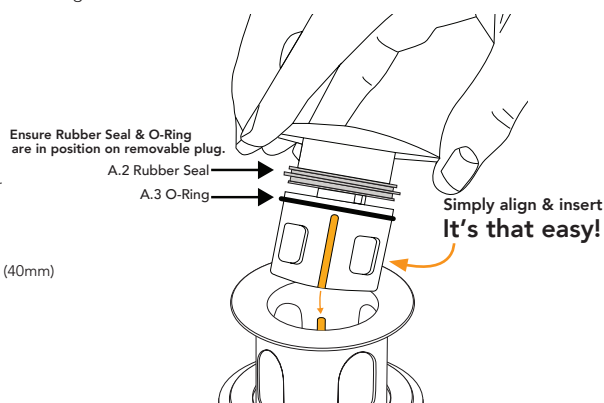
Note: All plumbing components must be installed by a licensed plumber.



TO INSTALL

- 1) Remove washers and removable plug (A) & check waste fits in hole.
- 2) For ceramic basins - Place thin foam washer (C) in position under rim of Waste Neck (B) & seal in place with a **non-acidic silicone**. For all other basin material types, you do not need foam washer (C) before sealing in place.
- 3) Insert into centre of waste hole.
- 4) Insert Rubber Washer (D) on top of section (E) and screw on (**hand tight only**).
- 5) Insert Removable Plug (A) into the Waste Neck (B), ensuring you align the grooves until the waste is seated & locked into place.

Please Note: Ensure Rubber Seal (A.2) and O-Ring (A.3) are installed on Removable Plug (A) in order to provide a watertight seal.



IMPORTANT

Avoid overtightening waste to prevent stress & damage to the basin or top

HAND TIGHTEN ONLY

Must be sealed with
NON-ACIDIC
silicone sealant

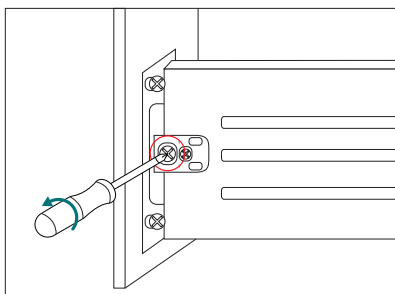
posh

Domaine Conventional Wall Hung

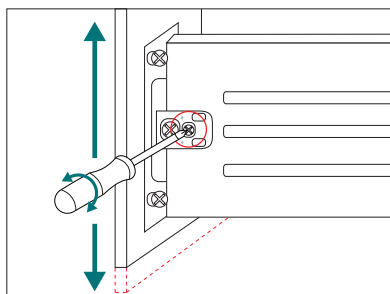


PRESSED METAL DRAWERS

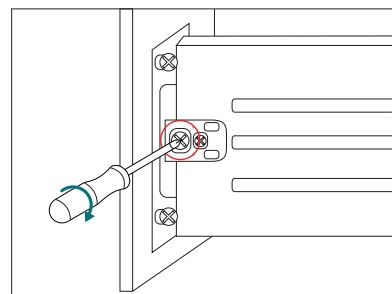
DRAWER HEIGHT ADJUSTMENT



Loosen the front screw.

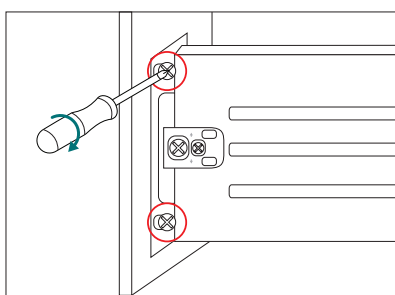


Turn the back screw to adjust the height of the drawer front. Turn anti-clockwise to go up and clockwise to go down.

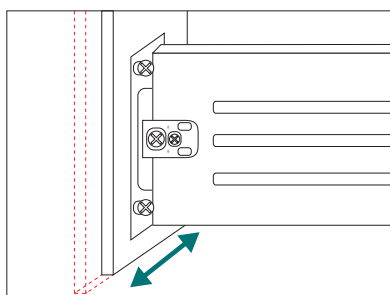


When drawer height is aligned, tighten the front screw. Repeat on both sides of drawer if needed.

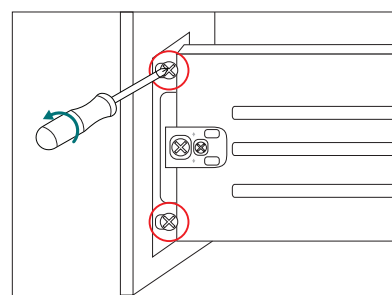
DRAWER LATERAL ADJUSTMENT



Loosen top and bottom screws on both sides of drawer.



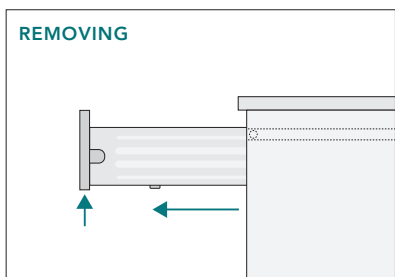
Slide drawer front left or right.



When drawer front is aligned, tighten all screws in place.

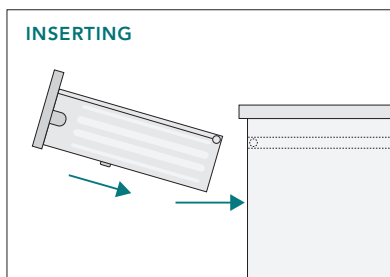
REMOVING & INSERTING DRAWER

REMOVING



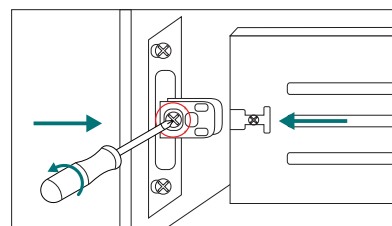
Slide drawer out, lift up and out to remove.

INSERTING



Insert drawer on an angle. Align top of metal sides onto runners in cabinet and push into place.

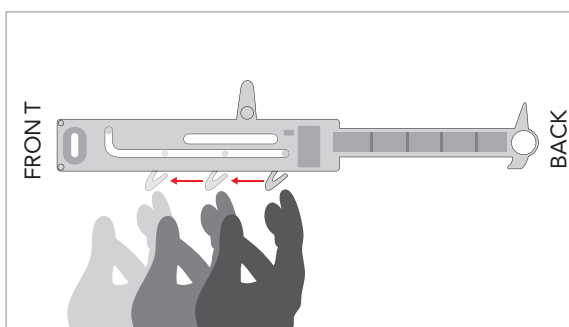
DRAWER FRONT REMOVAL AND INSTALLATION



To remove drawer front: Loosen front screw on both sides until drawer front comes off.

To install drawer front: Align drawer front with sides of drawer and tighten front screw to secure in place.

TROUBLESHOOTING - HOW TO RE-ENGAGE THE SOFT-CLOSE ADAPTER



Soft-close not working?

1. Remove drawer.
2. On inside of cabinet, re-set the trigger by pulling the tab towards the front of the cabinet.
3. Insert drawer and the soft-close should re-engage.

Note: If this does not solve the problem, your cabinet may not be level or plumb as there could be an alignment issue.

Plumbers, please ensure a copy of the installation instructions is left with the end user for future reference

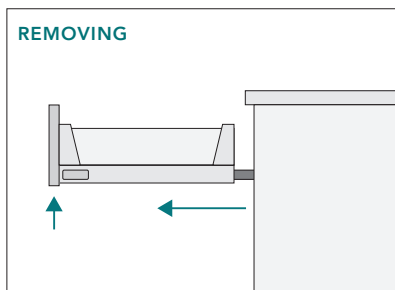
posh

Domaine Conventional Wall Hung



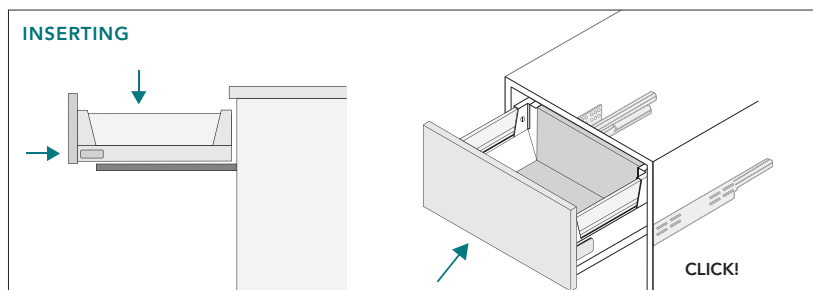
PREMIUM SOLID SIDED DRAWERS

REMOVING & INSERTING DRAWER



REMOVING

Pull drawer all the way out then lift the front up, a little force is needed to release the drawer from the runner.

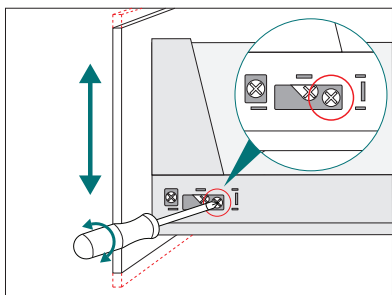


INSERTING

Extend drawer runners out and place drawer on runners and push closed until it is about 2cm out from the vanity. Apply a little extra force on the drawer front (near the bottom of drawer) to push closed.

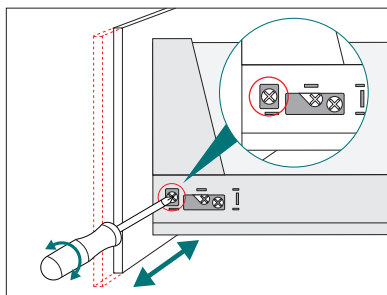
and connect runners in place. The drawer should then be automatically connected to the runner by the two catches. Listen for a click!

DRAWER HEIGHT ADJUSTMENT



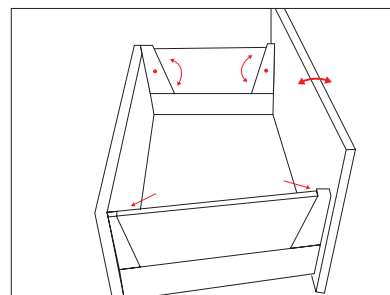
Remove ADP cap to access screws. Turn the back screw to adjust the height of the drawer front. Turn clockwise to go up and anti-clockwise to go down.

LATERAL ADJUSTMENT



To move drawer front to the right, turn right screw clockwise and left screw anti-clockwise. Turn the opposite way to move to the left.

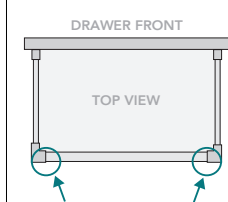
TILT ADJUSTMENT



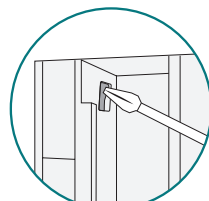
To tilt drawer front, turn adjustment screws on inside of drawer at the front and back, on both sides.

DRAWER FRONT REMOVAL AND INSTALLATION

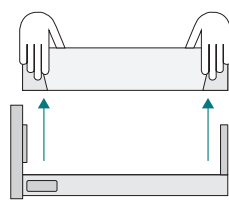
First you will need to remove the Solid or LED drawer side:



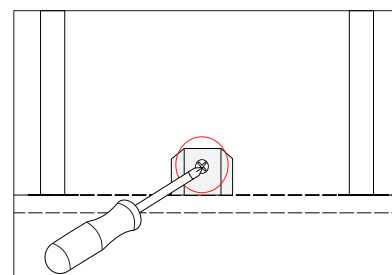
Identify plastic lugs - lugs are at the back of the drawer on each side at the top.



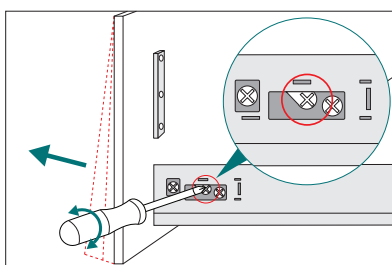
With a screw driver push into the lug to release the side and start pulling up.



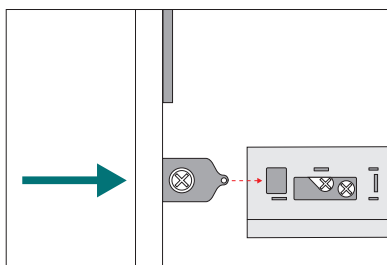
Pull the drawer side up and off with both hands, sliding off the fixing brackets. Repeat on both sides.



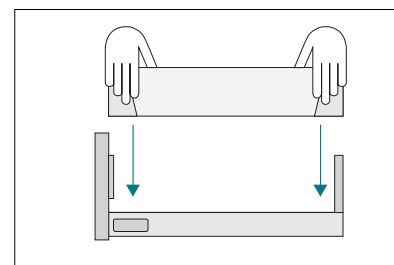
Depending on width of drawer you may need to unscrew and remove middle bracket on the under side of the drawer.



To remove drawer front: Turn centre screw and pull drawer front forwards. Repeat on other side.



To replace drawer front: Align front panel with drawer sides, apply some pressure at the bottom on both sides and push in to secure.



Slide the drawer sides down onto the fixing brackets until the lug secures side in place. Repeat on both sides.

Plumbers, please ensure a copy of the installation instructions is left with the end user for future reference

reece

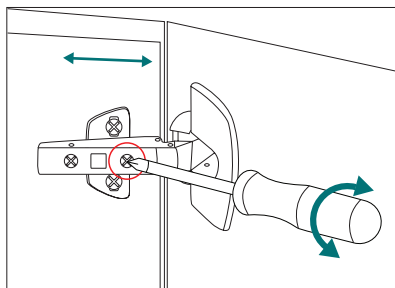
posh

Domaine Conventional Wall Hung



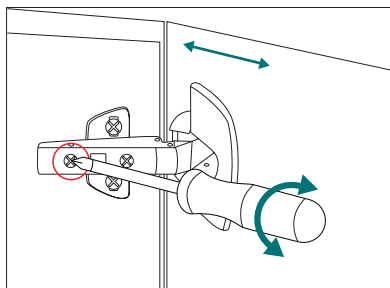
DOOR HINGE ALIGNMENT

SIDE ADJUSTMENT



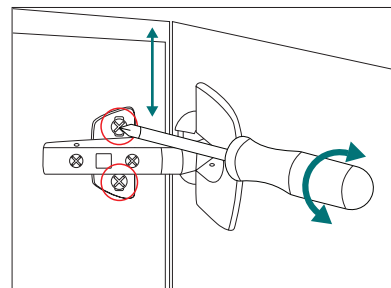
Use front screw to move door to the left or right, or to level each door.

DEPTH ADJUSTMENT



Use back screw to move door inward or outward from carcass.

HEIGHT ADJUSTMENT

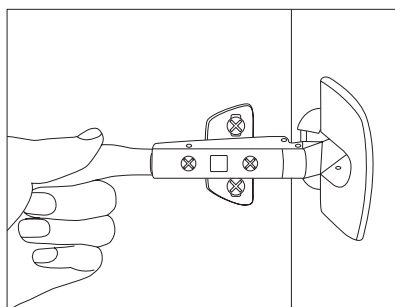


Loosen the top and bottom screw on mount plate, adjust door height by moving door up or down, then retighten screws.



DOOR HINGE INSTALLATION

REMOVING & INSTALLING DOORS



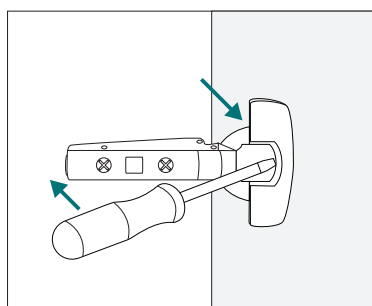
TO REMOVE DOORS:

Apply finger pressure to clip at back of hinge and pull forward to release.

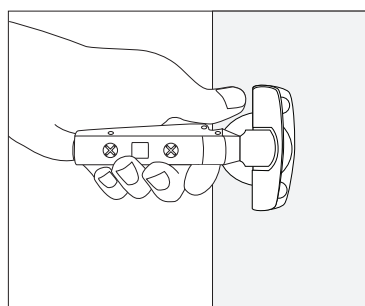
TO INSTALL DOORS:

Align door hinge with hinge mount on carcass, press back of hinge into place and listen for a 'click' to lock the hinge in place. You may need to apply a little force to lock the hinge in place.

REMOVING HINGE FROM DOOR

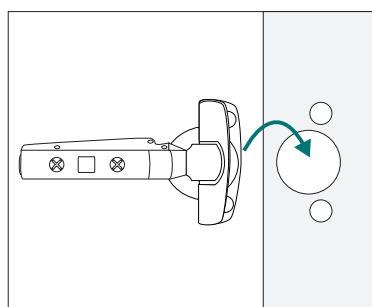


Once you have removed door from the cabinet, using a flat head screw driver, lift and release the top cover plate.

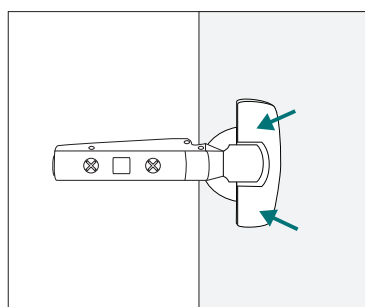


Pull hinge up and out from door. You may need to wiggle the hinge to loosen and use a little force.

REPLACING HINGE ON DOOR



With top cover plate lifted, place hinge into position on door and insert into holes until flush.



Once secured in position, click cover plate down to lock into place.

Plumbers, please ensure a copy of the installation instructions is left with the end user for future reference



Domaine Conventional Wall Hung



CARE & MAINTENANCE

If you cannot identify basin, top or cabinet material of your product, contact your merchant or see product information at www.adpaustralia.com.au.

TIPS

- ADP products are produced from materials that are well suited to the bathroom, however it is important that your bathroom has sufficient ventilation to avoid excessive moisture. High humidity will lead to permanent dampness and mould, resulting in deterioration of the materials.
- Care must always be taken to dry any excessive moisture or water spillage.

CABINETS

- To maintain the finish on your cabinet use only a soft cloth and weak solution of non abrasive detergent.
- To remove scratches, marks, etc. on two pack polyurethane, rub gently with car cutting compound, car polish or household brass/silver cleaner.
- Goods used in construction are water/moisture-resistant, but not water-proof.
- All cabinets should be installed at least 300mm away from showers or bathtubs to avoid water damage.

ACRYLIC TOPS

- To maintain the finish on your Acrylic top use only a soft cloth and weak solution of non-abrasive detergent.
- To remove scratches, marks, etc. rub gently with car cutting compound, car polish or household brass/silver cleaner.

CERAMIC TOPS

- To maintain the finish on your ceramic top use only a soft cloth and weak solution of non abrasive detergent.
- Due to the glazed surface of ceramic tops, scratches cannot be repaired or removed.
- Due to ceramic being a handcrafted product that is fired at high temperatures, some visual distortion may occur. This is not a defect but can be seen to add to the beauty of the product.

CHERRY PIE / FRIDAY HYBRID QUARTZ

- Wipe clean with a soft damp cloth or sponge.
- For basic stains clean with mild detergents. For **gloss and semi-gloss** surfaces you can use a non abrasive polish or Brasso. For **matte** surface use a scourer pad or scotch bright to maintain the matte finish.
- Cherry Pie and Friday Hybrid Quartz™ benchtops have excellent heat and chemical resistant properties compared to other surfacing products, however to preserve the surface and protect against damage from heat, do not place hot items directly on the surface. Even though Cherry Pie and Friday™ can withstand high temperatures, prolonged periods or extreme heat can cause permanent damage.

BAMBOO

- Use a soft dry microfiber cloth and mild detergent. Remove residual detergent with a damp cloth.
- All spills should be cleaned immediately. Dry the surface with a soft, clean dry cloth to remove all water and to reduce streaking.
- A non-abrasive household cleaner may be used.