

Mizu Stream Shower Mixer with Diverter

INSTALLATION INSTRUCTIONS

Note:

Mixer must be installed by a licenced plumber.

Important:

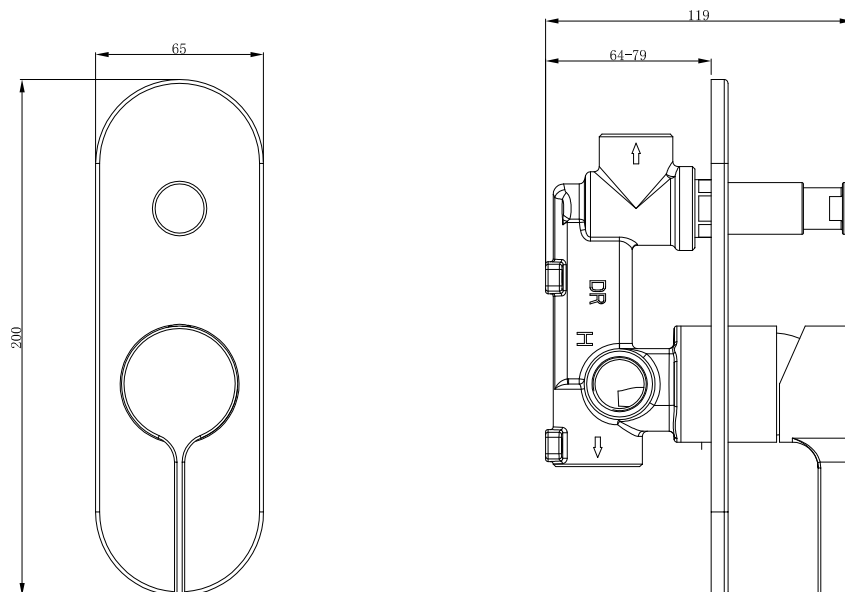
Your mixer comes to you already factory assembled and tested. We do not recommend the dismantling of any internal part of the mixer. The mixers are factory tested and sealed so as to give the best performance.

Installation Procedure:

1. Please flush out new pipe work prior to connecting the new mixer.
2. This tap is suitable for high pressure where both hot and cold water supply is at 150kPa or above.
3. During installation protect the exposed finish surface by using the plastic cover provided. Please pay attention to installation minimum/maximum depth.
4. In a typical installation, the mixer is mounted on a timber/metal noggin and secured with screws.
5. Shower Mixer Outlet must always face up toward shower. Connect the mixer to hot and cold water supply.
6. Pressure check all connections. Leaking joints are not covered by the warranty.
7. When ready for finishing, remove the plastic cover and fit the cover plate and handle.

Servicing - Replacement of Cartridge

1. Remove decorative cap and unscrew grub screw.
2. Lift handle and remove the cartridge dome.
3. Unscrew lock nut and remove cartridge.
4. Replace cartridge, replace lock nut, check for water leaks.
5. Replace dome, coverplate and handle.



Dimensions are nominal measurements only.

Please ensure a copy of the installation instructions is left with the end user for future reference.

Published 14/08/2020

Mizu Stream Shower Mixer with Diverter

COMPONENT LISTING

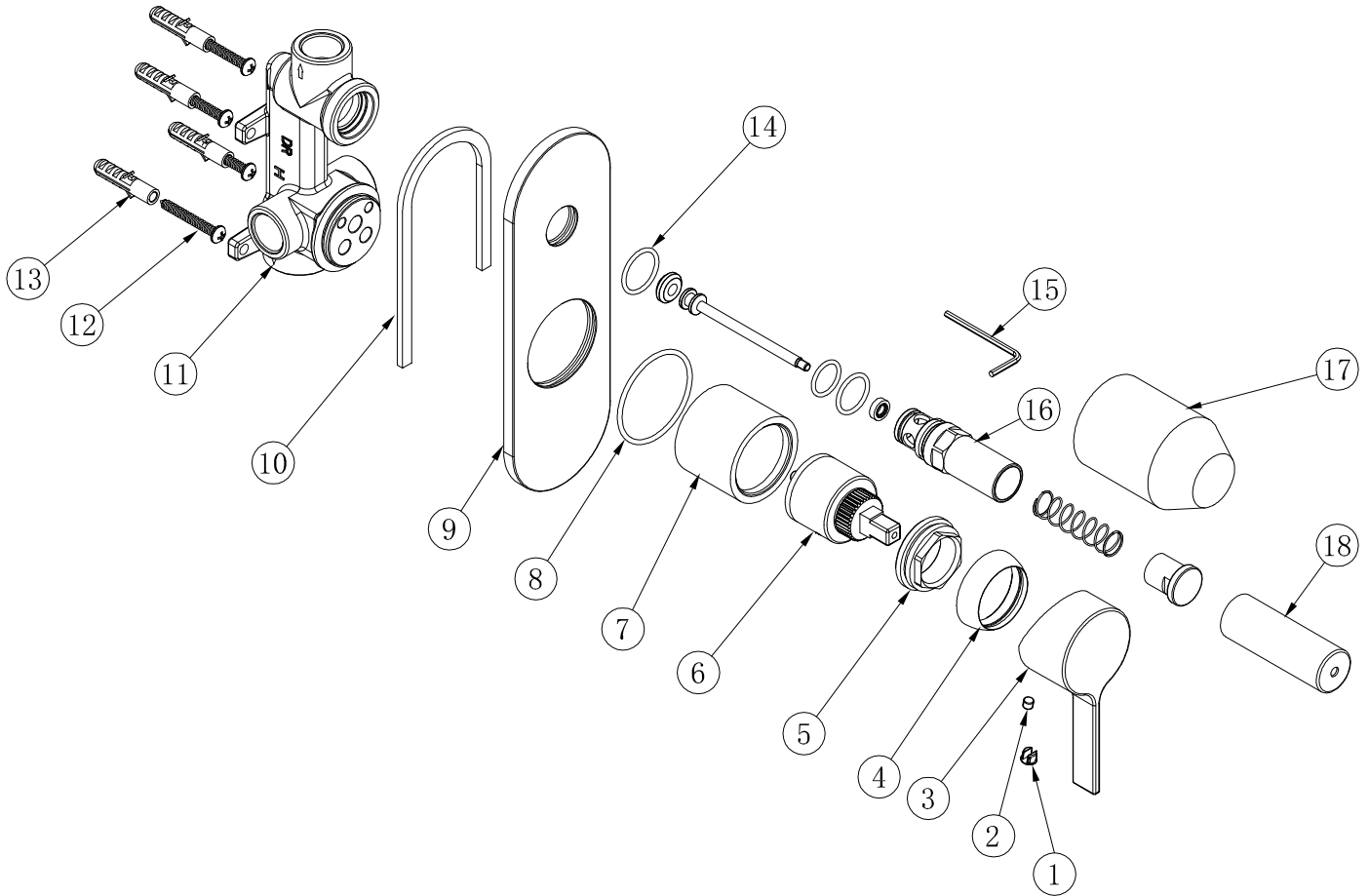


DIAGRAM NUMBER	DESCRIPTION	COMPONENT CODE	DIAGRAM NUMBER	DESCRIPTION	COMPONENT CODE
1	Handle Complete	202030410726	10	Foam-Rubber Cushion	207011131771
2		205010641601	11	Body	201612080111-DR
3		202019620226	12	Self Tapping Screw	205011321601
4	Cap	205050400126	13	Expansion Screw	207040480701
5	Bonnet	205020030102	14	O-Ring D20*D2 (NBR)	208000280601
6	Cartridge	204010679901	15	Spanner	202060041601
7	Cartridge Cover	206093170126	16	Diverter	204060369926
8	O-Ring D44.5*D2.3 (NBR)	208000640601	17	Safety Cover	206020850701
9	Panel	206025440126	18	Safety Cover	206091610701

Dimensions are nominal measurements only.

Please ensure a copy of the installation instructions is left with the end user for future reference.

Published 14/08/2020