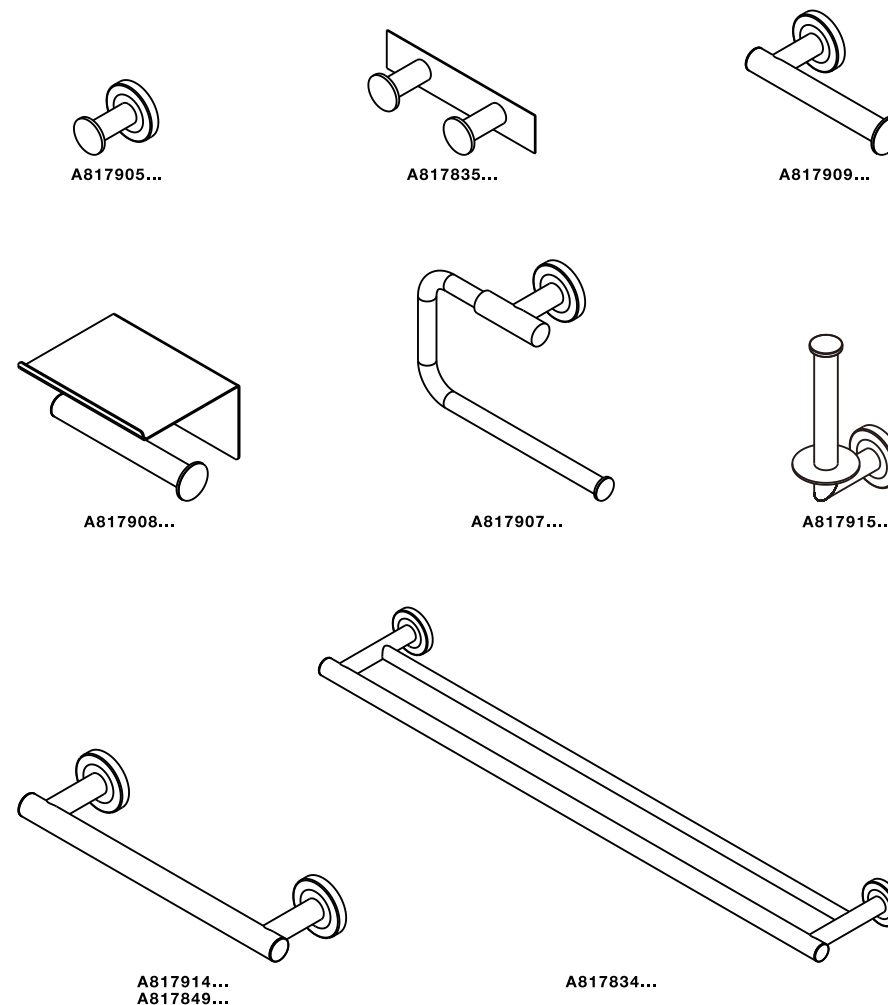
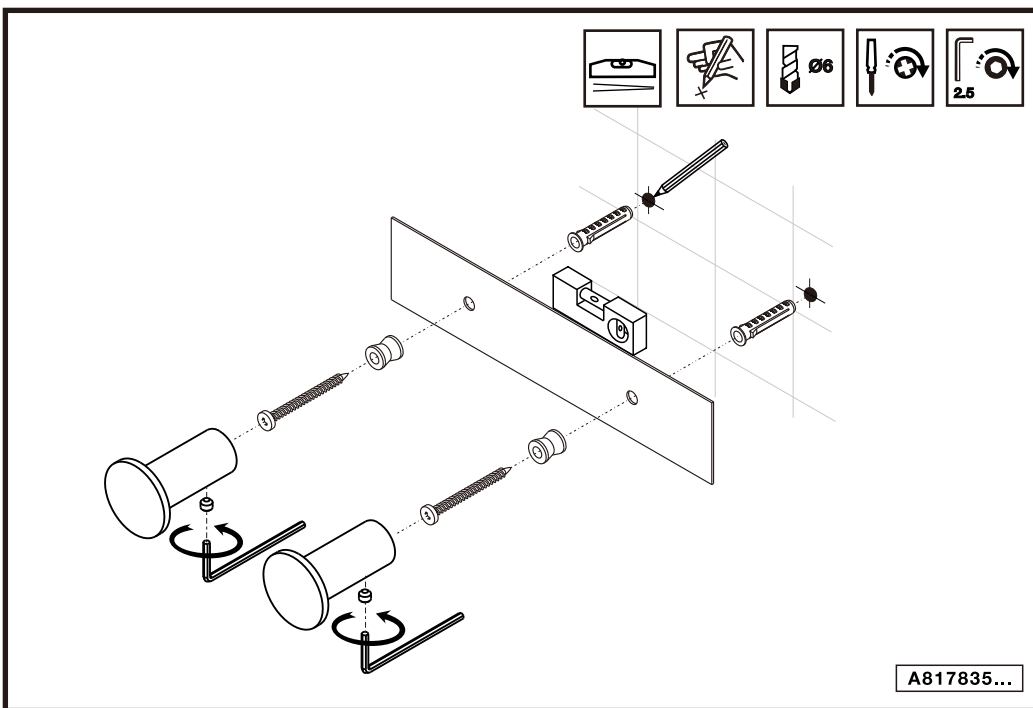




ONA



⚠ WARNING ⚠

It is the installers responsibility to select and source appropriate fixings according to the type of wall substrate used.

Ensure that all fixtures are installed into a noggin. This will ensure stability of the fixtures over time.

Ensure that all fixtures have been installed level.

Care Details: We recommend the use of soapy water or approved cleaners. This product should not be cleaned with abrasive materials. Damage caused by any improper treatment is not covered by the product warranty -refer to warranty conditions at www.reece.com.au.



