

ABEY RANGEHOOD VERTICAL FLUE KIT

Hygiene – In many homes kitchen rangehood exhausts are simply vented into the roof cavity. Over time, cooking gasses and oils expelled from a typical rangehood will build up on the surfaces inside the roof creating an unhygienic and unpleasant environment. Abey's Rangehood Flue Kits expel the cooking gasses and odours outside the house.



Fire Safety – The build up of grease and grime over years of cooking has the potential of being a fire hazard with the potential of fire spreading from an ignited cooking pan racing up the greasy rangehood igniting the built up grime. In situations where inferior plastic conduit may have been used, the plastic, if ignited will actually support combustion. Abey's Rangehood Flue Kits are of metal construction and will not support combustion.

Easy Installation – Abey Rangehood Kits contain all components necessary for easy installation. Available in all inclusive kit forms to suit most applications.



abeytrade.com.au



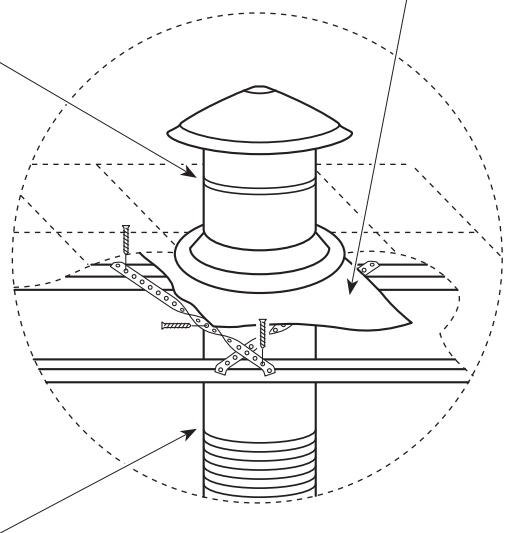
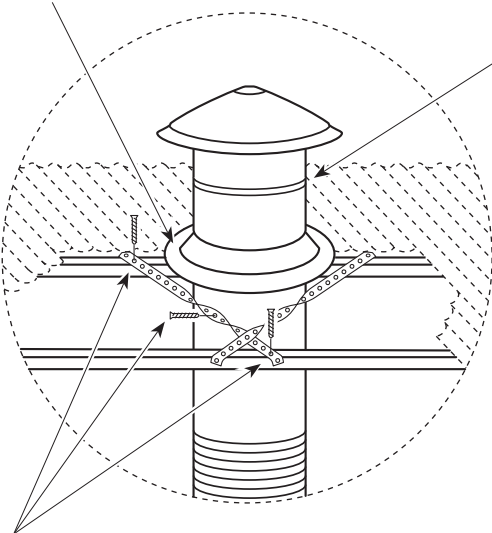
METAL ROOF INSTALLATION INSTRUCTIONS

TILE ROOF INSTALLATION INSTRUCTIONS

Mould Flashing to roof contour & silicon underside of flashing. Screw or rivet onto roof. Cover rivets with silicon.

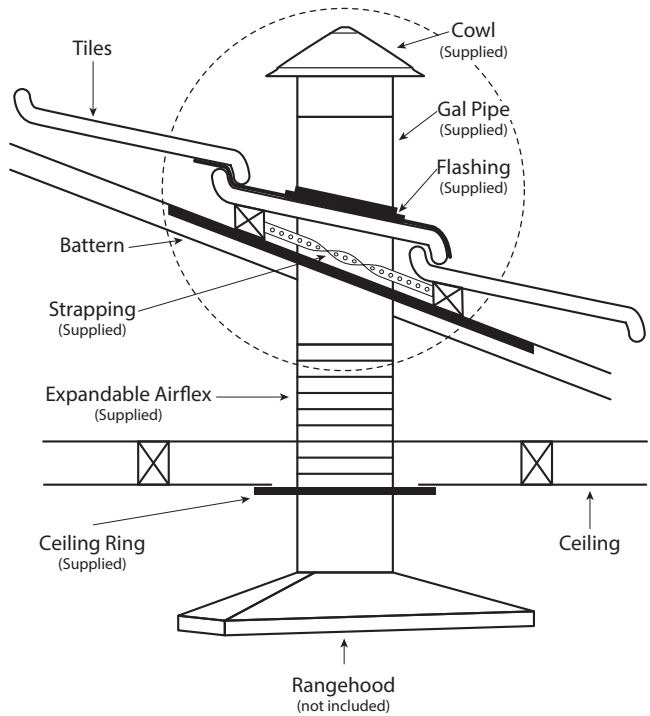
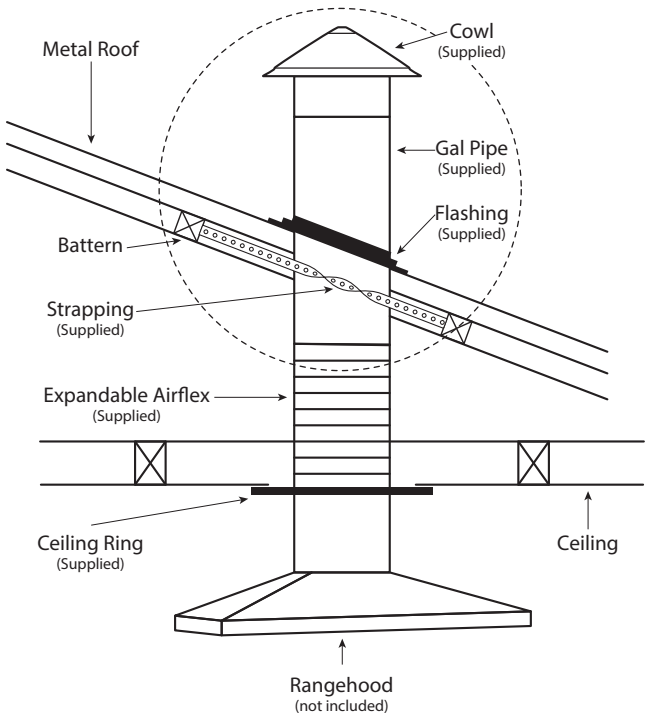
Ensure pipe is vertical on all sides before attaching and fixing cowl in place with rivets/screws.

Mould Flashing to fit tile contours. Flashing to fit under top tiles.



Position and screw/rivet strapping to battens or rafters to hold the flue in place.

Fit flexi flue to galvanised pipe, then fix into place with strapping provided.



abeytrade.com.au