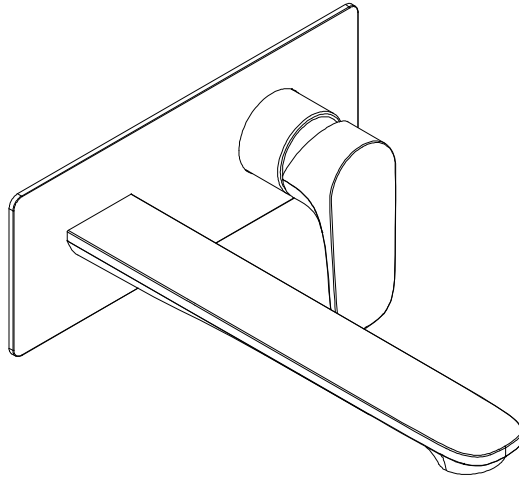
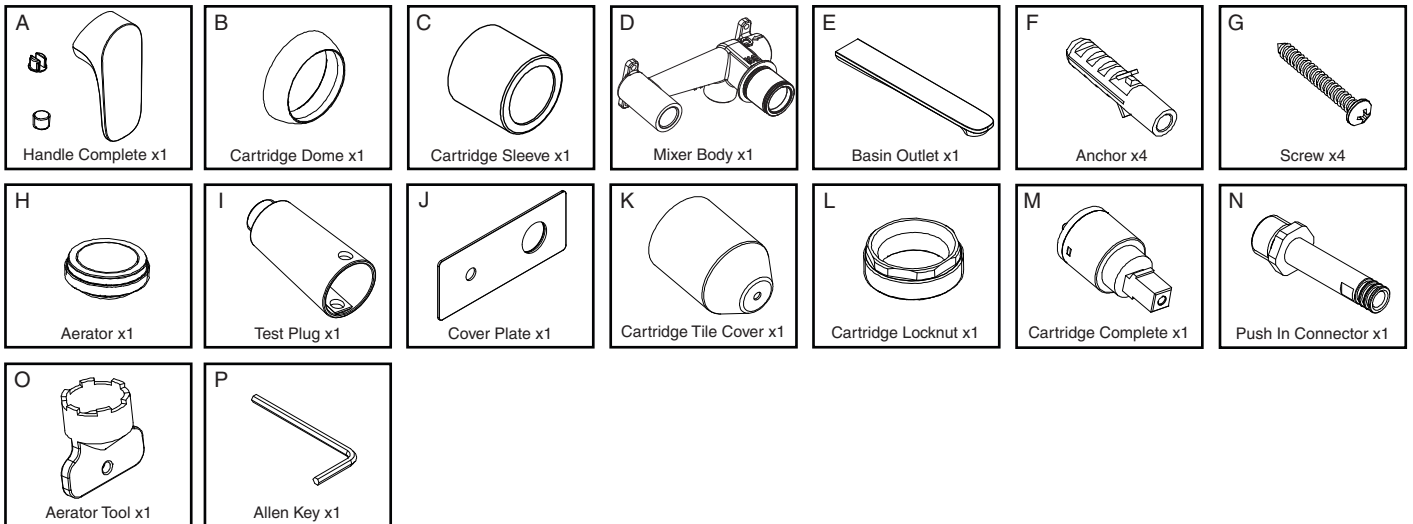


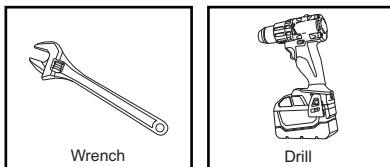
Mizu Silk Wall Mounted Bath Mixer



Components Supplied



Tools Required



Installation Instructions



Mixer must be installed to the requirements of AS/NZS 3500 by a qualified plumber. The mixers are factory tested and sealed so as to give the best performance.

mizu

Installation



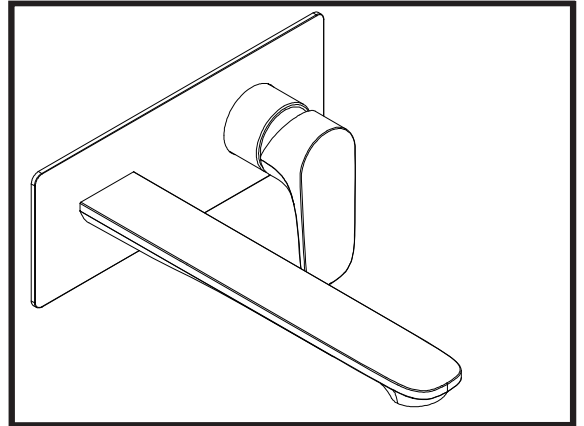
Flush out new pipe work prior to connecting the new mixer.



During installation, protect the exposed surface finish by using the plastic covers provided.



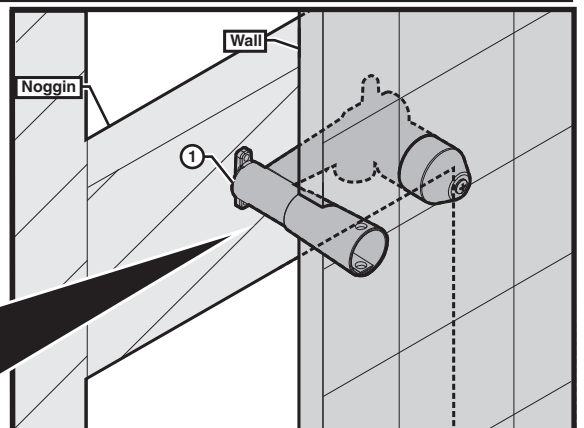
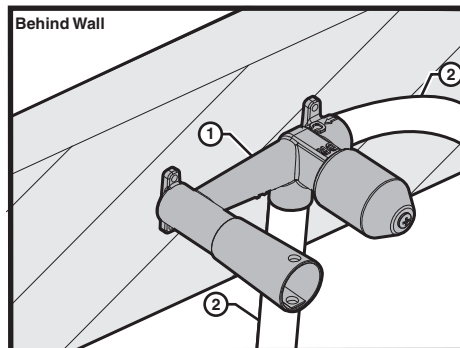
In a typical installation, the mixer is mounted on a timber/metal noggin and secured using suitable screws through the mounting lugs.



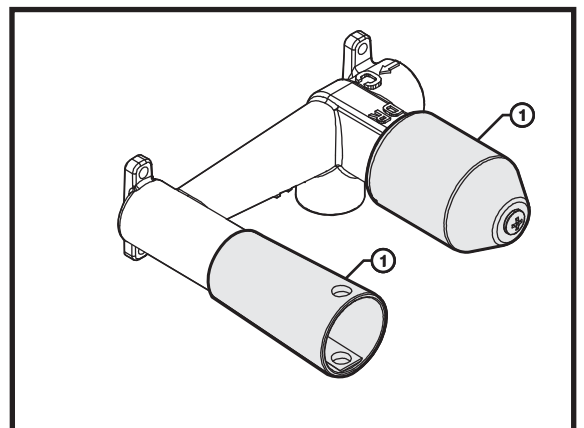
- Connect mixer (1) to hot and cold water supply (2).
- Pressure check all connections.



Leaking joints are not covered by the warranty.

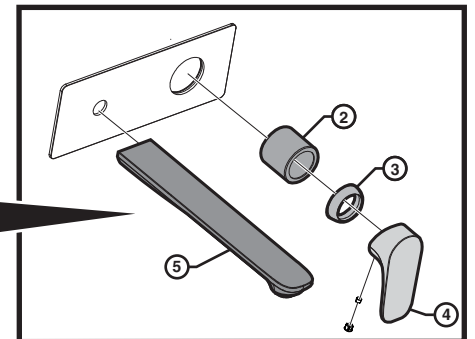
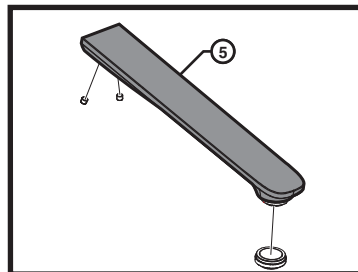
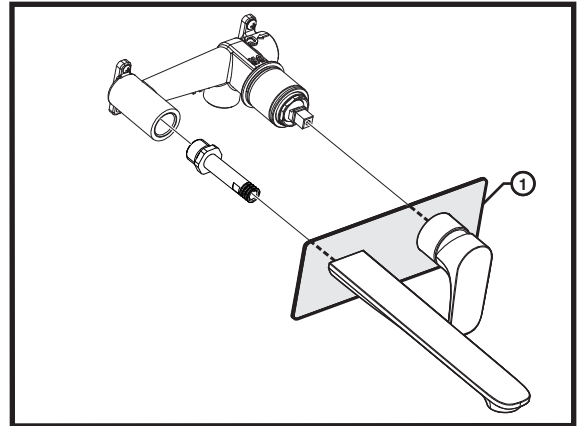


- When the wall is finished (eg. tiled), remove the protective covers (1).



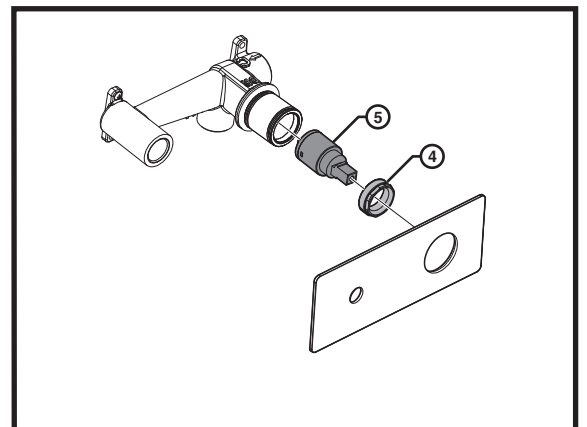
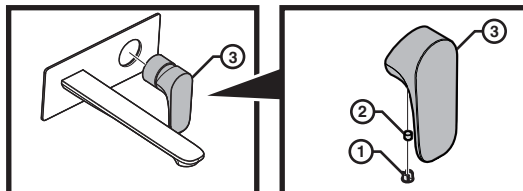
mizu

- Fit the cover plate (1), cartridge sleeve (2), cartridge dome (3).
- Fit handle (4) and outlet (5).
- Secure the handle and outlet by tightening the grub screws with the supplied Allen key.



Servicing - Replacement of Cartridge

- Remove decorative cover (1) and unscrew the grub screw (2) using an allen key.
- Lift off the handle (3) and remove the cartridge dome, unscrew the brass locking nut (4) and lift out the cartridge (5).
- Replace the cartridge (5), replace the locking nut (4), replace the cartridge dome and replace the handle (3).
- Tighten grub screw (2) and push in decorative cover (1).



Care Details

We recommend the use of soapy water or approved cleaners. This product should not be cleaned with abrasive materials. Damage caused by any improper treatment is not covered by the product warranty. Refer to Warranty Conditions

Plumbers, please ensure a copy of the installation instruction is left with the end user for future reference.

