

# CAROMA

## Forma II Cleanflush™ Back to Wall Overheight Toilet Suite with Soft Close Quick Release Seat

43135

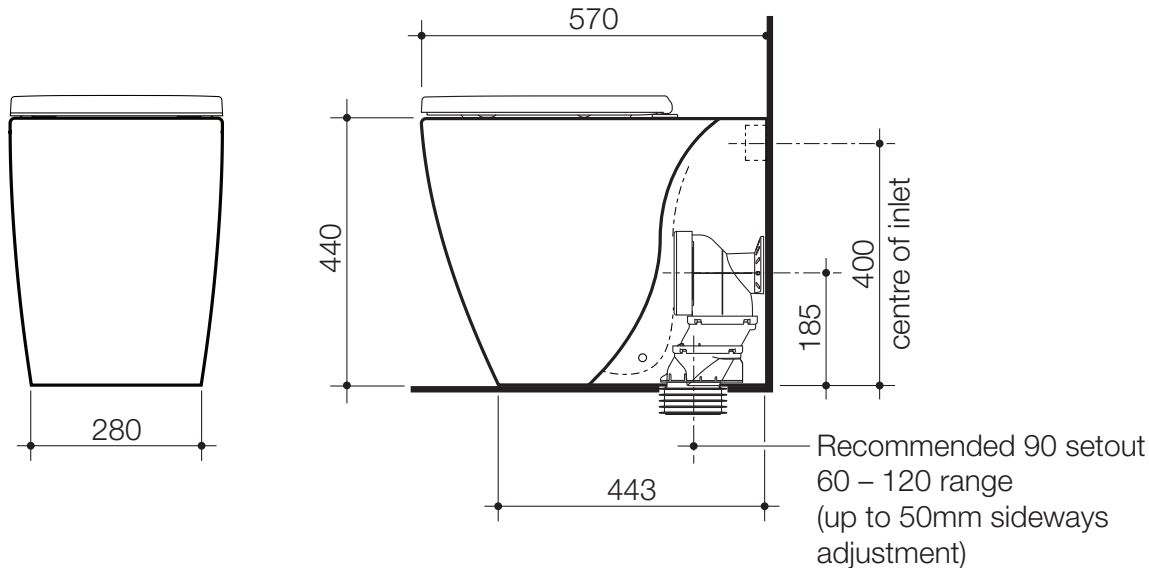
### SPECIFICATIONS

Recommended Use	Domestic & Commercial
Rim Configuration	Rimless
Water Inlet Position	Back Entry
Outlet Type	Universal S & P-trap
Pan Material	Vitreous China
Colour Options	Gloss White
Toilet Seat Type	Soft Close Quick Release
Toilet Seat Material	Thermoset with GermGuard® Antibacterial Protection

### WARRANTY

Warranty - Domestic Use (Years)	20 years
Spare Parts & Labour (Years)	1 year

Please refer to Warranty Page for full Terms and Conditions



cleanflush



Dimensions are nominal measurements only.

### CLEANING RECOMMENDATIONS:

We recommend the use of soapy water or approved cleaners. This product should not be cleaned with abrasive materials. Damage caused by any improper treatment is not covered by the product warranty. Refer to Warranty Conditions

**Disclaimer:** Products in this specification manual must by regulation be installed by licensed and registered trade people. The manufacturer/distributor reserves the right to vary specifications or delete models from their range without prior notification. Dimensions are nominal measurements only. Dimensions and set-outs listed are correct at time of publication however the manufacturer/distributor takes no responsibility for printing errors.

Published 28/01/2026 Rev. 0

To see the complete Forma II range go to [www.reece.com.au](http://www.reece.com.au)

