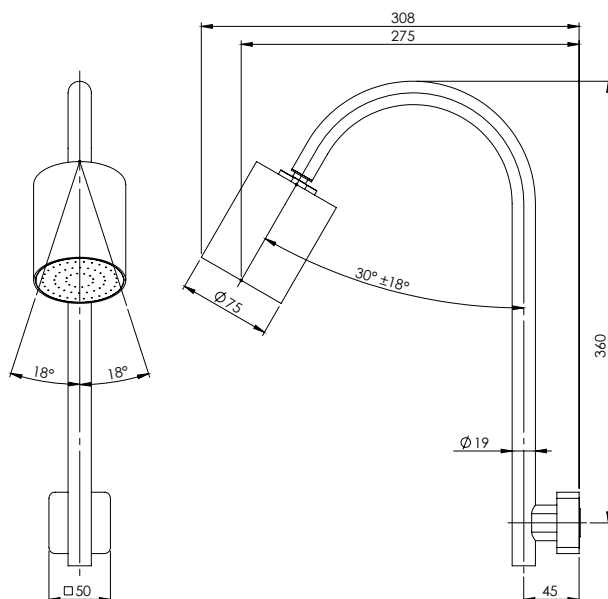


MILLI AXON

HIGH RISE SHOWER ARM AND ROSE



SPECIFICATIONS

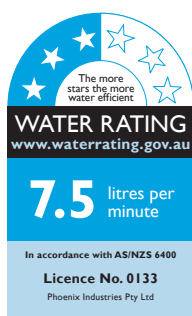
Recommended Use	Domestic, hotel and commercial
Finish Available	Chrome Shower Rose with Chrome Shower Arm Chrome Shower Rose with Black Shower Arm
Pressure Rating	Maximum continuous operating pressure 500 kPa. Note: For best performance and longer life we recommend 150-500 kPa.
Temperature Rating	Maximum continuous working temperature 75°
Suitable Hot Water	Storage Tank: No Continuous Flow: Refer to manufacturer of continuous hot water systems Gravity Feed: No
WELS	Stars: 3 Flow Rate: 7.5 L/min
Standards	AS/NZS 3718



To see the complete Milli range go to www.reece.com.au/bathrooms

CLEANING RECOMMENDATIONS

This product should not be cleaned with abrasive materials eg. steel wool/scourers. Damage caused by any improper treatment is not covered by the product warranty - refer to Warranty Conditions.



Disclaimer: Products in this specification manual must by regulation be installed by licensed and registered trade people. The manufacturer/distributor reserves the right to vary specifications or delete models from their range without prior notification. Dimensions are nominal measurements only. Dimensions and set-outs listed are correct at time of publication however the manufacturer/distributor takes no responsibility for printing errors.

Tech Page Version 1

Milli

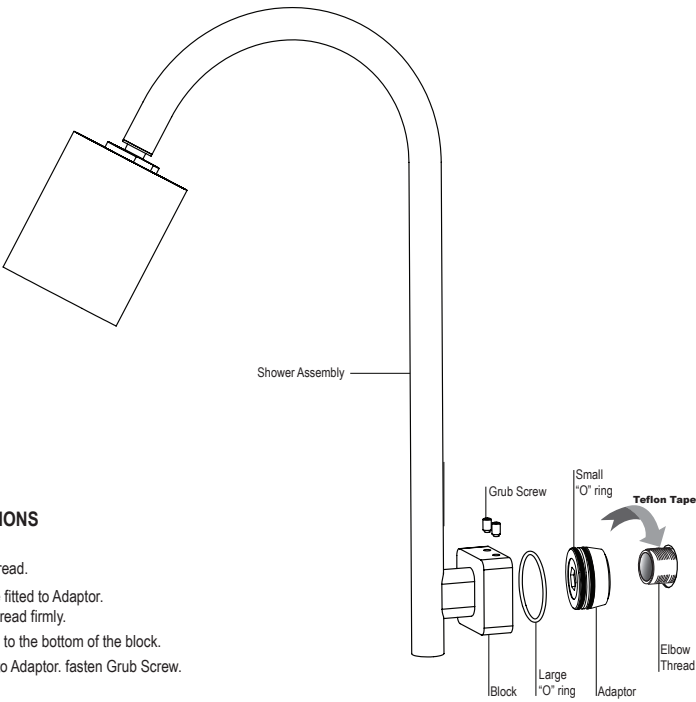
reece

MILLI AXON

HIGH RISE SHOWER ARM AND ROSE

INSTALLATION INSTRUCTIONS


Milli Axon Wall Mounted Shower Instructions



Shower Assembly


Block Large "O" ring Adaptor Grub Screw Small "O" ring Teflon Tape Elbow Thread

WATER SUPPLY REQUIREMENTS



**150 KPa Min.
550 KPa Max.**

Recommended Working Pressure



75°

Maximum hot water temperature

Note:

- If the pressure exceeds or is likely to exceed 550kpa, an approved pressure limiting device must be installed.
- Flush out all pipe work prior to installation.
- If the water temperature exceeds 75°C, an approved tempering valve must be fitted.
- Installation should comply with Australian standard AS3500.1 or relevant local authority requirements.
- Showers may not be suitable for use with gravity-fed water heaters, low-pressure supply networks or some instantaneous water heaters.

NOTE: Some showers with nominal flow rates of less than 7.5lt/min may not provide an effective shower when used with gravity-fed water heaters, low-pressure supply networks or some instantaneous water heaters.

Failure to comply with the above may void all warranties.

Maintenance and Care

- Chrome plated surfaces should be cleaned with mild liquid detergent or soap and water.
- **Do not** use cream cleaners or citrus based cleaning products, as they are abrasive.
- Use of unsuitable cleaning agents may damage the surface. Any damage caused in this way will not be covered by warranty.

INSTALLATION INSTRUCTIONS

- 1 : Apply Teflon Tape to Elbow Thread.
- 2 : Ensure that small "O" rings are fitted to Adaptor.
Screw on Adaptor to Elbow Thread firmly.
- 3 : Check if Large "O" ring is fitted to the bottom of the block.
- 4 : Push on Shower Assembly onto Adaptor. fasten Grub Screw.

Test & Check for Leaks

Plumbers, please ensure a copy of the installation instructions is left with the end user for future reference

Milli

reece