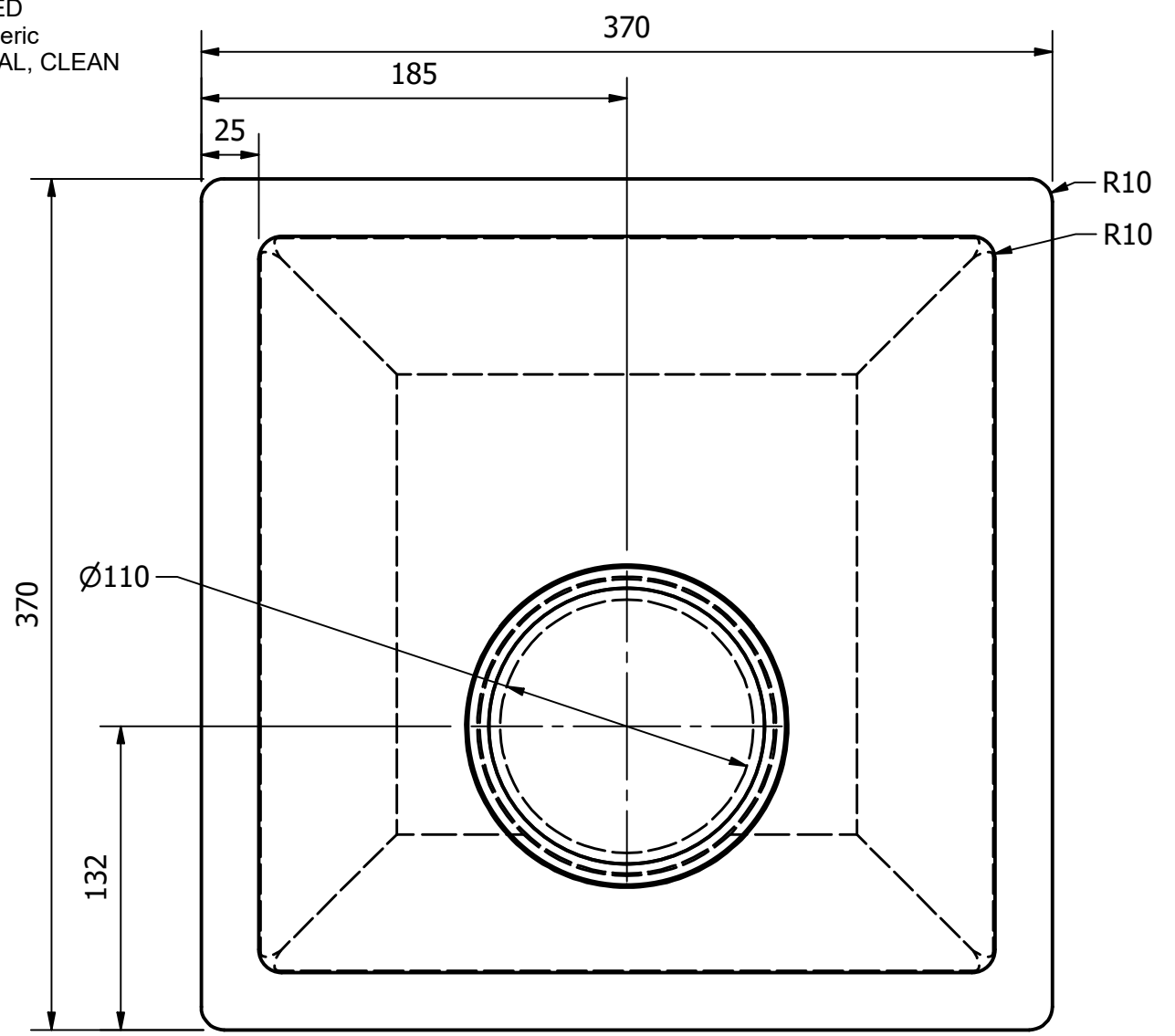


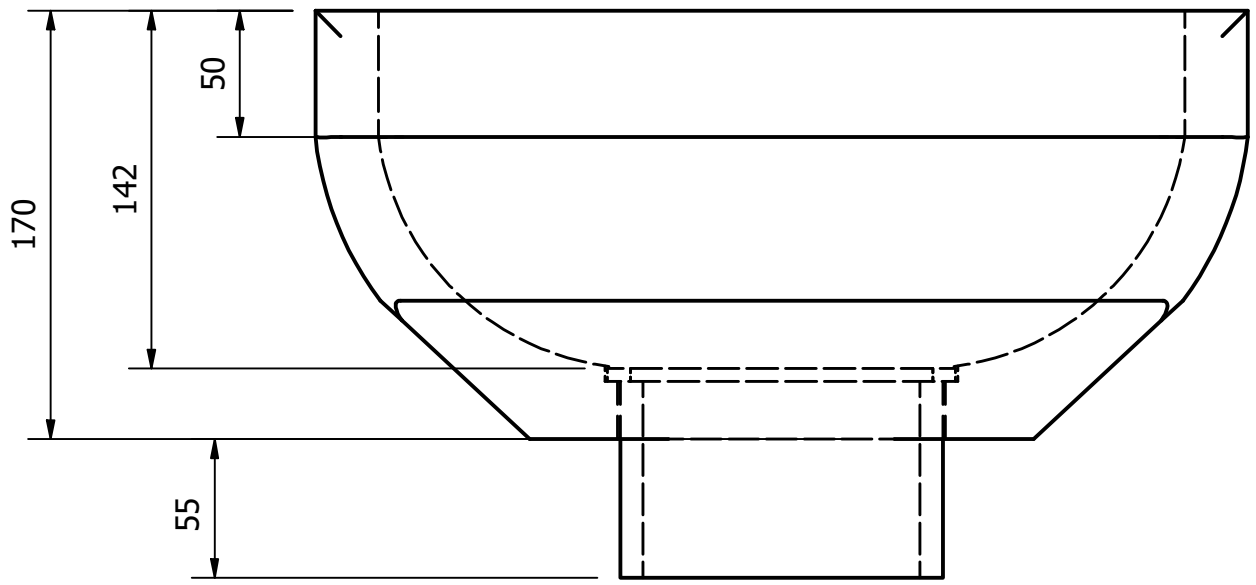
Notes:

All Dimensions in Millimetres.
If in doubt, ask.
Refer to .STP files for dimensions not shown.
Remove all burrs and break sharps.
Surface finish 1.6 µm Ra.

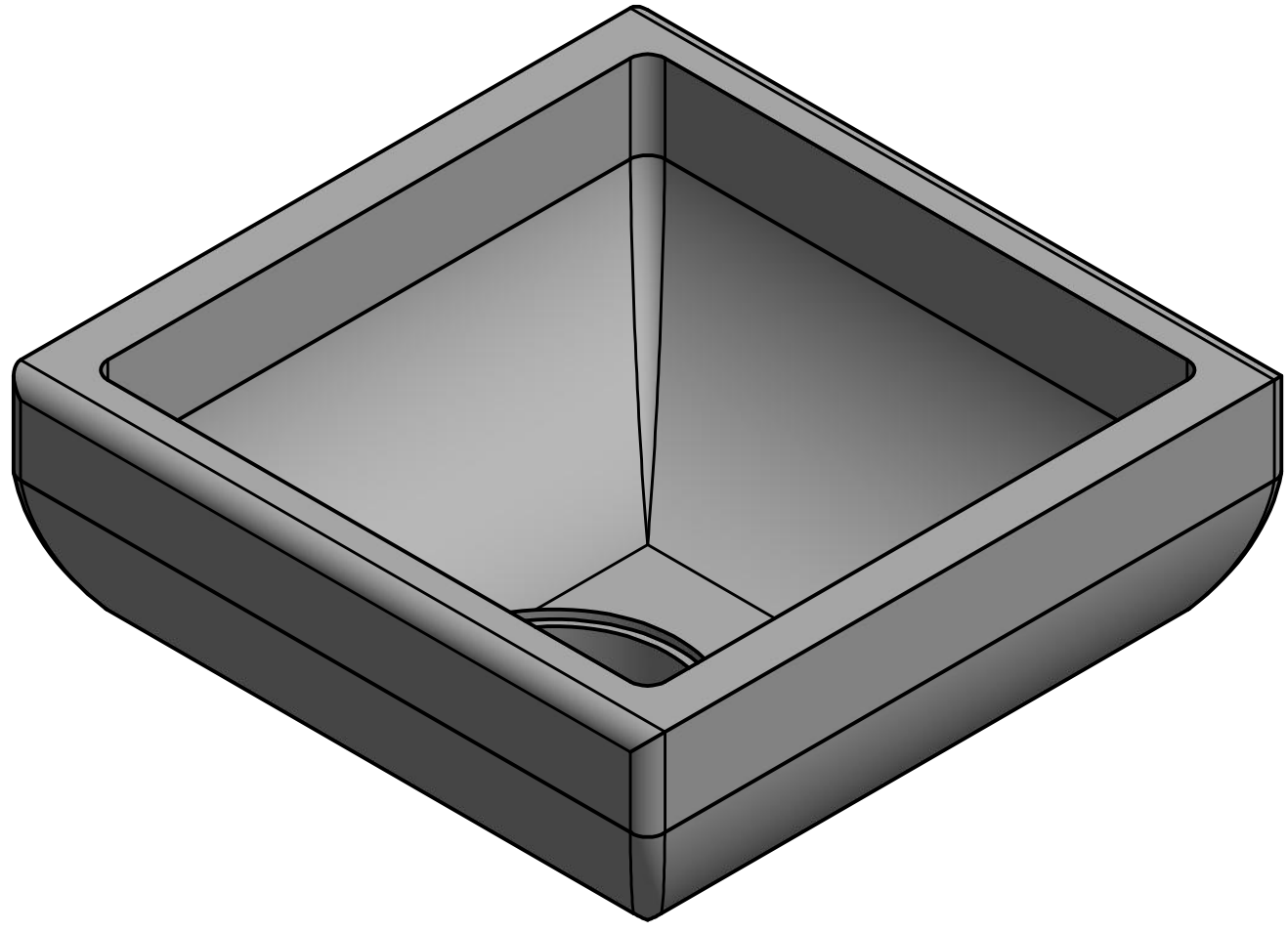
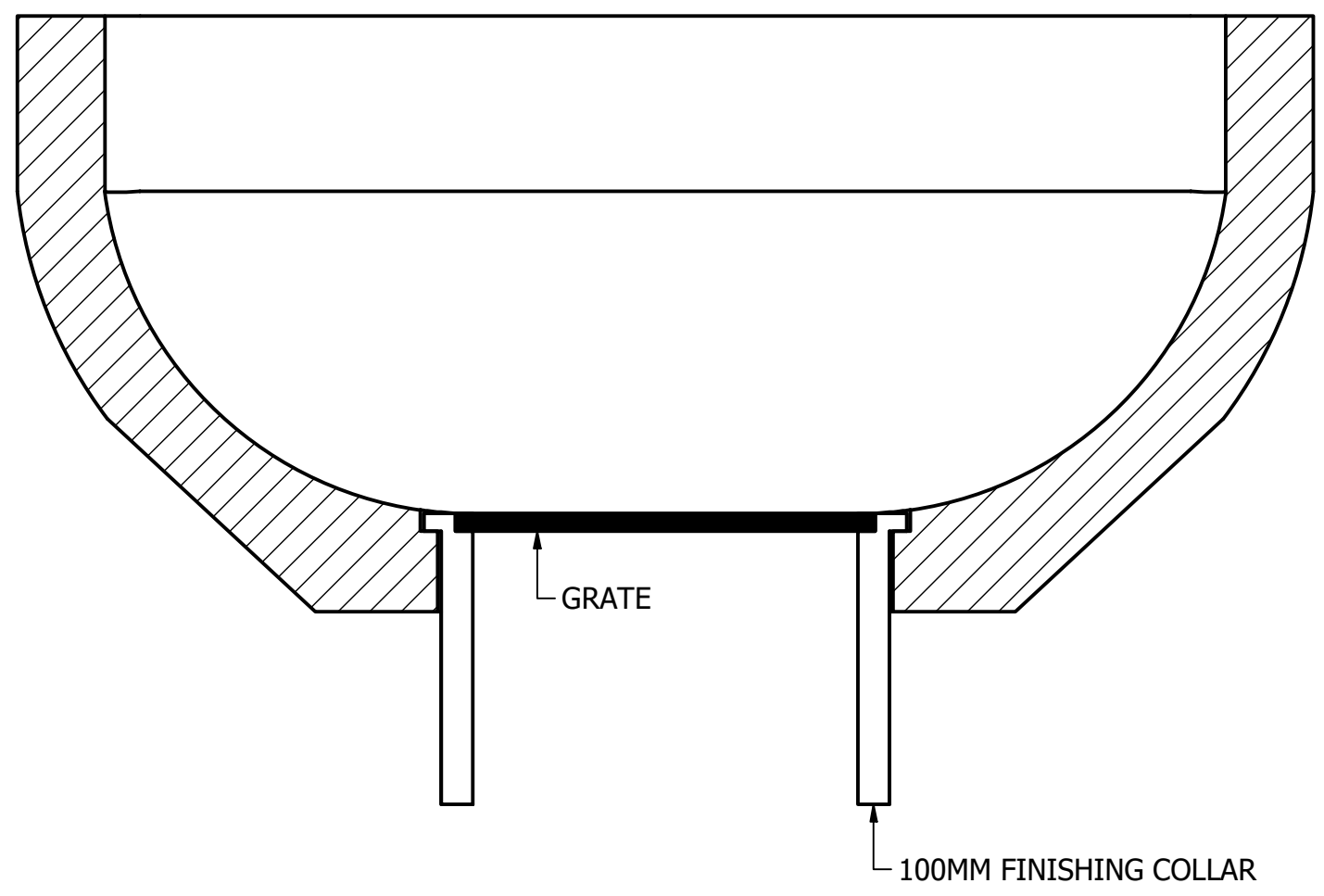
1 OFF REQUIRED
MATERIAL: Generic
FINISH: NATURAL, CLEAN
MASS: 6.188 kg



TOP (1 : 3)



FRONT (1 : 3)



ISOMETRIC (1 : 3)