

## Mizu Stream Heated Towel Rail

SPECIFICATIONS	
Recommended Use	Domestic, Hotel & Commercial
Material	Polished Stainless Steel (304) Brushed Stainless Steel (304) Matte Black Stainless Steel (304)
Options	Plug-in or Hardwired
Heating Method	Dry Element
Power Entry	Bottom right leg
Voltage	230 V AC 50Hz
Wattage	
450 x 600	30 watts
800 x 600	50 watts
800 x 800	60 watts
1050 x 600	60 watts
1050 x 800	70 watts
IP Rating	IP45
Standard	AS/NZ 60335.1 AS/NZS 60335.2.43 EN 55014-1
Product Template	Supplied



WARRANTY	
Warranty - Domestic Use	7 Years
Spare Parts & Labour	12 Months
<i>Please refer to Warranty Page for full Terms and Conditions</i>	



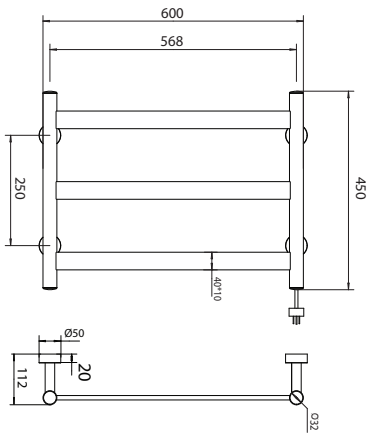
**Disclaimer:** Products in this specification manual must by regulation be installed by licensed and registered trade people. The manufacturer/distributor reserves the right to vary specifications or delete models from their range without prior notification. Dimensions are nominal measurements only. Dimensions and set-outs listed are correct at time of publication however the manufacturer/distributor takes no responsibility for printing errors.

Published 30/04/2019

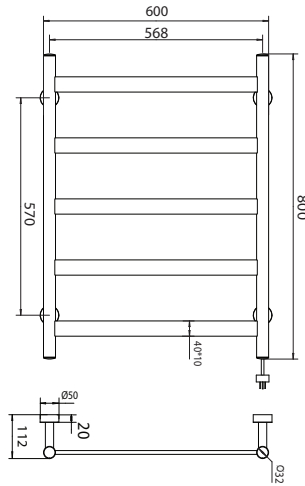
Dimensions are nominal measurements only.



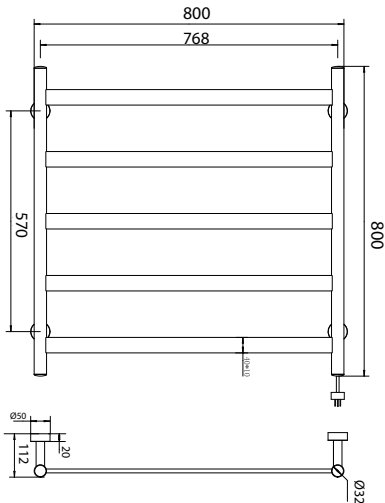
## Mizu Stream Heated Towel Rail



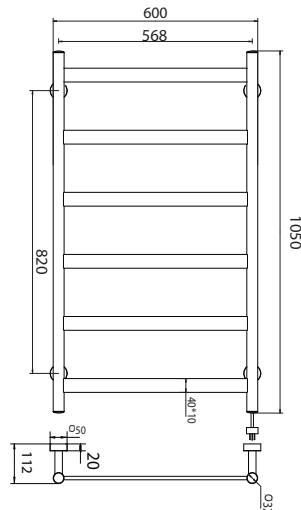
Heated Towel Rail 450 x 600



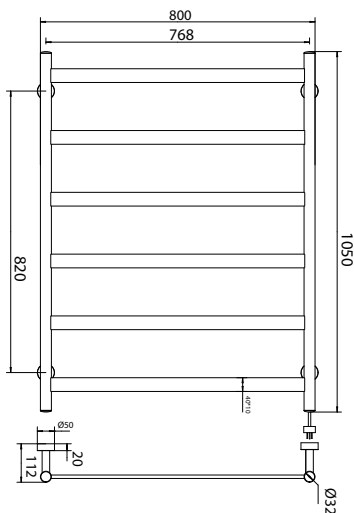
Heated Towel Rail 800 x 600



Heated Towel Rail 800 x 800



Heated Towel Rail 1050 x 600



Heated Towel Rail 1050 x 800

**Disclaimer:** Products in this specification manual must by regulation be installed by licensed and registered trade people. The manufacturer/distributor reserves the right to vary specifications or delete models from their range without prior notification. Dimensions are nominal measurements only. Dimensions and set-outs listed are correct at time of publication however the manufacturer/distributor takes no responsibility for printing errors.

Published 30/04/2019

Dimensions are nominal measurements only.