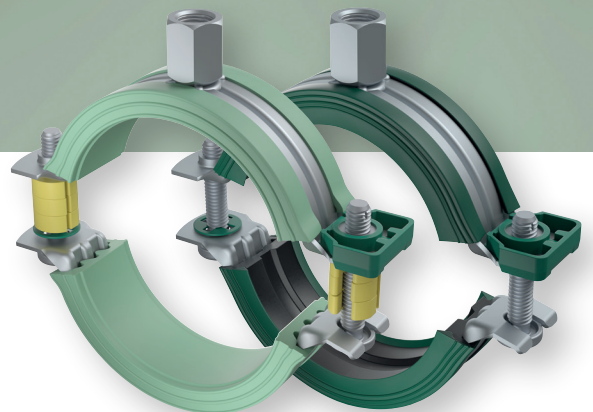


Improved lining for
easier installation



Bifix[®] G2 clamps

Premium pipe clamps, for in- and outdoor use



Bifix® G2 lined

For uninsulated pipes

Product information

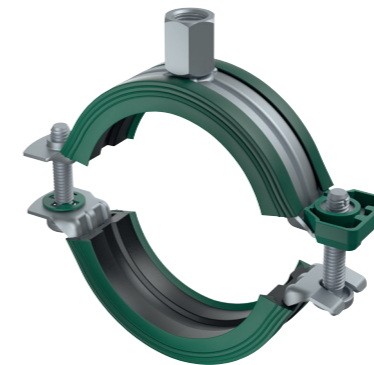
Bifix® G2 offers a unique and premium line of clamps covering all types of pipe fixing solutions, both in- and outdoors. The optimised range includes lined clamps for steel, copper and multilayer pipes, Ø 10 - 225 mm. The new 2 component EPDM lining improves the product's ease of installation as well as the noise reduction properties (DIN 4109). Strength wise the Bifix® G2 holds medium to high loads, in accordance with both RAL GZ-655 and RAL GZ-656 under fire conditions.

Features and benefits

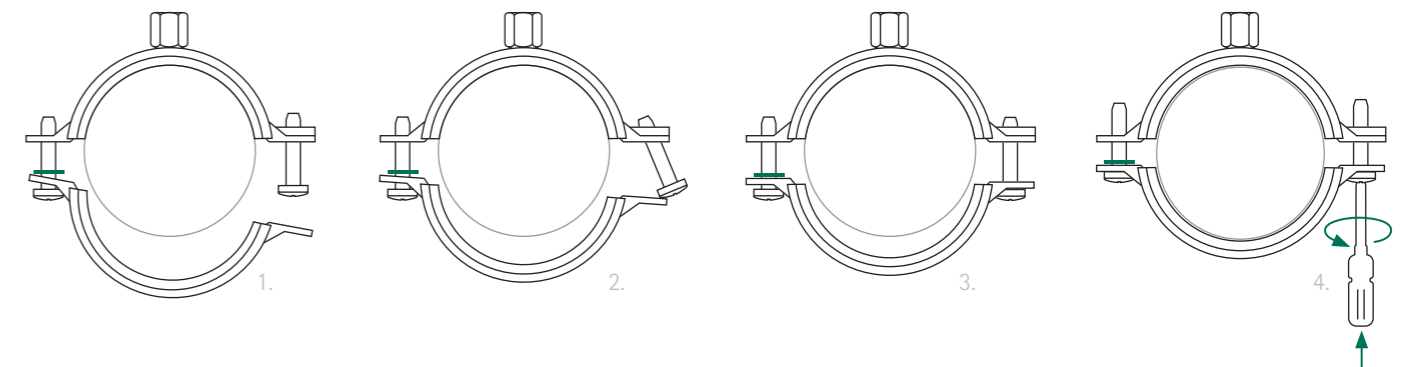
- Two-screw clamp
- For uninsulated pipes
- Optimised range Ø 10 - 225 mm
- Material: Steel
- Surface treatment: BIS UltraProtect® 1000
- Lining: 2 component EPDM
- Improved lining for easy installation
- Quick closing mechanism
- Good strength vs material usage
- Medium-High safe load according RAL GZ-655 and RAL GZ-656
- Noise reduction according DIN 4109

Type of pipe

- Steel, copper, cast iron
- Multilayer pipes



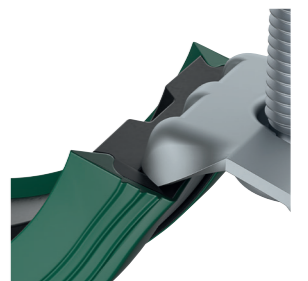
Quick closing mechanism



Improved lining



For faster and easier installation



Bifix® G2 lined



⊕ Suitable for in- and outdoor use

⊕ Improved lining for easy installation

⊕ Quick closing mechanism

⊕ Safe load according to RAL GZ-655 and RAL GZ-656

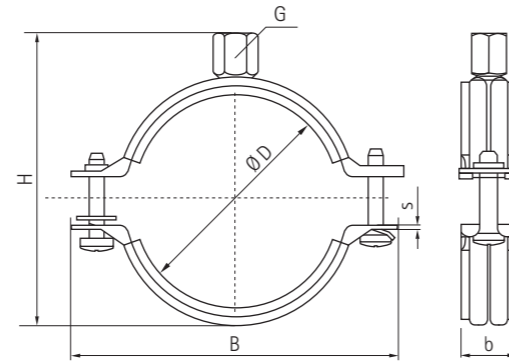
Inspired by smart solutions from the start

Walraven is a globally active company in the installation industry, founded in 1942. We have always been dedicated to make the work of our customers easier and more effective. With simple and smart solutions, comprehensive services and excellent support.

Walraven. The value of smart

Bifix® G2 lined

For uninsulated pipes



Technical data

Part No.	D (mm)	D (")	DN	G	B (mm)	H (mm)	b x s (mm)	Fa,z (N)	Box qty (pcs)
31285014	10 - 14	1/4	8	M10	59	34	20 x 1.25	800	50
31285019	15 - 19	3/8	10	M10	63	38	20 x 1.25	800	50
31285023	20 - 23	1/2	15	M10	68	43	20 x 1.25	800	50
31285028	25 - 28	3/4	20	M10	74	49	20 x 1.25	800	50
31285035	31 - 35	1	25	M10	80	55	20 x 1.25	800	50
31285039	36 - 39	-	-	M10	84	59	20 x 1.25	800	50
31285045	40 - 45	1 1/4	32	M10	91	66	20 x 1.25	800	50
31285052	48 - 52	1 1/2	40	M10	97	72	20 x 1.25	800	50
31285058	54 - 58	-	-	M10	104	79	20 x 1.25	800	50
31285064	60 - 64	2	50	M10	109	84	20 x 1.25	800	50
31285070	66 - 70	-	-	M10	118	92	20 x 1.50	1,000	50
31285079	75 - 79	2 1/2	65	M10	125	100	20 x 1.50	1,000	50
31285083	80 - 83	-	-	M10	131	106	20 x 1.50	1,000	50
31285091	88 - 91	3	80	M10	142	115	23 x 2.00	1,800	25
31285105	100 - 105	-	-	M10	155	129	23 x 2.00	1,800	25
31285115	108 - 115	4	100	M10	163	137	23 x 2.00	1,800	25
31285130	125 - 130	-	-	M10	180	154	23 x 2.00	1,800	25
31285140	133 - 140	5	125	M10	189	163	23 x 2.00	1,800	25
31285160	152 - 160	-	-	M10	208	182	23 x 2.00	1,800	25
31285200	192 - 200	-	-	M10	257	230	25 x 2.50	2,500	15



Improved lining for easy installation



Small
CHANGES CAN MAKE
A BIG
DIFFERENCE.

BIS UltraProtect® 1000

All of our Bifix® G2 clamps are coated with our advanced surface protection system - BIS UltraProtect® 1000 - to prevent corrosion.

Optimal protection

- All applied surface treatments effortlessly withstand a salt spray test of at least 1000 hours*
- Suitable for corrosive environments (C1-C4 in accordance with ISO 12944-2)



Better than Hot Dip Galvanizing

- Higher corrosion resistance: 1000 hours* versus 300 - 600 hours (with a layer thickness of 50 - 80 µm)
- Threaded products are also well protected
- Products feel smooth and are also visually appealing



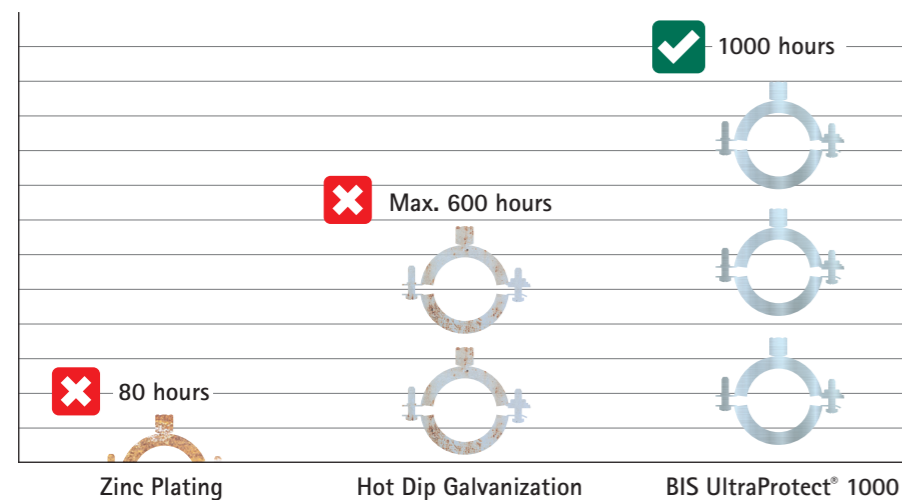
Complementary system

- The products in the BIS UltraProtect® 1000 system combine together perfectly
- Can also work with zinc plated, pre-galvanized or hot dip galvanized products



* Until the occurrence of maximum 5% red rust.

The proof after 1000 hours salt spray test



Corrosion resistance

- C1 - C4 / ISO 12944-2

Salt spray test

- 1000 hours / ISO 9227

Complementary system

- Easily combined with other products

Bifix® 5000 G2

For uninsulated plastic pipes

Product information

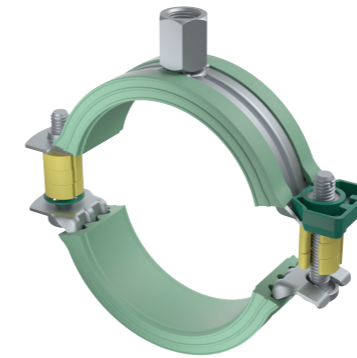
Bifix® 5000 G2 offers a unique and premium line of clamps covering all types of plastic pipe fixing solutions, both indoors and outdoors, Ø 16 - 200 mm. The product is specifically designed for PE pipes, and provides in both fixing and sliding to handle the pipe expansion.

Features and benefits

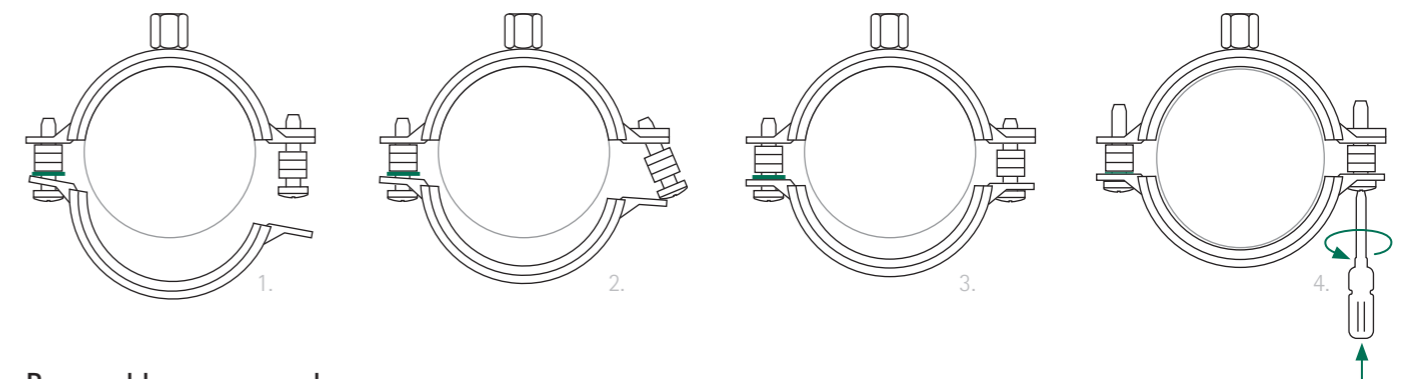
- Two-screw clamp
- For uninsulated pipes
- Optimised range Ø 16 - 200 mm
- Material: Steel
- Surface treatment: BIS UltraProtect® 1000
- Lining: EPDM
- Quick closing mechanism
- With removable spacer washers for either sliding or anchoring
- Good strength vs material usage
- Medium-High safe load according RAL GZ-655 and RAL GZ-656
- Noise reduction according DIN 4109

Type of pipe

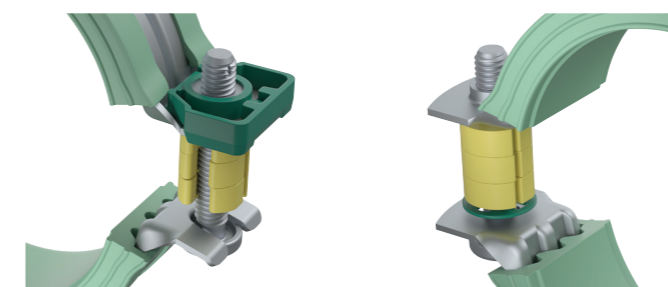
- Plastic (all)



Quick closing mechanism



Removable spacer washers



Ideal used combination for sliding or anchoring

Bifix® 5000 G2



⊕ For all types of plastic pipes

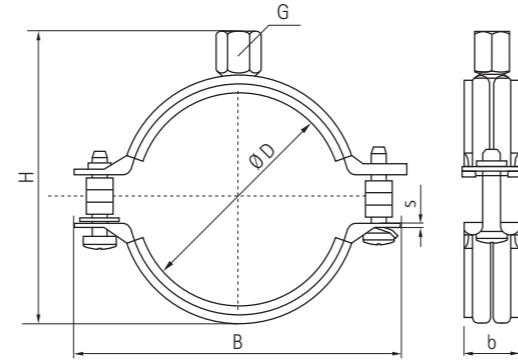
⊕ Suitable for in- and outdoor use

⊕ Quick closing mechanism

⊕ Removable spacer washers for sliding or anchoring

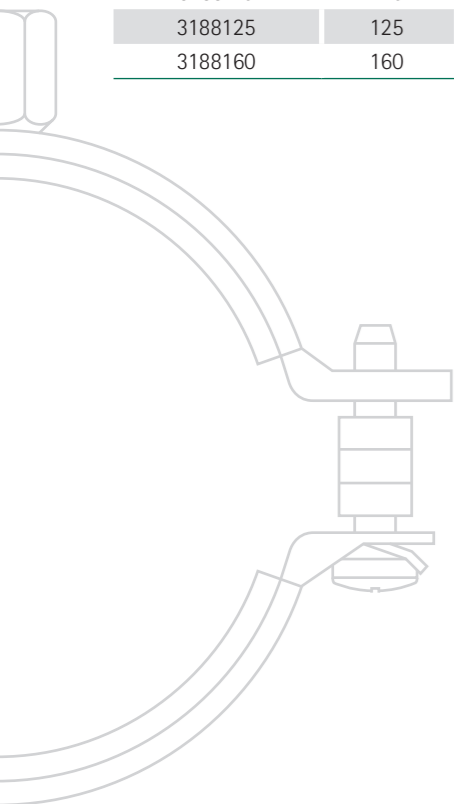
Bifix® 5000 G2

For uninsulated plastic pipes



Technical data

Part No.	D (mm)	G	B (mm)	H (mm)	b x s (mm)	Fa,z (N)	RAL	Box qty (pcs)
3188025	25	M8/10	74	59	20 x 1.25	600	-	50
3188032	32	M8/10	80	61	20 x 1.25	600	-	50
3188040	40	M8/10	91	73	20 x 1.25	600	-	50
3188050	50	M8/10	97	84	20 x 1.25	600	-	50
3188056	56	M8/10	104	90	20 x 1.25	600	-	50
3188063	63	M8/10	109	99	20 x 1.25	600	-	50
3188075	75	M8/10	125	109	20 x 1.50	600	-	50
3188090	90	M8/10	142	128	23 x 2.00	1,400	-	25
3188110	110	M8/10	164	144	23 x 2.00	1,400	-	25
3188125	125	M8/10	181	159	23 x 2.00	1,400	-	25
3188160	160	M8/10	225	196	25 x 2.50	1,700	-	10



*Removable spacer washers
for sliding or anchoring*

Bifix® G2

A premium product line with advanced design features for exceptional strength, fast installation, versatile uses and outstanding corrosion resistance.

For more information
Please visit walraven.com

Find out how we can support you

Would you like to find out more about any of the solutions described in this brochure?

Or would you like to discuss how we could help you find the best possible solution for your project? Get in touch today!

Singapore South East Asia & Pacific

Walraven Pte. Ltd.

71 Lorong 23 Geylang #06-14
388386 Singapore (SG)
customerservice.sg@walraven.com

Reece. Works for you.™

Call 1800 032 566 or visit www.reece.com.au for your nearest Reece store.

The manufacturer/distributor reserves the right to vary specifications or delete models from their range without prior notification. The manufacturer/distributor takes no responsibility for printing errors.

All measurement and content details in this brochure are subject to a tolerance of $\pm 3\%$.

Walraven Group

Mijdrecht (NL) · Tienen (BE) · Bayreuth (DE) · Banbury (GB) · Malmö (SE) · Grenoble (FR) · Barcelona (ES) · Kraków (PL)
Mladá Boleslav (CZ) · Moscow (RU) · Kyiv (UA) · Detroit (US) · Shanghai (CN) · Dubai (AE) · Budapest (HU) · Mumbai (IN)
Singapore (SG)