

CLOSE COUPLE TOILET

Installation Manual

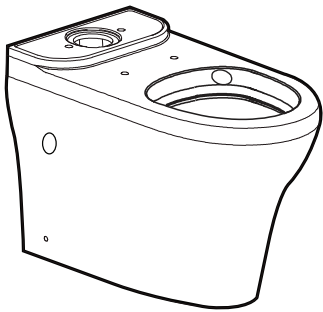
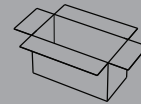
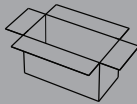
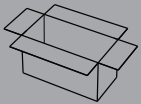
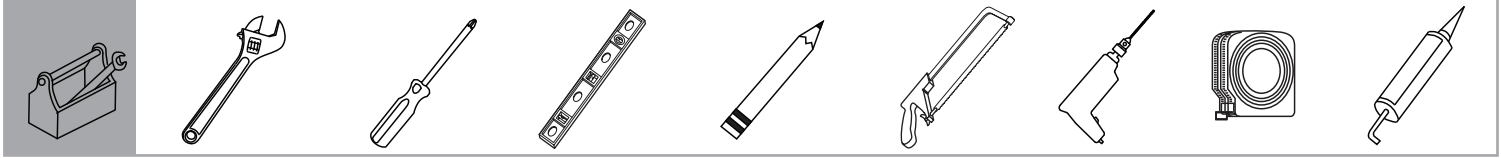
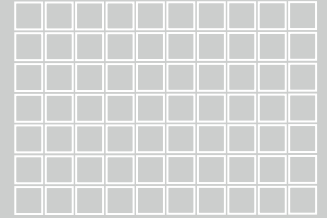
Cygnets Hygiene Rim Over-height Round

Cygnets Hygiene Rim Round

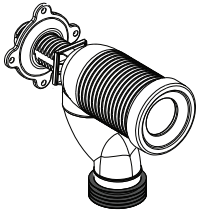
Bottom Inlet



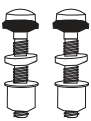
American Standard



_____ x1



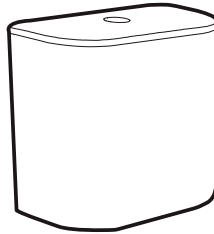
_____ x1



_____ x1



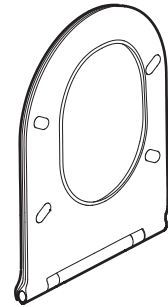
_____ x1



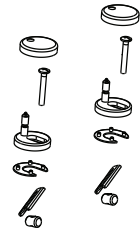
_____ x1



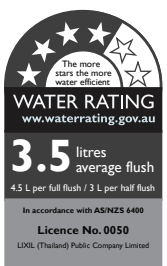
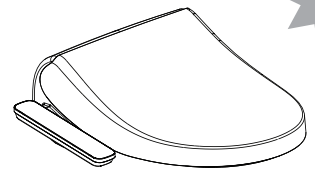
_____ x1



_____ x1

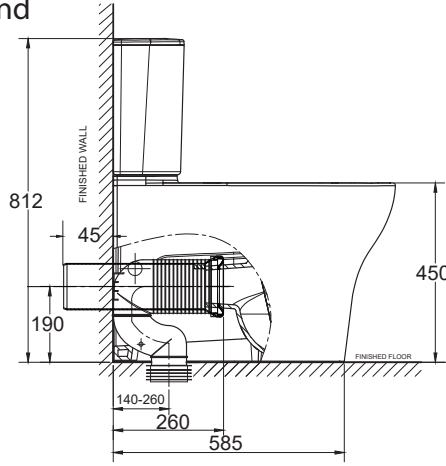
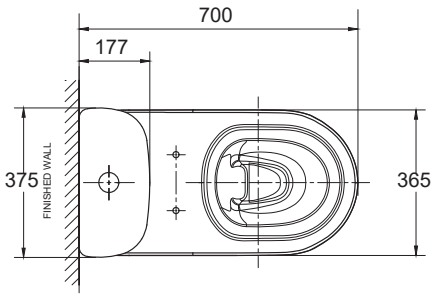


_____ x1

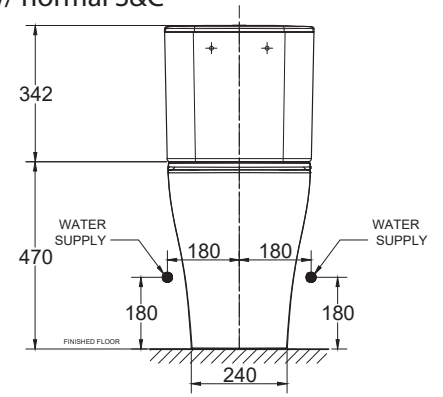




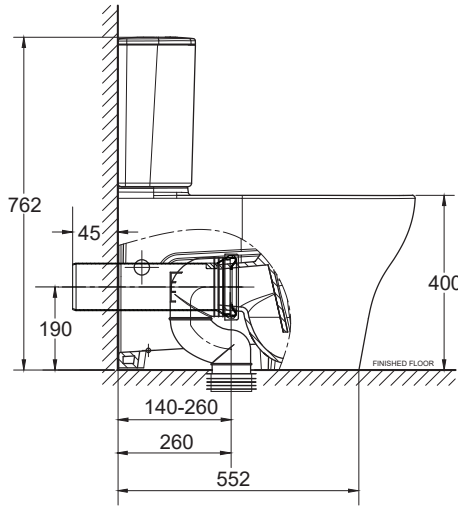
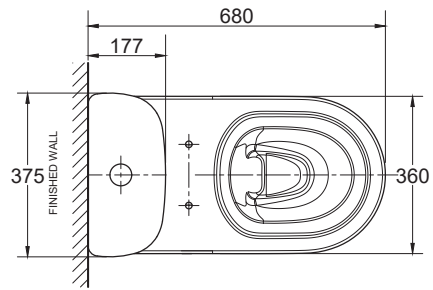
Cygnets Hygiene Rim Over-height Round



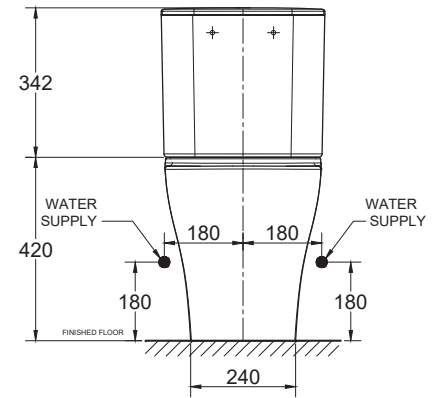
w/ normal S&C



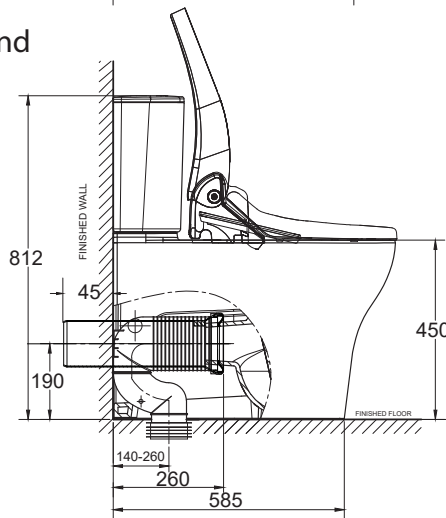
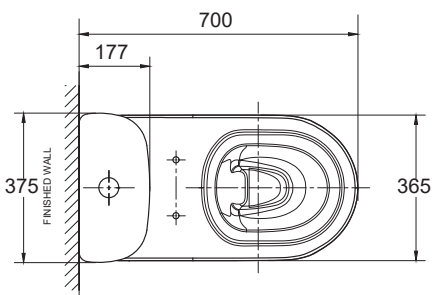
Cygnets Hygiene Rim Round



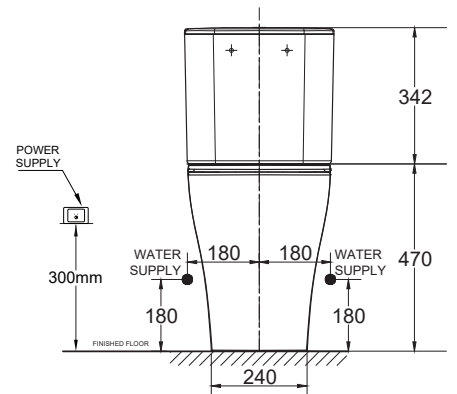
w/ normal S&C



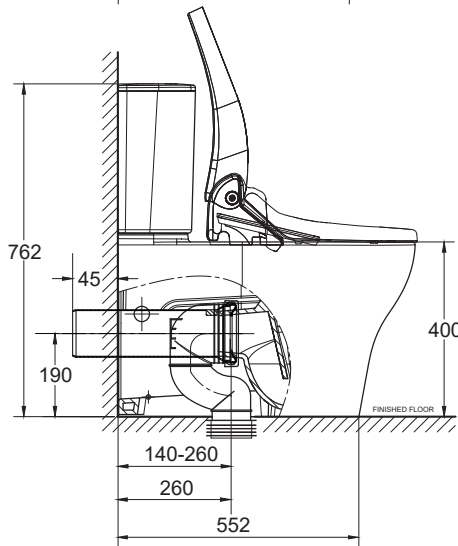
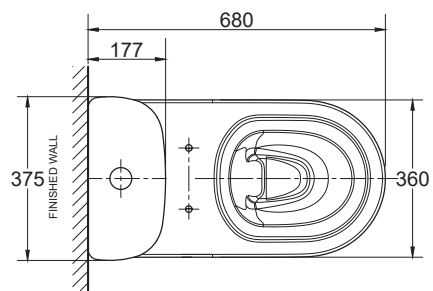
Cygnets Hygiene Rim Over-height Round



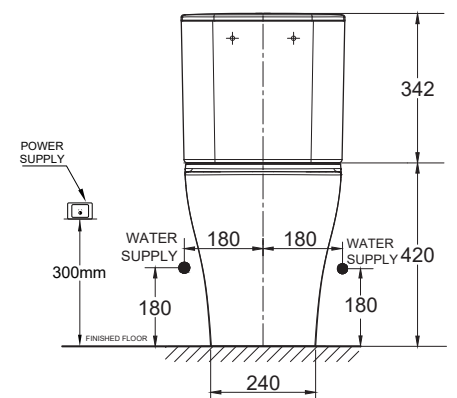
w/ Spalet E-bidet



Cygnets Hygiene Rim Round

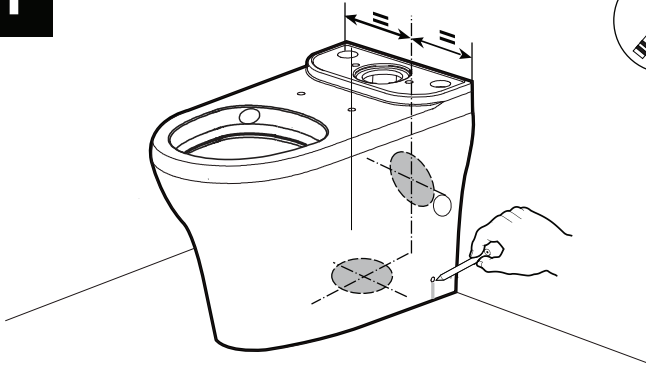


w/ Spalet E-bidet

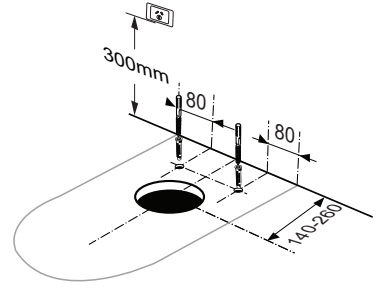
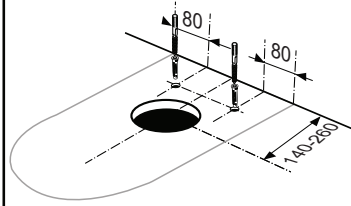




1

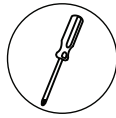
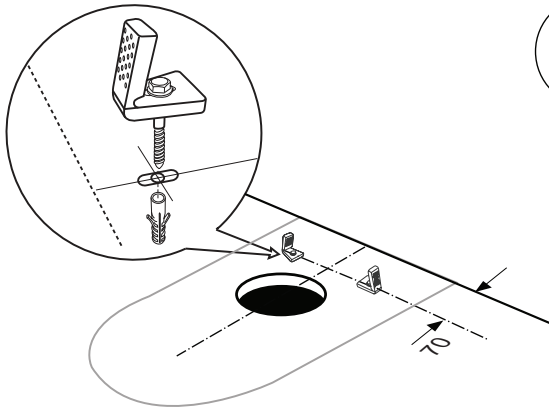


2.1 / 2.2

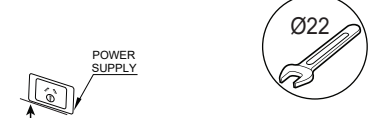
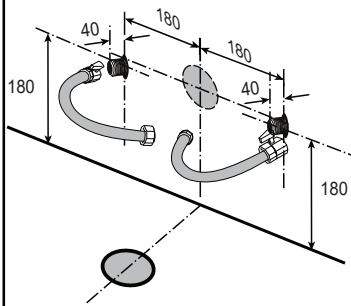


Option 2: Spalet Installation

3

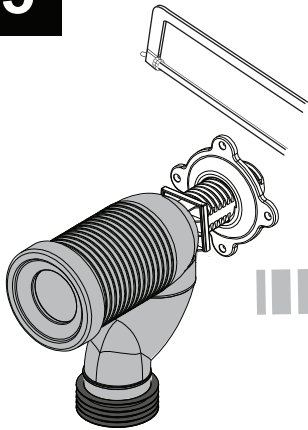


4.1 / 4.2

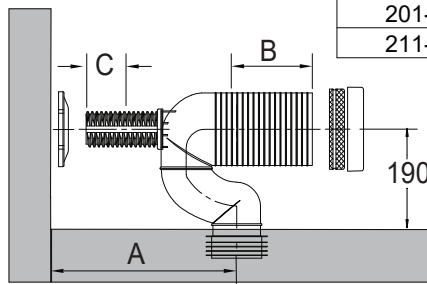


Option 2: Spalet Installation

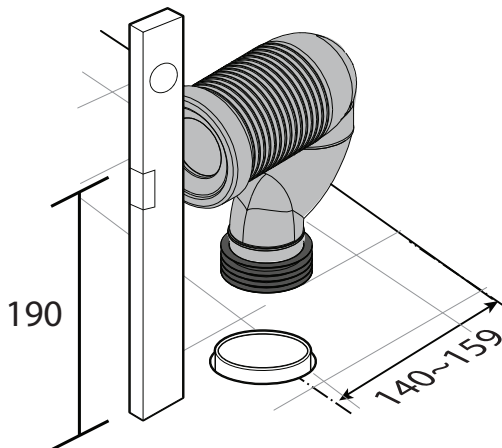
5



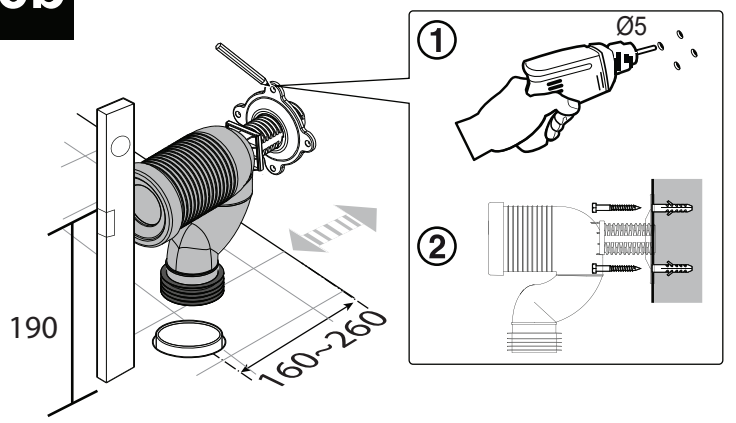
ROUGHING - IN (A)	CONNECTOR CUTOUT (B)	ROUGHING - IN (A)	CONNECTOR CUTOUT (B)	ROUGHING-IN (A)	CONNECTOR CUTOUT (B)
140-149 mm.	10 mm.	160-170 mm.	30 mm.	221-230 mm.	90 mm.
150-159 mm.	20 mm.	171-180 mm.	40 mm.	231-240 mm.	100 mm.
		181-190 mm.	50 mm.	241-250 mm.	110 mm.
		191-200 mm.	60 mm.	251-260 mm.	120 mm.
		201-210 mm.	70 mm.	261-270 mm.	130 mm.
		211-220 mm.	80 mm.	C= 116 - (A-160)	



6a

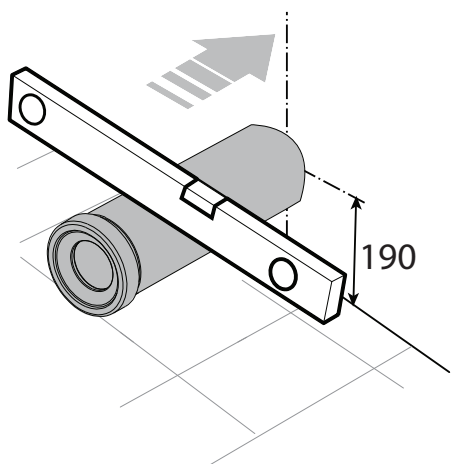


6b

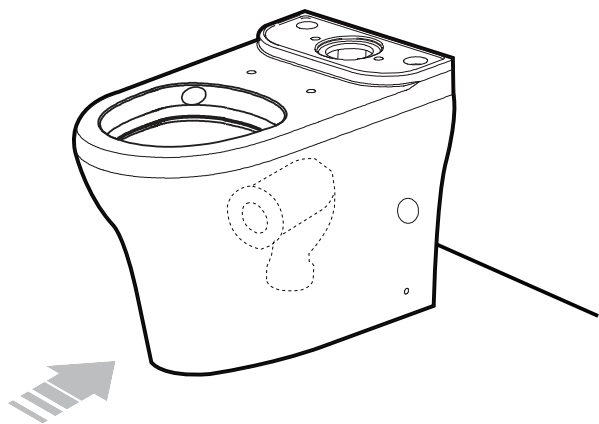




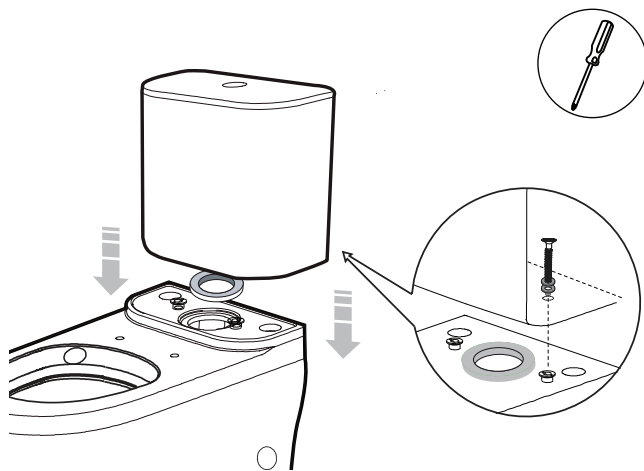
7



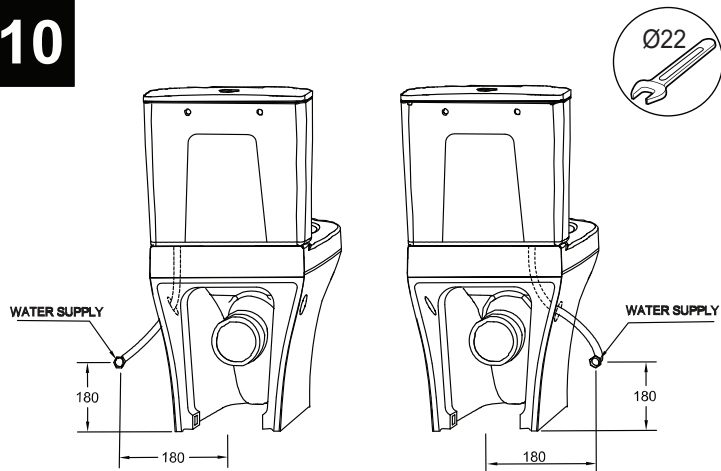
8



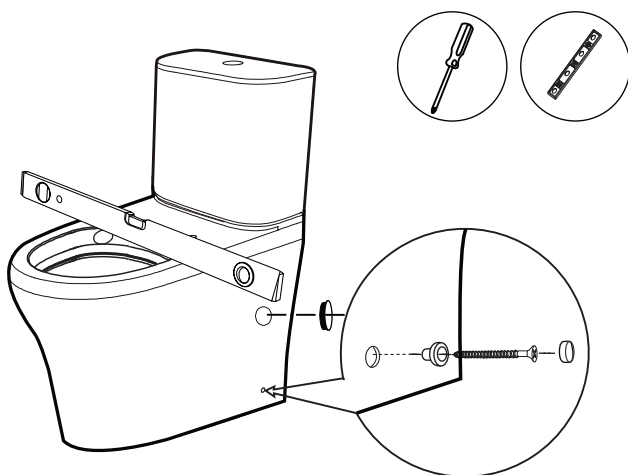
9



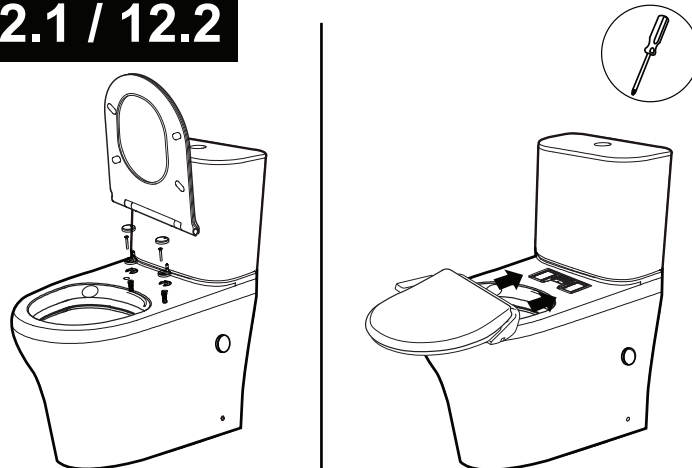
10



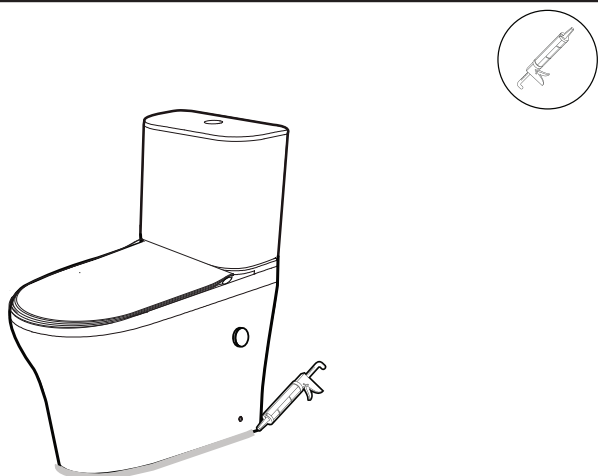
11



12.1 / 12.2



13



14

IMPORTANT

Before turning on water supply check:

1. Cistern is installed properly
2. All moving components operate freely
3. All couplings are tightened correctly

Now fill cistern and recheck water level:

4. Check carefully for leaks
5. Test the cistern flushes