



WOLFEN™

INSTALLATION MANUAL

252432 Wolfen Hand Held Trigger Spray Assembly With Stop Tap

252444 Wolfen Pre Rinse Slophopper Assembly Without Tap

252431 Wolfen Pre Rinse Trigger Spray





WOLFEN™

CONTENTS

Intro	03
Technical Information	04
Unit Components	06
Installation Instructions	08
Warranty	10

Delivering unrivalled quality

Designed for absolute performance, Wolfen's commercial Trigger Spray Assembly sets new standards in quality and durability. Ergonomic design combined with precision engineering ensures that every Wolfen product is easy-to-use and made to last. Here are just some of the many innovative features that make the Wolfen Trigger Spray Assembly the smart solution.

Infection control

- Clean line food grade hose
- Minimum crevices for bacteria build up

Commercial durability

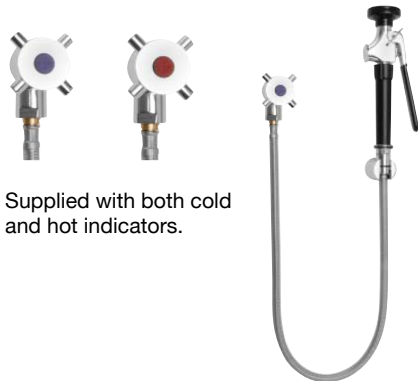
- Stainless Steel spray jet head
- Stainless steel braided hose externally lined

Usage features

- Trigger spray clip enables effortless continual use

Applications

- Hospital and health care
- Commercial food premises



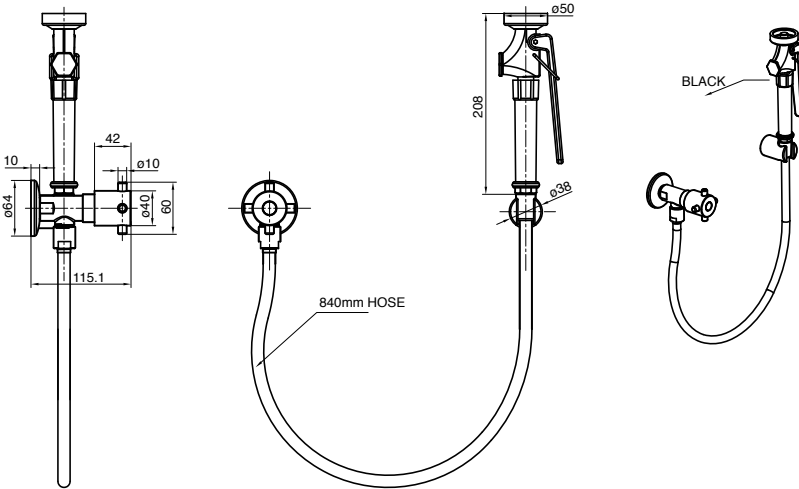
Suitable for High Pressure applications
(minimum 150kPa)

TECHNICAL INFORMATION

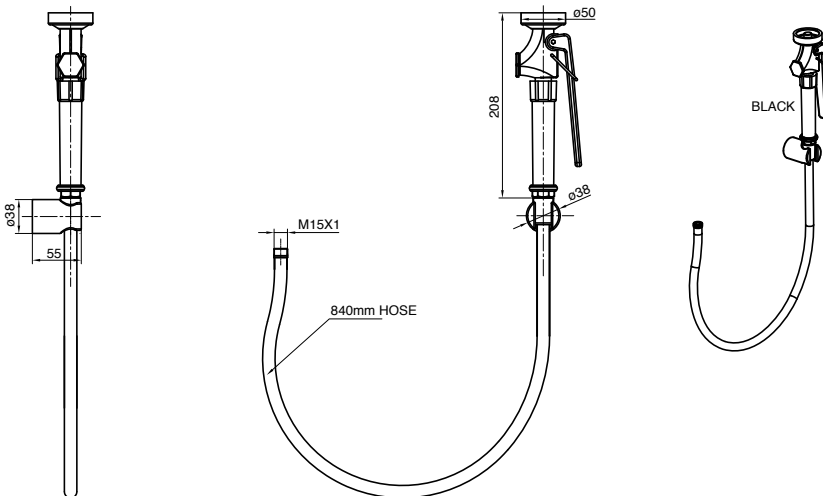
Model	Wolfen Hand Held Trigger Spray Assembly with Stop Tap	Wolfen Pre Rinse Slophopper Assembly Without Tap	Wolfen Trigger Spray
Product Code	252432	252444	252431
Product Type	Pre Rinse Hose System	Pre Rinse Hose System	Pre Rinse Trigger Spray
Colour	Chrome	Chrome	Chrome
Finish	Polished	Polished	Polished
Material	Brass	Brass	Brass
Cartridge Type	Ceramic disc	Ceramic disc	Ceramic disc
Min Continuous Flow Working Pressure	150kPa	150kPa	150kPa
Max Continuous Flow Working Pressure	500kPa	500kPa	500kPa
Min Continuous Working Temperature	5°C	5°C	5°C
Max Continuous Working Temperature	80°C	80°C	80°C
Max Static Pressure	500kPa	500kPa	500kPa

Wolfen Hand Held Trigger Spray Assembly With Stop Tap

252432


Wolfen Pre Rinse Slophopper Assembly Without Tap

252444

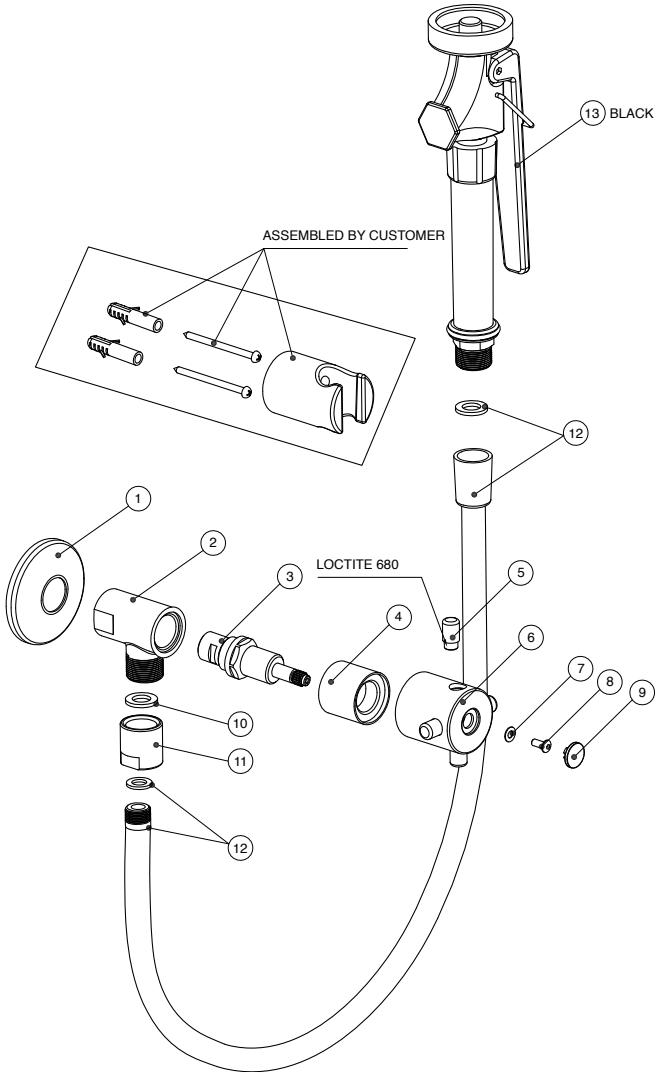


UNIT COMPONENTS

Wolfen Trigger Spray Assembly With Stop Tap

Item No.	Part Number	Description	Qty
1	2008-1	Stainless Dress Ring	1
2	892117	1/2 Angle Valve	1
3	84060257	C/Disc Cartridge	1
4	367-3	Flange	1
5	84060128	Handle, Lever	4
6	84060123	Handle, Body	1
7	82000022	Ø9Ø4. 3XO. 5 Washer	1
8	82000017	M4X10 Screw	1
9	81000028	Blue/Red Indicator	1
10	1702-5	Ø19XØ11X3 Washer	1
11	84060565	M15-G1/2 Adapter	1
12	82000012	Flexible Hose Assembly	1
13	82000026	Trigger Spray Gun, Black	1





INSTALLATION INSTRUCTIONS

Important Note

The product must be installed to the requirements of AS/NZS 3500 by a qualified plumber. The product comes to you already factory assembled and tested. We do not recommend the dismantling of any internal part of the product. The product is factory tested and sealed so as to give the best performance.

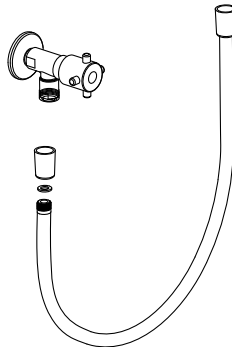
Trigger Spray Assembly Installation Instructions:

1. Please flush out new pipe work prior to connecting the unit.
2. The product should be installed with isolating stop cocks (Arco brand recommended).
3. This tap is suitable for high pressure applications where cold water supply pressures are at 150kPa or above.
4. Attach the trigger spray piece using the 15mm (1/2") BSP to the hose connection and ensure the washer is used to seal the joint between the trigger spray and hose.
5. The isolating taps must be turned off if not in use.
6. Once installation is complete, turn on the water to make sure all assembled joints are watertight.

Installing the Cistern Valve to the Wall:

1. A 15mm (1/2") BSP male thread must be installed coming out of the wall.
2. To install the cistern stop tap supplied with the Trigger Spray Assembly (252432), use the trouble dome provided to cover the hole in the wall. Screw the cistern tap onto the 15mm BSP male thread using an approved sealing method.
3. Connect the hose to the cistern tap by screwing the 15mm BSP female fitting with two flat washers to the wall elbow using an approved seal.

NOTE: This product is not supplied with any hazard devices.

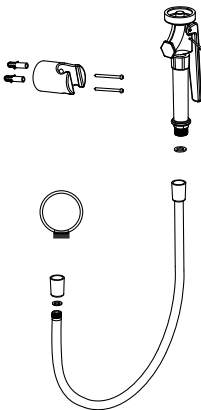


Connecting the Trigger Spray Assembly to the wall:

The wall bracket is provided with 2 screws. Fixing the unit to the wall will depend on the type of fixing you have. Screws provided can be used on any timber systems.

The wall bracket must be mounted at a sufficient height for the use of the product.

The larger diameter must be installed facing up for the trigger spray and hose to drop/slot in.



IMPORTANT INFORMATION:

- The mixer can only be used on mains pressure systems.
- The warranty is extended to the purchaser only and is not transferable.
- Misuse of the product is not covered by warranty.
- If the incoming water pressure exceeds 500kPa, it is recommended that you install an approved limiting valve.
- Approved operating temperature is not to exceed 80°C. Optimum operating temperature is 60°C.
- Minimum operating pressure is 150kPa.
- Maximum pressure is 500kpa, optimum working pressure is 350kPa.



Operating Instructions:

When not in use, the unit must be turned off at the cistern tap or water point.

The hose must not be overextended or bent forcibly.

REECE PRODUCT QUALITY GUARANTEE



You have purchased a quality product from Reece Australia Pty Ltd ABN 84 004 097 090 ("Reece"). This product is covered by a 5 year replacement product warranty and a 12 month warranty over spare parts and labour.

5 YEAR WARRANTY

This warranty covers faults in the product construction, material and assembly. Products which are within 5 years from the date of purchase, found upon inspection by an authorised Reece representative, to be defective in construction, material or assembly, will be repaired or exchanged with an equivalent product free of charge. Replaced items become Reece's property.

All replacement products will be available for collection without charge to the customer at the nearest Reece branch to the customer's location, or elsewhere as agreed between the customer and Reece.

Labour and Spare Parts

The labour for the replacement of products and spare parts to which this warranty applies will be supplied by Reece or relevant supplier using licensed plumbers engaged by Reece or relevant supplier within 1 year from the date of purchase. Spare parts other than those listed in the Manufacturer's Provisions above, which are within 1 year from the date of purchase found upon inspection by an authorised Reece representative to be defective in construction, material or assembly, will be replaced free of charge.

Warranty Conditions

This warranty will apply only under all of the following conditions:

- The item has been installed by a licensed plumber
- Failure is due to a fault in the manufacture of the product
- Proof of purchase (including the date of purchase) is provided
- The installation of the product is in accordance with the instructions provided

This warranty does not cover products purchased as an ex-display without being fully checked and tested for sale by the manufacturer.

This warranty does not include faults caused by:

- Unsuitable or improper use
- Incorrect installation or installation not in accordance with the instructions provided
- Installation or part installation by the purchaser or any person other than a LICENSED PLUMBER
- Normal wear and tear
- Inadequate or complete lack of maintenance
- Chemical, electrochemical or electrical influences
- Harsh detergents or abrasive cleaners used on product finishes

EXCLUSIONS

To the fullest extent permitted by law, Reece excludes all liability for damage or injury to any person, damage to any property, and any indirect consequential or other loss or damage.

CLAIM PROCEDURE

For all warranty queries customers are to contact the branch where the product was purchased. These details can be found on your purchase invoice.

Our goods come with guarantees that cannot be excluded under the Australian Consumer Law. You are entitled to a replacement or refund for a major failure and for compensation for any other reasonably foreseeable loss or damage. You are also entitled to have the goods repaired or replaced if the goods fail to be of acceptable quality and the failure does not amount to a major failure.

Don't risk it, use a licensed plumber.™

IF AFTER CHECKING THE
INSTALLATION INSTRUCTIONS
AND IMPORTANT
INFORMATION, THE PROBLEM
HAS NOT BEEN IDENTIFIED,
PLEASE CONTACT GENTEC
CUSTOMER SUPPORT ON:

+61 2 9211 4422 or
info@gentecaustralia.com.au



WOLFEN™

reece.com.au/wolfen