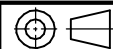


NOTE: REGAL AUSTRALIA IS HAPPY TO PROVIDE TECHNICAL ASSISTANCE TO OUR CUSTOMERS IN MANY AREAS. HOWEVER, SINCE REGAL AUSTRALIA IS NOT AWARE OF ALL DATA CONCERNING THE USE AND APPLICATION OF THIS MOTOR, THE SUITABILITY OF THE MOTOR FOR THE APPLICATION MUST BE DETERMINED BY AND IS THE RESPONSIBILITY OF THE CUSTOMER.



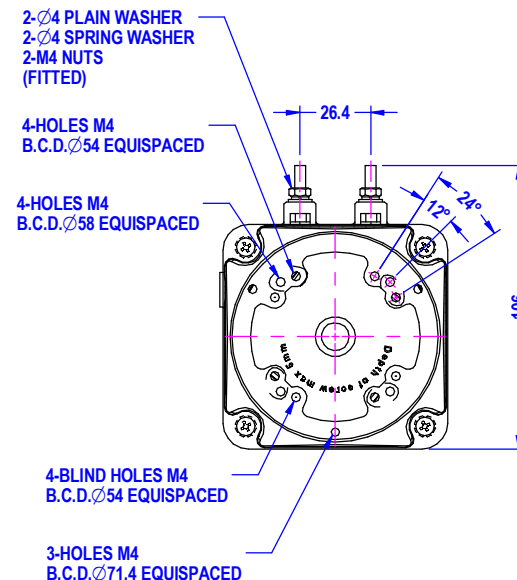
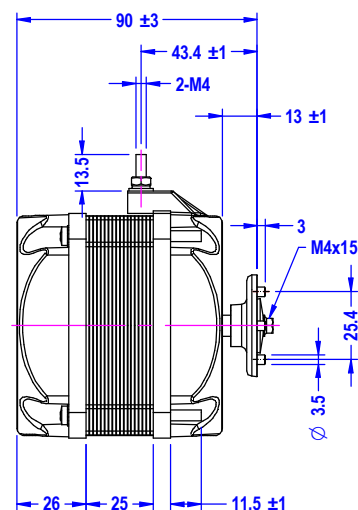
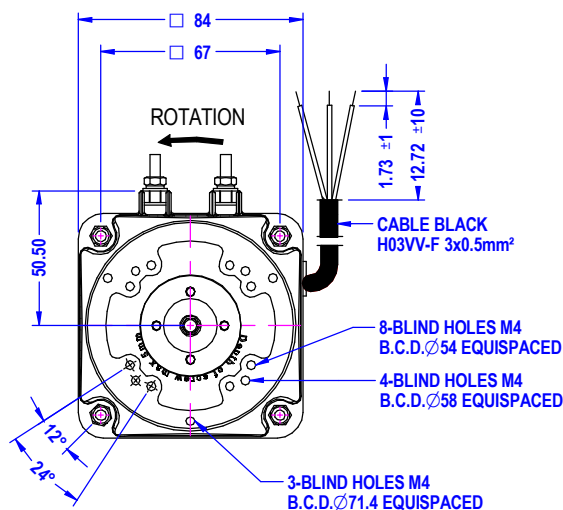
MOTOR SPECIFICATION

CUSTOMER				
CUSTOMER P/N				
QR No.		CAPACITOR	uf / V	
POWER OUTPUT	16W	START	NIL	
MOTOR TYPE		RUN	NIL	
SUPPLY	VOLTS	HERTZ	PHASE	POLES
	240	50	SINGLE	4
ENCLOSURE	TOTALLY ENCLOSED			
SPEED (RPM) AT RATED OUTPUT	1300	WINDING TYPE		
ROTATION	ANTI-CLOCKWISE (DRIVE END)			
INSULATION CLASS	F	DUTY	S1	
THERMAL PROTECTION	AUTO RESET			
RATED CURRENT	0.41	AMPS AT RATED OUTPUT		
APPLICATION	FAN DRIVE			
MOUNTING	TAPPED HOLES IN ENDSHIELD OR STUDS			
BEARING & LUBRICATION	BALL BEARING			
SUPPLY LEAD	COLOUR	BLACK		
	LENGTH	1500 ±40		
	TERMINALS			
	Q.C. HOUSING			
EARTH PROVISION				
BASIC BUILD SPECIFICATION				
PERFORMANCE SPECIFICATION				
SHAFT MATERIAL	1045 STEEL			
CONNECTION DIAGRAM		PAINT SPEC		

SPECIAL REQUIREMENTS

- ATTACH PLASTIC BAG TO LEAD CONTAINING THE FOLLOWING :
 4-OFF M4x8mm PAN HEAD PHILLIPS DRIVE ZP PLATED SCREWS
 4-OFF DIA.4mm EXTERNAL SHAKEPROOF ZP PLATED WASHERS

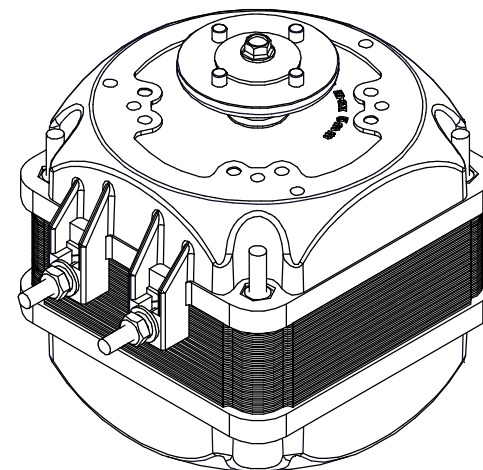
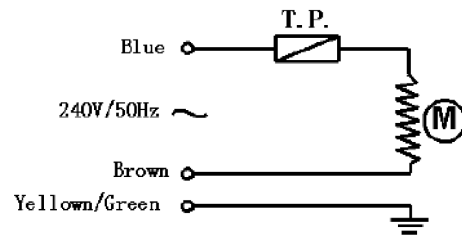
DO NOT SCALE PRINT



LABEL:

FASCO Model:55D516-80AT
 240V 50Hz 0.41A 16W Duty AOM
 CLASS F 1300rpm ThProt 07.21.17

CONNECTION DIAGRAM



DIMENSIONS IN mm UNLESS OTHERWISE SPECIFIED GENERAL TOLERANCES	
LINEAR:	X = ±1.0 XX = ±0.25 XXX = ±0.1
ANGULAR:	X = 2° XX = ±0.5°
SURFACE FINISHES IN MICRO METRES. MAX 3.0 SYMBOLS - A.S. 1100	
This drawing remains the property of Regal Australia Pty. Ltd. No part or parts of this drawing may be reproduced without written permission.	

MAT'L		
FINISH		
DRAWN	Veeranut	02/10/2018
CHECKED	Roshan	02/10/2018
RELEASED		
SCALE	NTS	



FRAME	MOTOR		REVISION
STATUS	4P 16W		
SHEET	DWG. NO.	55D516-80AT	A
A3			

MIC No. By: Veeranut Date: 02/10/2018 MIC A: NEW MODEL RELEASED Note: