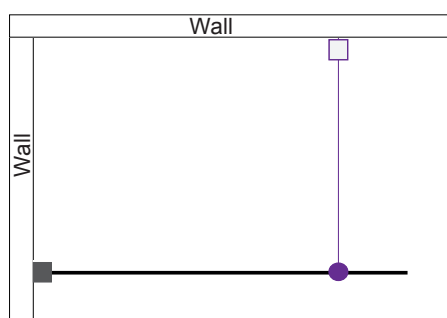
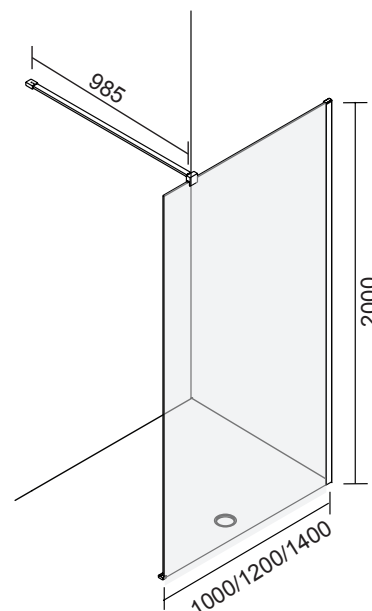
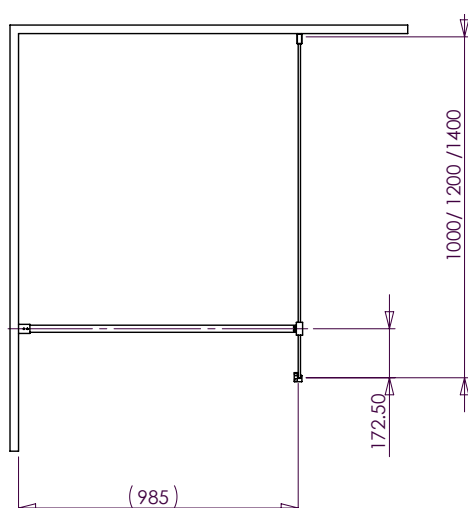


KADO

LUX FIXED SHOWER SCREEN PANEL & WALL SUPPORT



Front Shower Screen ———
 Wall Support ———□———
 Wall Profile Set ■



Dimensions are nominal measurements only.

SPECIFICATIONS

Recommended use	Domestic, hotel and commercial
Fixing	Onto the Tile Floors or Shower Tray
Material	Shower Screen: 8mm Glass Frame: Aluminium
Screen Sizes	1000mm, 1200mm, 1400mm
Screen	Semi frameless (8mm Glass)

CLEANING RECOMMENDATIONS

We recommend the use of soapy water or approved cleaners.

This product should not be cleaned with abrasive materials.

Damage caused by any improper treatment is not covered by the product warranty. Refer to Warranty Conditions on the last page



To see the complete KADO range go to
www.reece.com.au/bathrooms

Disclaimer: Products in this specification manual must by regulation be installed by licensed and registered trade people. The manufacturer/distributor reserves the right to vary specifications or delete models from their range without prior notification. Dimensions and set-outs listed are correct at time of publication however the manufacturer/distributor takes no responsibility for printing errors.

Tech Page Version 1

KADO

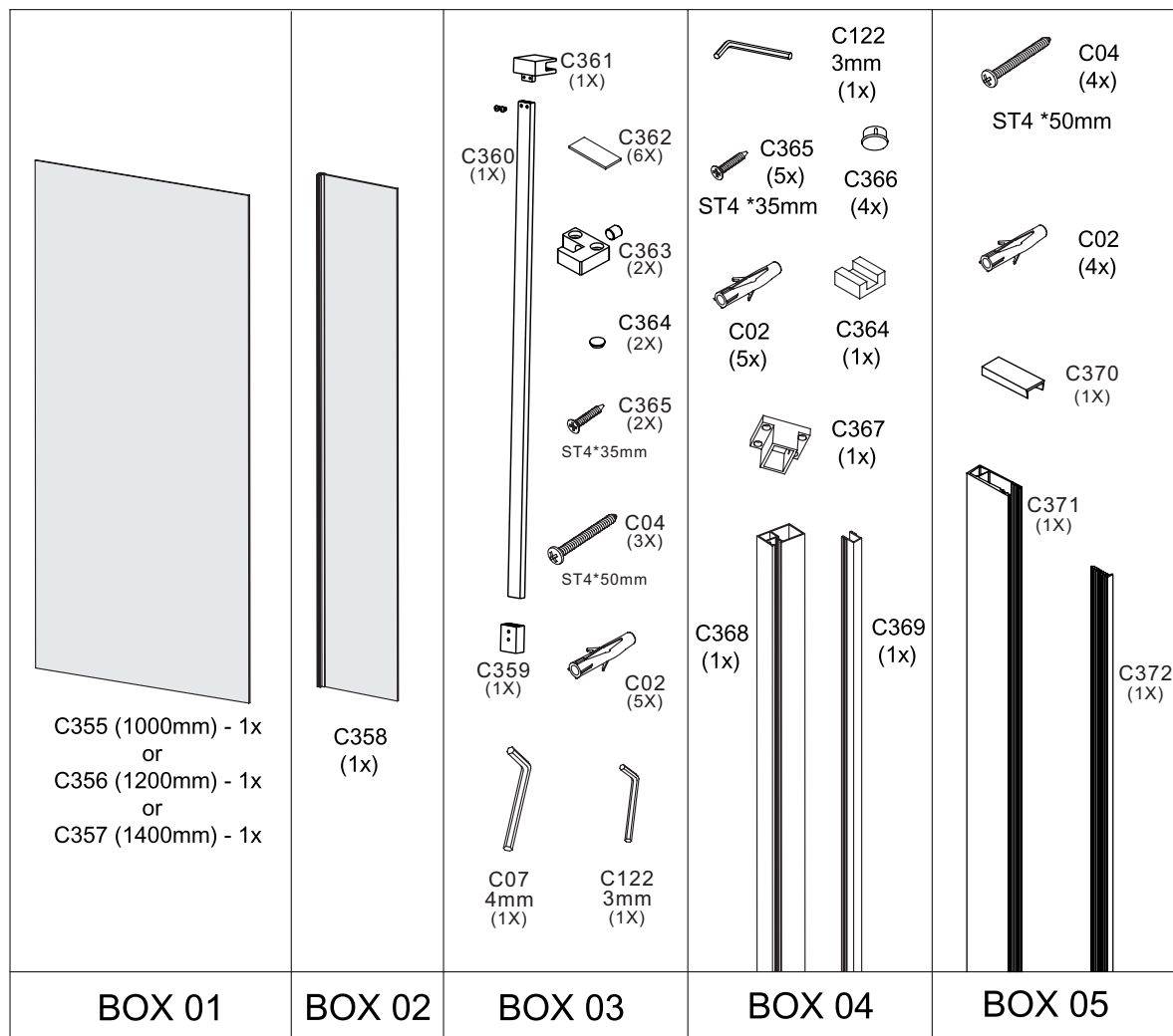
reece

KADO

LUX FIXED SHOWER SCREEN PANEL & WALL SUPPORT

INSTALLATION INSTRUCTIONS & PARTS

- Prior to installation ckeck that all fittings have been supplied.
- Handle glass with care, impacts can damage both the glass and the frame.
- Make sure there are no hidden pipes or cables in the wall where you intend to drill.



	Screen Wall Support	Screen & Panel Wall Support	Screen Ceiling Support	Screen & Panel Ceiling Support	Screen Double Entry Wall Support	Screen Double Entry & Panel Wall Support	Screen Double Entry Ceiling Support	Screen Double Entry & Panel Ceiling Support
BOX 01	1x	1x	1x	1x	1x	1x	1x	1x
BOX 02	-	1x	-	1x	-	2x	-	2x
BOX 03	1x	1x	-	-	2x	2x	-	-
BOX 04	-	-	1x	1x	-	-	2x	2x
BOX 05	1x	1x	1x	1x	-	-	-	-

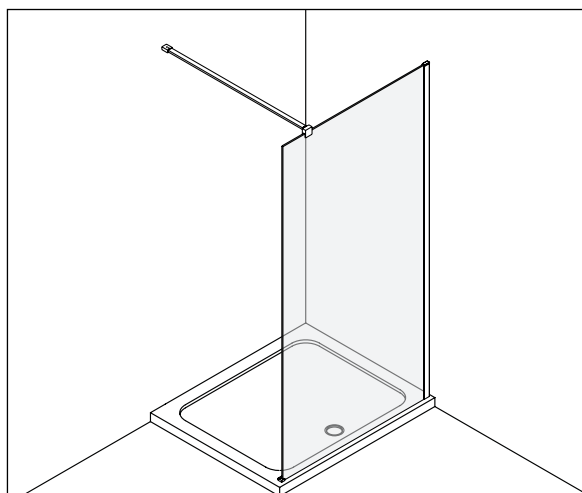
Plumbers, please ensure a copy of the installation instructions is left with the end user for future reference

KADO

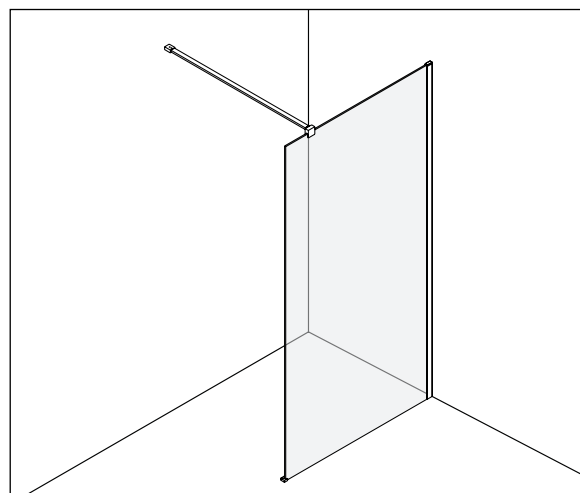
LUX FIXED SHOWER SCREEN PANEL & WALL SUPPORT

INSTALLATION INSTRUCTIONS

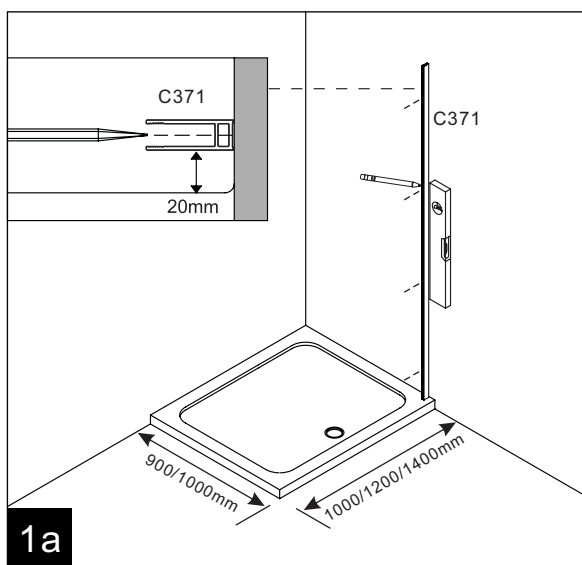
Note - The support measurement is just recommended and both the ceiling and wall supports can be cut down.



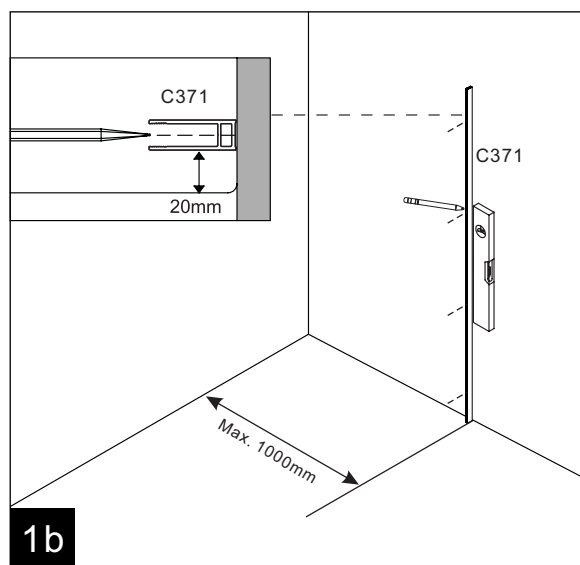
a - Shower screen with tray



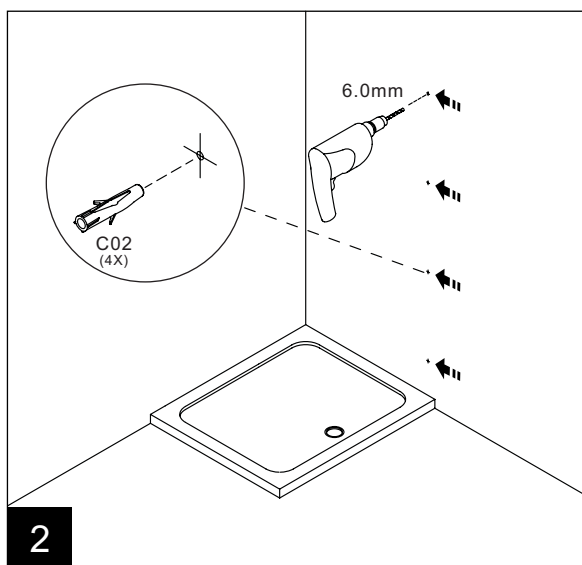
b - Shower screen without tray



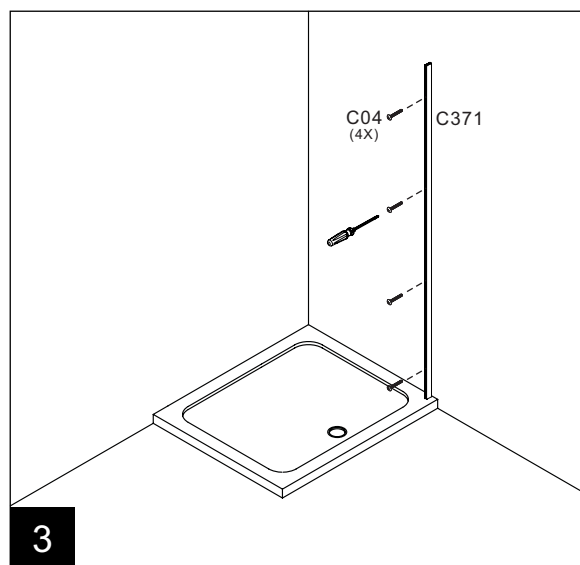
1a



1b



2



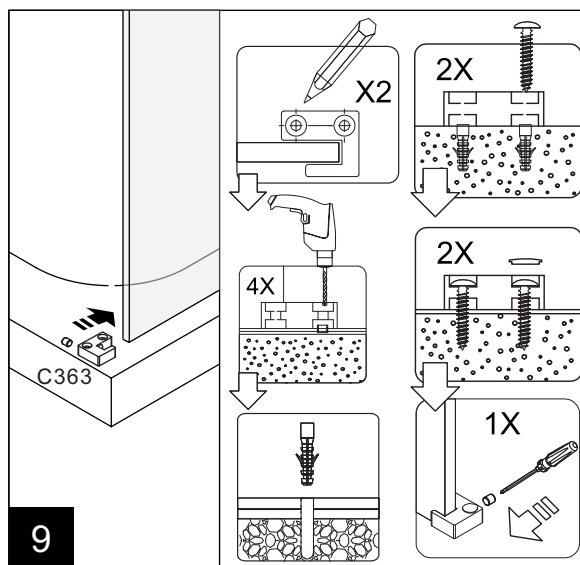
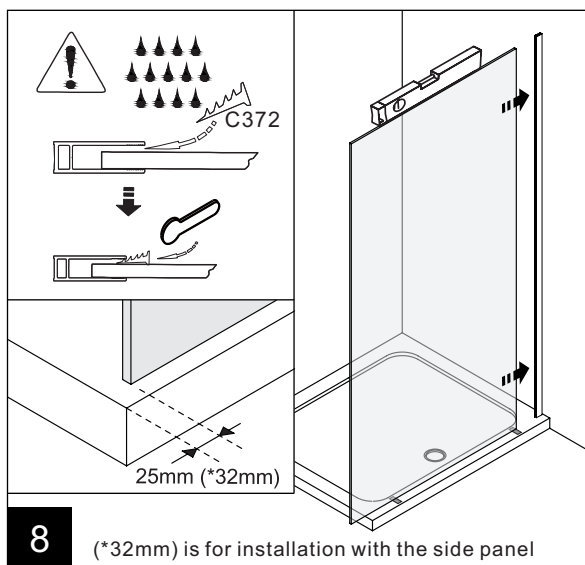
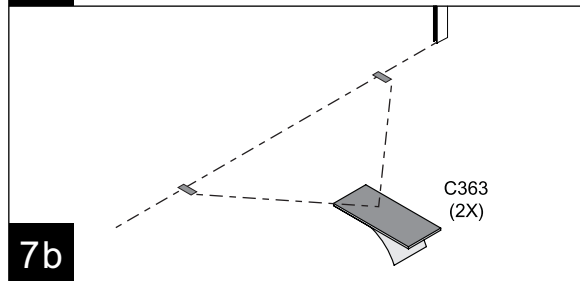
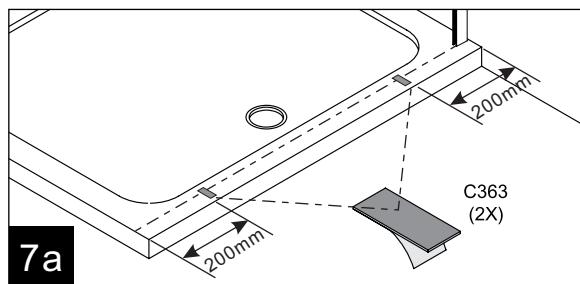
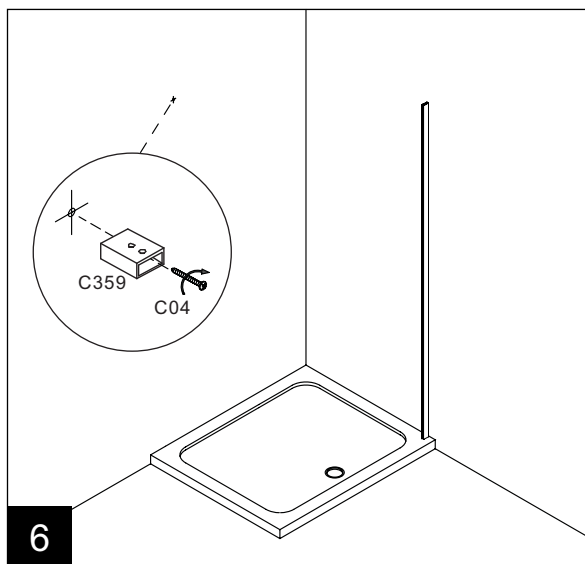
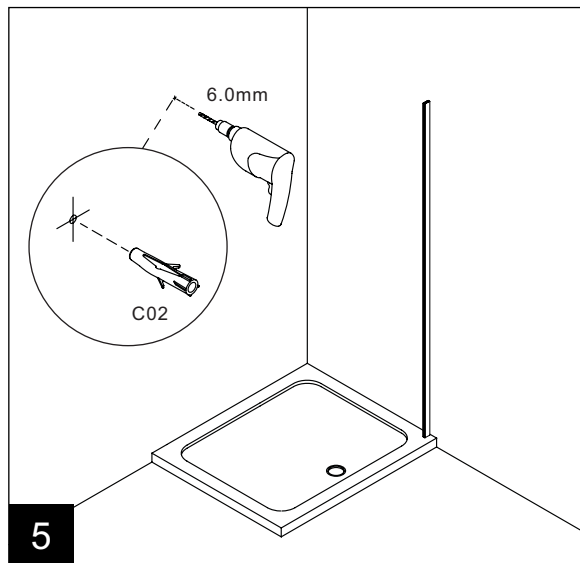
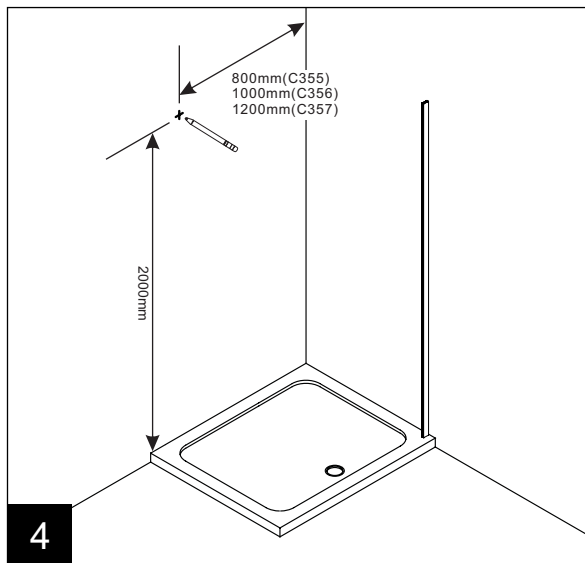
3

Plumbers, please ensure a copy of the installation instructions is left with the end user for future reference

KADO

KADO

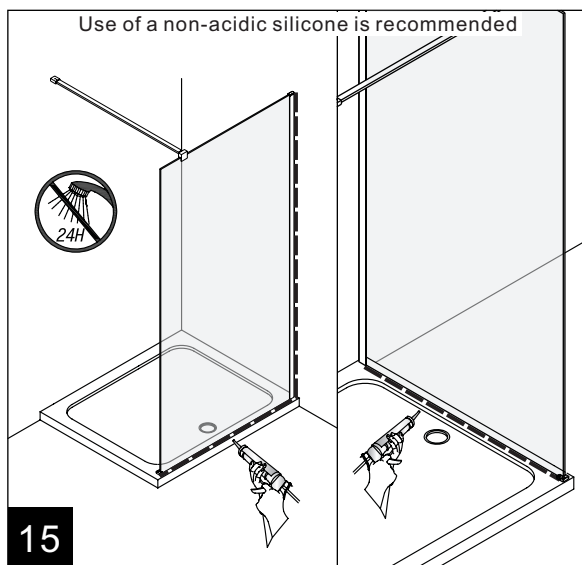
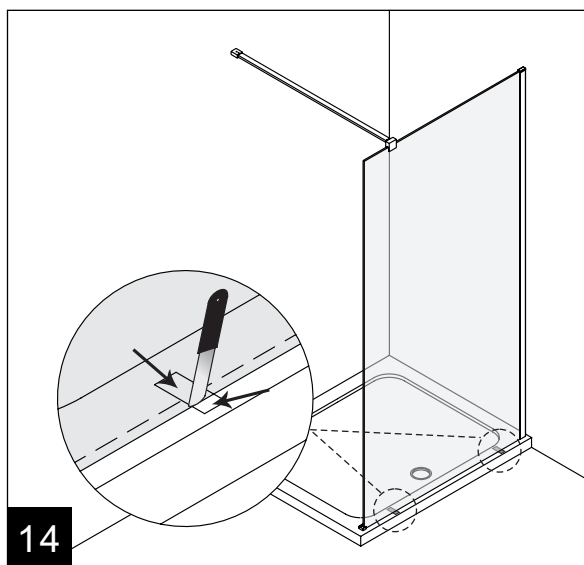
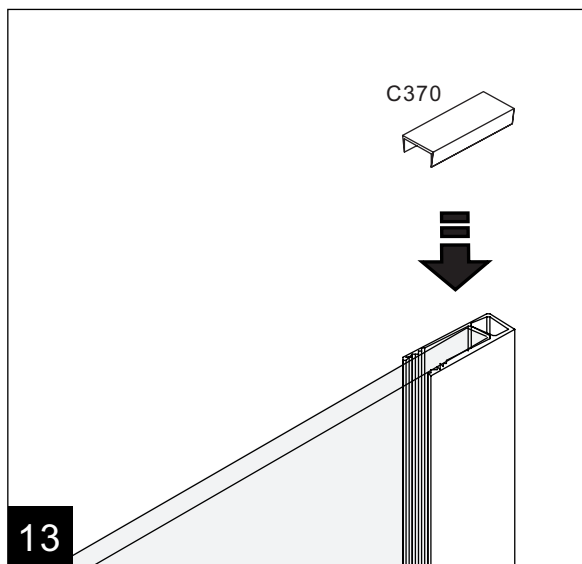
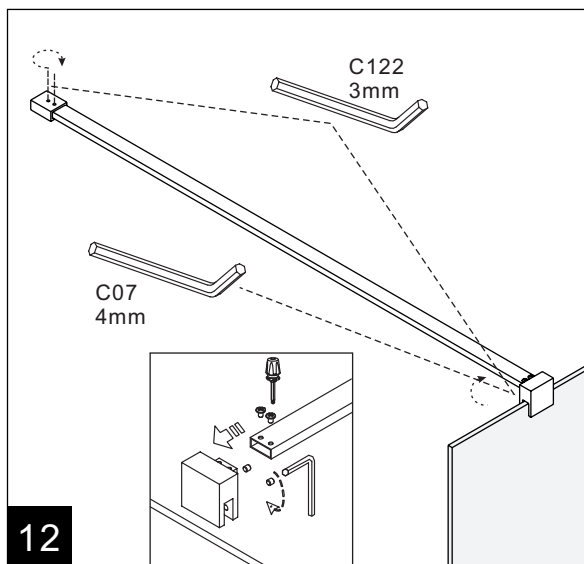
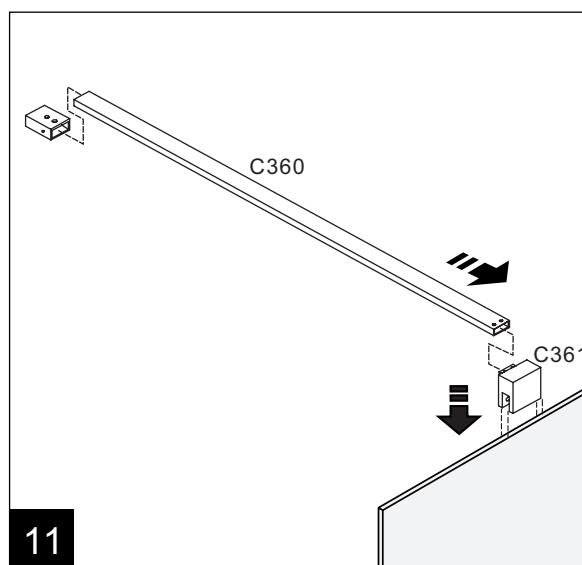
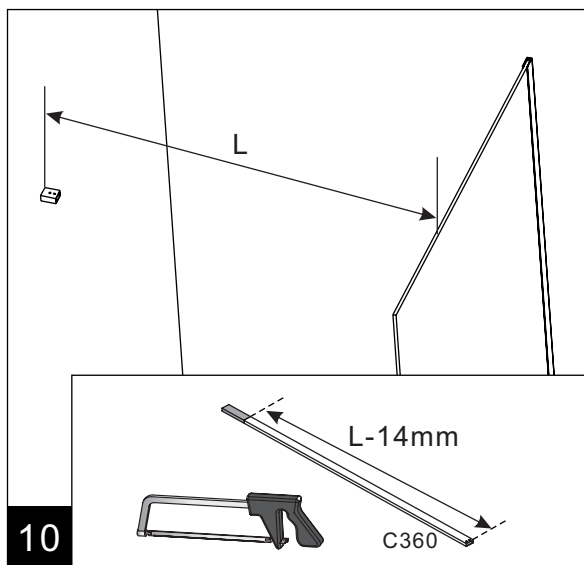
LUX FIXED SHOWER SCREEN PANEL & WALL SUPPORT



Plumbers, please ensure a copy of the installation instructions is left with the end user for future reference

KADO

LUX FIXED SHOWER SCREEN PANEL & WALL SUPPORT



Plumbers, please ensure a copy of the installation instructions is left with the end user for future reference

KADO

LUX FIXED SHOWER SCREEN PANEL & WALL SUPPORT**REECE PRODUCT QUALITY GUARANTEE**

You have purchased a quality product from Reece Pty Ltd ABN 84 004 097 090 ("Reece"). This product is covered by a 7 year replacement product warranty and a 12 month warranty over spare parts and labour.

7 YEAR WARRANTY – DOMESTIC USE

This warranty covers faults in the product construction, material and assembly. Products which are within 7 years from the date of purchase, found upon inspection by an authorised Reece representative, to be defective in construction, material or assembly, will be repaired or exchanged with an equivalent product free of charge. Replaced items become Reece's property.

All replacement products will be available for collection without charge to the customer at the nearest Reece branch to the customer's location, or elsewhere as agreed between the customer and Reece.

Labour and Spare Parts

The labour for the replacement of products and spare parts to which this warranty applies will be supplied by Reece or relevant supplier using licensed plumbers engaged by Reece or relevant supplier within 1 year from the date of purchase.

Labour will not be covered for removable items such as door drip seal. This item is removable for cleaning purposes.

Spare parts which are within 1 year from the date of purchase found upon inspection by an authorised Reece representative to be defective in construction, material or assembly, will be replaced free of charge.

Warranty Conditions

This warranty will apply only under all of the following conditions:

- The item has been installed by a licensed plumber
- The item has been installed for and subjected to domestic residential use only
- Failure is due to a fault in the manufacture of the product
- Proof of purchase (including the date of purchase) is provided
- The installation of the product is in accordance with the instructions provided
- This warranty does not cover products purchased as an ex-display without being fully checked and tested for sale by the manufacturer.
- This warranty does not include faults caused by:
 - Unsuitable or improper use
 - Incorrect installation or installation not in accordance with the instructions provided

- Installation or part installation by the purchaser or any person other than a LICENSED PLUMBER
- Normal wear and tear
- Inadequate or complete lack of maintenance
- Chemical, electrochemical or electrical influences
- Harsh detergents or abrasive cleaners used on product finishes

1 YEAR WARRANTY – COMMERCIAL USE

'Commercial' use is all use other than for normal domestic residential purposes, including use in non-business places as in public buildings, schools, sports centres and in establishments that contain private bathrooms with high frequency of use by many individuals, such as hotels, motels, retirement villages and hospitals.

The Commercial warranty covers this product against manufacturing faults in the construction, material and assembly of both the finished products and any spare parts for a period of 1 year from the date of purchase. Products and spare parts which are found upon inspection by an authorised Reece representative to be defective in construction, material or assembly will be repaired or exchanged free of charge. Replaced items become Reece's property. The labour for the replacement of products and spare parts to which this warranty applies will be supplied by Reece or relevant supplier using licensed plumbers engaged by Reece or relevant supplier. The Warranty Conditions and exclusions which apply to the domestic use warranty also apply to this commercial warranty.

EXCLUSIONS

To the fullest extent permitted by law, Reece excludes all liability for damage or injury to any person, damage to any property, and any indirect consequential or other loss or damage.

CLAIM PROCEDURE

For all warranty queries customers are to contact the branch where the product was purchased. These details can be found on your purchase invoice.

Our goods come with guarantees that cannot be excluded under the Australian Consumer Law. You are entitled to a replacement or refund for a major failure and for compensation for any other reasonably foreseeable loss or damage. You are also entitled to have the goods repaired or replaced if the goods fail to be of acceptable quality and the failure does not amount to a major failure.

Don't risk it, use a licensed plumber.™

KADO

The logo for Reece, consisting of the word 'reece' in a white, lowercase, sans-serif font inside a dark blue rounded rectangle.