

# CONICAL INSET FLUSHING SINK

7.09

COMMERCIAL SINKS

#FLI2 / CONICAL INSET FLUSHING SINK



**WaterMark**  
WM-022885  
WMTS 526  
BRITEX:LDUS-A, LDUS-B, FLF2  
Match with Zurn Flush Valve ZH-6152XL  
4.5L

Scan QR code  
to view online



## features and benefits

- Integral flange around top of bowl
- Insets into almost any solid surface
- 1.2mm grade 304 or 316 S.S.
- Quickly & hygienically disposes of liquid and solid waste
- Commonly used in food processing and medical facilities
- Can be used as wine spittoon
- Concealed internal flushing rim
- All internal bowl surfaces are flushed
- Can be made to custom sizes
- OEM model supplied without flange

## about

*BRITEX Stainless Steel Inset Flushing Sinks* are supplied with a flange around the top of the bowl allowing them to be inset into almost any solid surface. Fabricated from 1.2mm commercial grade 304 or acid resisting grade 316 satin finish stainless steel, the conical shaped bowl includes a concealed perforated tube around the top of the bowl that can be 'flushed' when connected to a flush valve – such as an In-wall cistern and provides efficient, hygienic removal of liquid waste from all internal bowl surfaces. *BRITEX Stainless Steel Inset Flushing Sinks* are available with a 100mm dropper waste and are common place in health projects and aged care facilities or in wineries, where they are used as a wine spittoon. An OEM version of this product - without top flange - can be supplied for welding into bench tops by others.

## sample spec. text

*BRITEX grade 304/316 S.S. Inset Flushing Sink - Conical/Rectangular flushing bowl with 100mm waste connection - Product Code FLIX*

\*RED TEXT may denote a **variable** where one option only is to be selected, a **nominal dimension** that needs to be specified, or an **optional feature** that can be removed if not required. Please refer to the back of this page for additional specification details and options.

VISIT [BRITEX.COM.AU](http://BRITEX.COM.AU) TO DOWNLOAD BIM FILES, CAD DRAWINGS AND THE MOST CURRENT PRODUCT LITERATURE.



**MELBOURNE**  
Britex Place, Mirra Crt  
Bundoora VIC 3083  
t (03) 9466 9000  
f (03) 9466 9044

**SYDNEY**  
16 Northumberland Drv  
Taren Point NSW 2229  
t (02) 9531 2100  
f (02) 9531 2800

**PERTH**  
Unit 1/8 Principal Link  
Malaga WA 6090  
t (08) 9249 5464  
f (08) 9248 6893

**BRISBANE**  
19 Manilla St  
East Brisbane QLD 4169  
t (07) 3363 2400  
f (07) 3363 2444

**ADELAIDE**  
The Britex Group  
SA State Office  
t 1300 764 744  
f 1300 784 306

[britex.com.au](http://britex.com.au) | [info@britex.com.au](mailto:info@britex.com.au) | A.B.N 83 004 309 737

# CONICAL INSET FLUSHING SINK

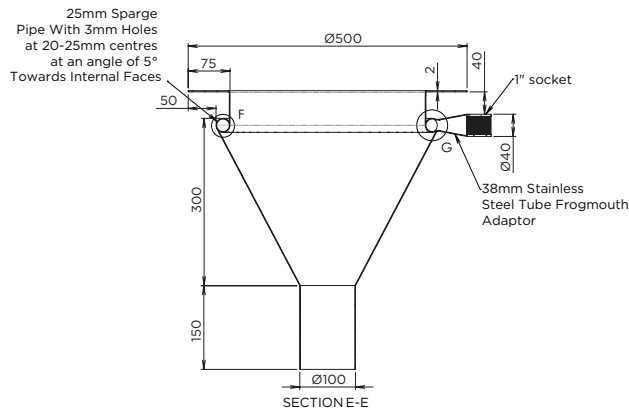
PRODUCT CODE

**FLI 2** Conical Bowl

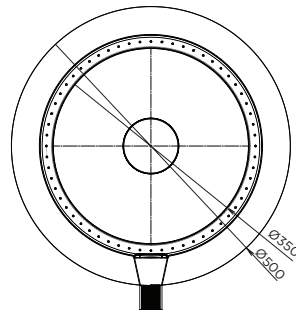
Suggested Tapware:



TW-ST5  
Slophopper Trigger Spray



MODEL FLI2 Section



MODEL FLI2 Plan

*When specifying this product please include:*

specifying guide

- Product **Name** and **Code**
- Product **Dimensions**
- **Grade** of Stainless Steel (304 or 316)
- **Waste Size** - 100mm

options

- Grade 304 or 316 S.S.
- Grate for waste outlet (suits liquid waste disposal only)

VISIT [BRITEX.COM.AU](http://BRITEX.COM.AU) TO DOWNLOAD BIM FILES, CAD DRAWINGS AND THE MOST CURRENT PRODUCT LITERATURE.

Last Revised 2020



Due to ongoing research and our commitment to product development, details are subject to change without notice. Details accurate at time of print. Please refer to [britex.com.au](http://britex.com.au) for the most current product information. Allow +/- 5mm tolerance for dimensions and setouts shown in product literature.

[britex.com.au](http://britex.com.au) | [info@britex.com.au](mailto:info@britex.com.au) | A.B.N 83 004 309 737

