

DualTEMP® Electric 315L

431315

4 - 6

PEOPLE

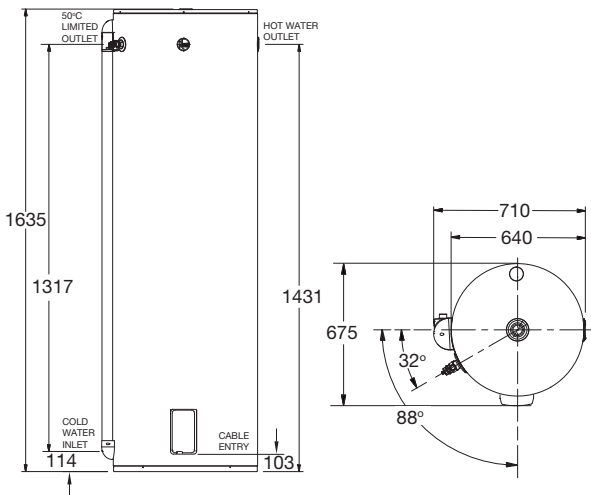
Indoor/
Outdoor

INSTALLATION



Features & Benefits

- Fast, easy like-for-like replacement
- Tempered water outlet (left hand outlet), adjustable to deliver up to 50°C hot water
- Full temperature outlet (right hand outlet), can deliver full temperature (up to 70°C) hot water for kitchen and laundry
- Left hand inlet only
- Australian made
- 12 year cylinder warranty¹



MODEL	431315
Hot Water Delivery (L)	315
kW Rating	3.6
Relief Valve Pressure (kPa)	1000
Expansion Control Valve (kPa)	850
Max Water Supply Pressure:	
with ECV (kPa)	680
without ECV (kPa)	800
Water Connections	G 3/4 B, Rp 3/4
Approx. Weight (packaged) kg	97



Scan code for details & installation instructions

