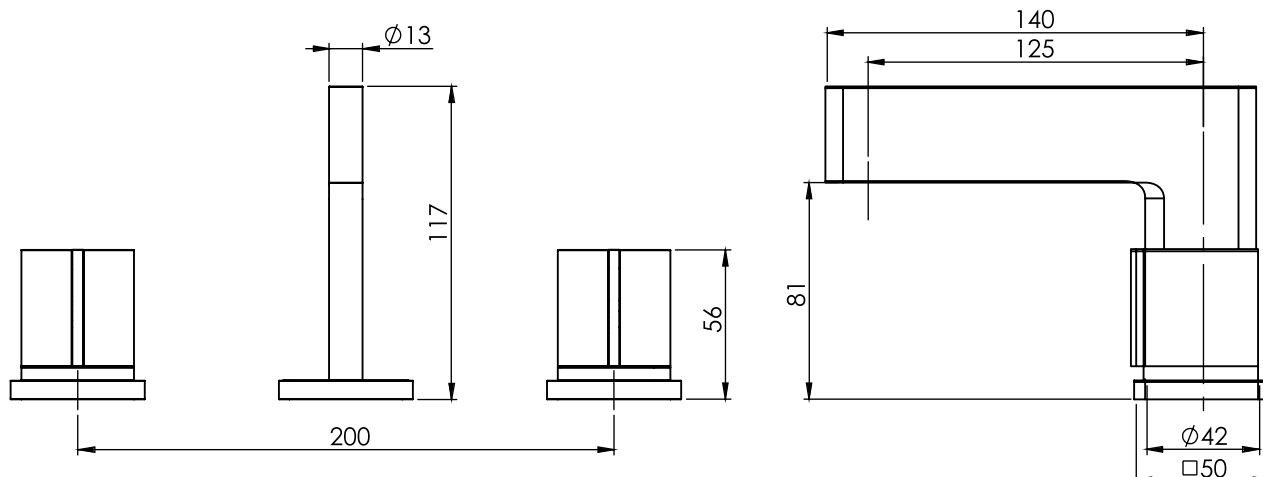


MILLI AXON BASIN SET



SPECIFICATIONS

Recommended Use	Domestic, hotel and commercial
Finish Available	Chrome Handle with Chrome Outlet Chrome/Black Handle with Black Outlet
Pressure Rating	Maximum continuous operating pressure 500 kPa. Note: For best performance and longer life, we recommend 150-500 kPa.
Temperature Rating	Maximum continuous working temperature 75 °C
Suitable Hot Water	Storage Tank: Yes Continuous Flow: Refer to manufacturer of continuous hot water systems Gravity Feed: No
WELS	Stars: 5 Flow Rate: 5lt/min
Standards	AS/NZS 3718



CLEANING RECOMMENDATIONS

We recommend the use of soapy water or approved cleaners. This product should not be cleaned with abrasive materials. Damage caused by any improper treatment is not covered by the product warranty- refer to Warranty Conditions.

To see the complete MILLI range go to www.reece.com.au/bathrooms



Disclaimer: Products in this specification manual must by regulation be installed by licensed and registered trade people. The manufacturer/distributor reserves the right to vary specifications or delete models from their range without prior notification. Dimensions are nominal measurements only. Dimensions and set-outs listed are correct at time of publication however the manufacturer/distributor takes no responsibility for printing errors.

Tech Page Version 1



MILLI AXON BASIN SET


INSTALLATION INSTRUCTIONS

Important Note

Mixer must be installed to the requirements of AS/NZS 3500 by a qualified plumber. Your mixer comes to you already factory assembled and tested. We do not recommend the dismantling of any internal part of the mixer. The mixers are factory tested and sealed so as to give the best performance.

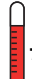
Milli Axon Basin Set INSTALLATION INSTRUCTIONS

WATER SUPPLY REQUIREMENTS



**150 KPa Min.
550 KPa Max.**

Recommended Working Pressure



75°

Maximum hot water temperature

Note:

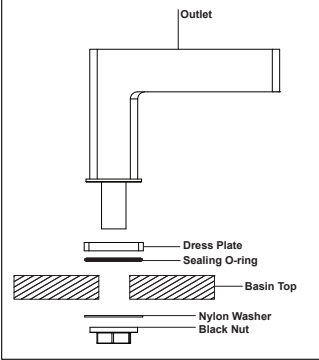
- If the pressure exceeds or is likely to exceed 550kpa, an approved pressure limiting device must be installed.
- Flush out all pipe work prior to installation.
- If the water temperature exceeds 75°C, an approved tempering valve must be fitted.
- Installation should comply with Australian standard AS3500.1 or relevant local authority requirements.

Failure to comply with the above may void all warranties.

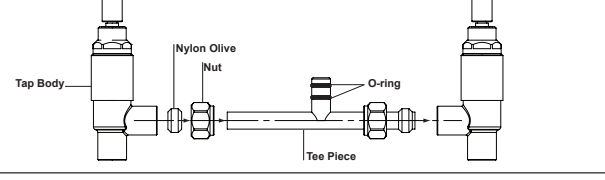
Maintenance and Care

- Chrome plated surfaces should be cleaned with mild liquid detergent or soap and water.
- Do not** use cream cleaners or citrus based cleaning products, as they are abrasive.
- Use of unsuitable cleaning agents may damage the surface. Any damage caused in this way will not be covered by warranty.

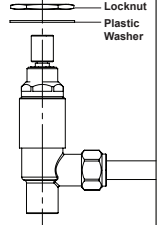
1 Install Outlet with Dress Plate and Sealing O-ring, position as required. Fit Nylon Washer and Black Nut and tighten securely.



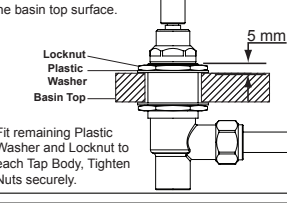
2 Measure centre distance between Tap Body holes in the basin top, cut Tee Piece to required length. Fit Nuts and Nylon Olives to each end of Tee Piece, connect to Tap Bodies and tighten nuts lightly.



2 Fit one Locknut and Plastic Washer to each Tap Body.

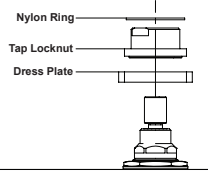


3 Install assembly into basin top, ensure O-rings on Tee Piece are not damaged as they enter the outlet tail. Adjust Locknuts so Tap Bodies protrude 5mm above the basin top surface.

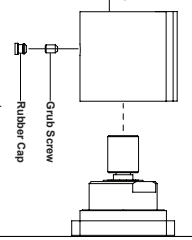


Fit remaining Plastic Washer and Locknut to each Tap Body, Tighten Nuts securely.

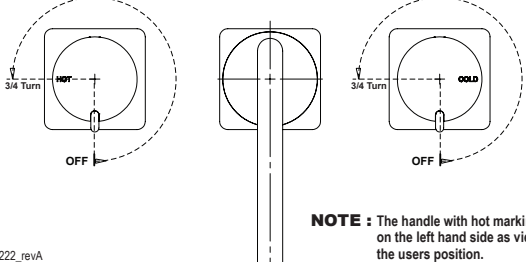
4 Place Dress Plates over the cartridges, fasten Tap Locknuts firmly. Fit Nylon Rings to the recesses on Tap Locknuts.



4 Turn both taps to close position. Fit Tap Handles onto the cartridge spindles. Fasten Grub Screws firmly. Fit Rubber Caps to positions.



Tap Operation



NOTE : The handle with hot marking must be on the left hand side as viewed from the users position.

IN0222_revA