

GROTHERM SMARTCONTROL  
3 BUTTON CONTROL THERMOSTATIC MIXING VALVE  
MODEL #29138GN0

Pure Freude  
an Wasser



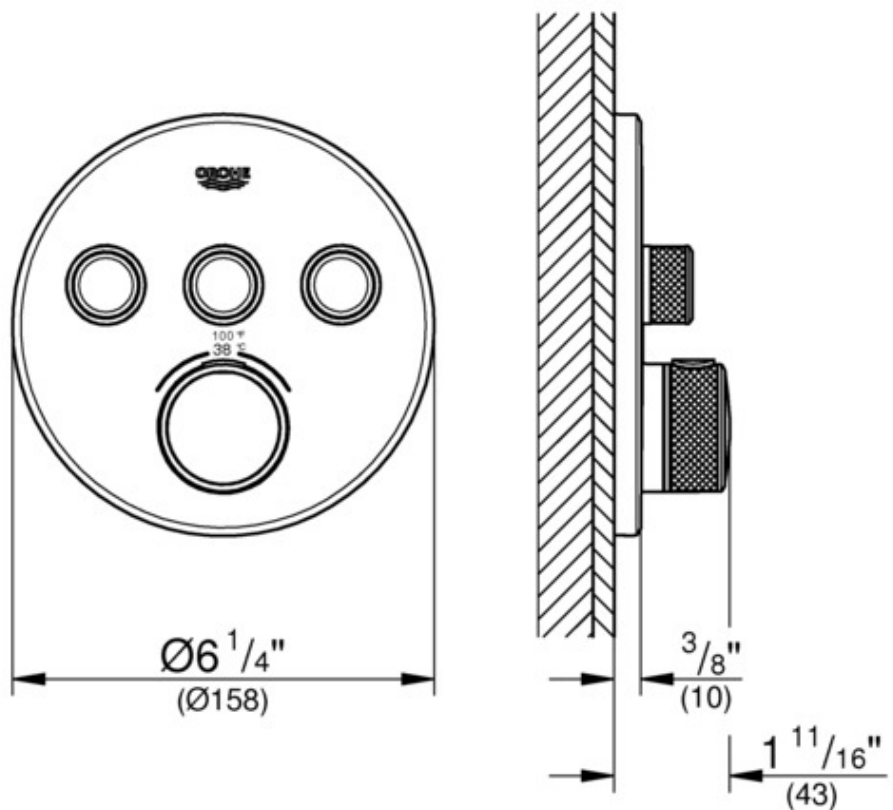
Product Specifications



Product description

**Grotherm SmartControl**  
**Thermostat for concealed installation with 3 valves**  
Requires Rough-in-set for final installation GROHE Rapido SmartBox 35 602 000  
Metal wall escutcheon with GROHE QuickFix (covered escutcheon and shaft sealing, covered fixing), retroactively 6° adjustable  
**GROHE StarLight** PVD Brushed Cool Sunrise  
**GROHE SmartControl** push for ON-OFF, turn for volume adjustment from EcoJoy to Full Flow, exchangeable symbols  
**GROHE TurboStat** compact cartridge with wax thermostatic element  
**GROHE SafeStop** safety button at 38°C  
**GROHE SafeStop Plus** maximum temperature limiter at 43° C  
Built-in non return valves and dirt strainers  
Multiple outlets can be run simultaneously  
Without roughing-in-set

Flow performance:  
outlet A = 23 l/min  
outlet B = 27 l/min  
outlet C = 23 l/min

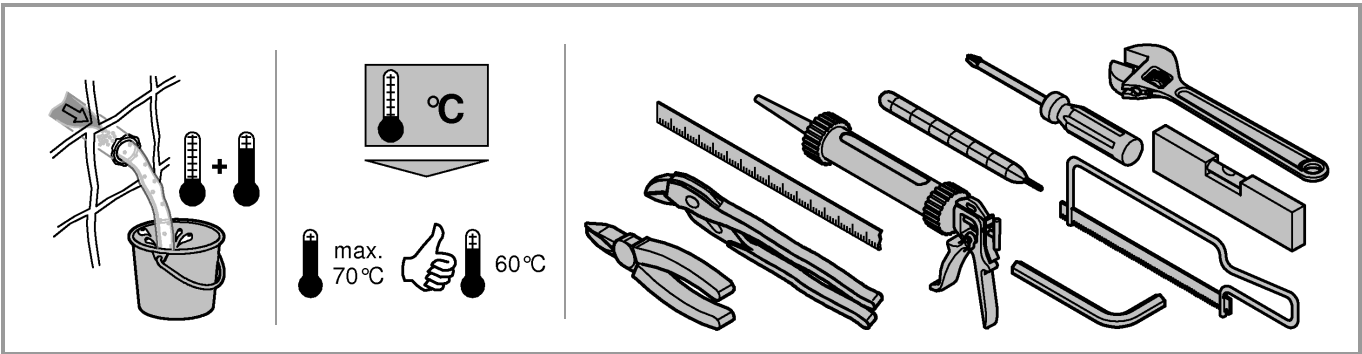


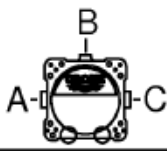
GROTHERM SMARTCONTROL  
 3 BUTTON CONTROL THERMOSTATIC MIXING VALVE  
 MODEL #29138GN0

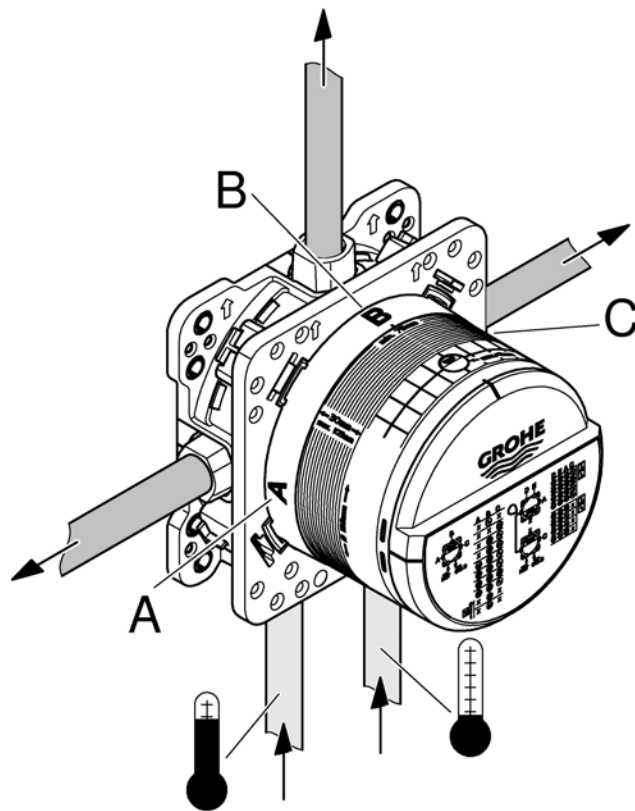
*Pure Freude  
 an Wasser*



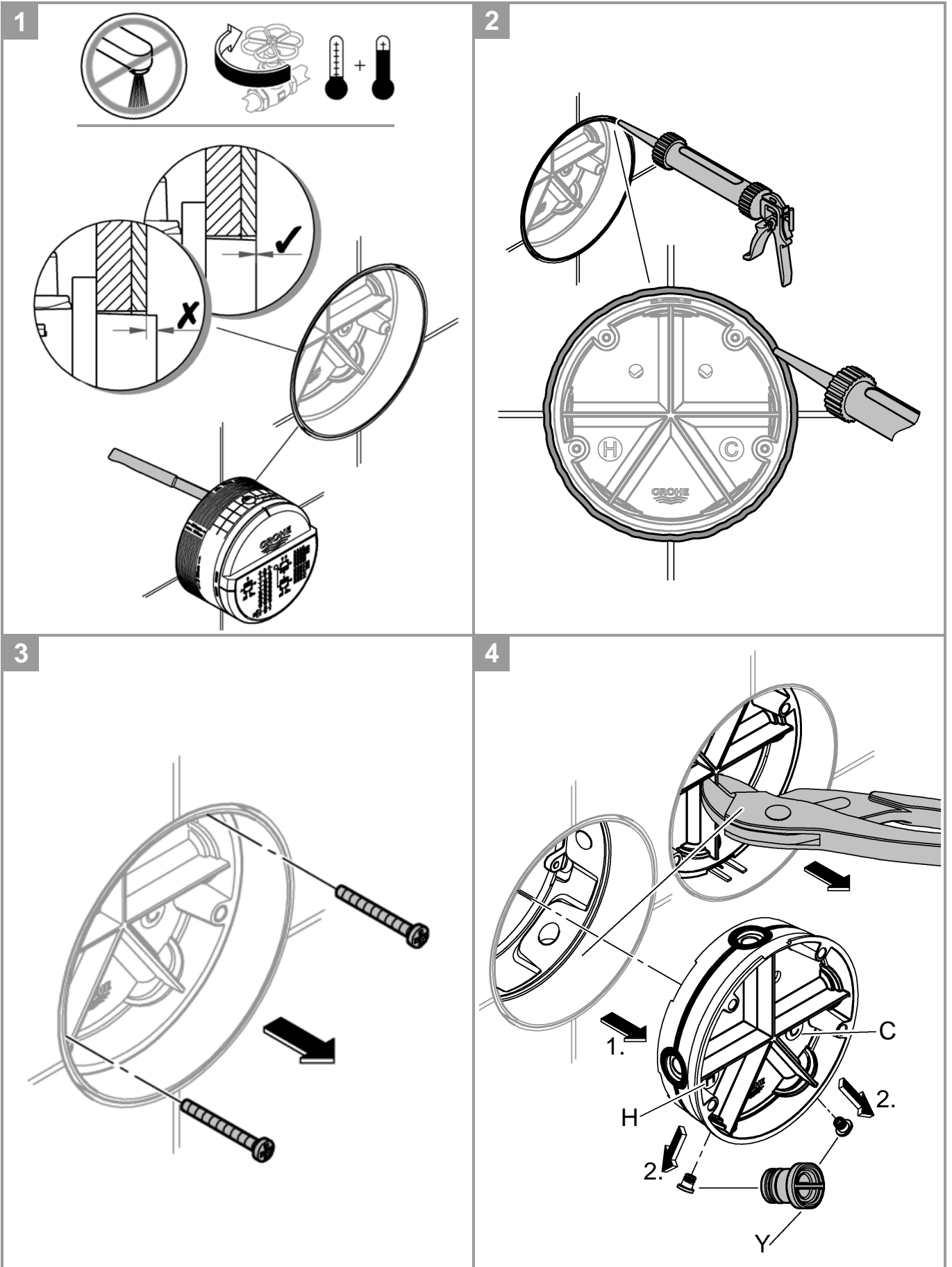
Installation Instructions



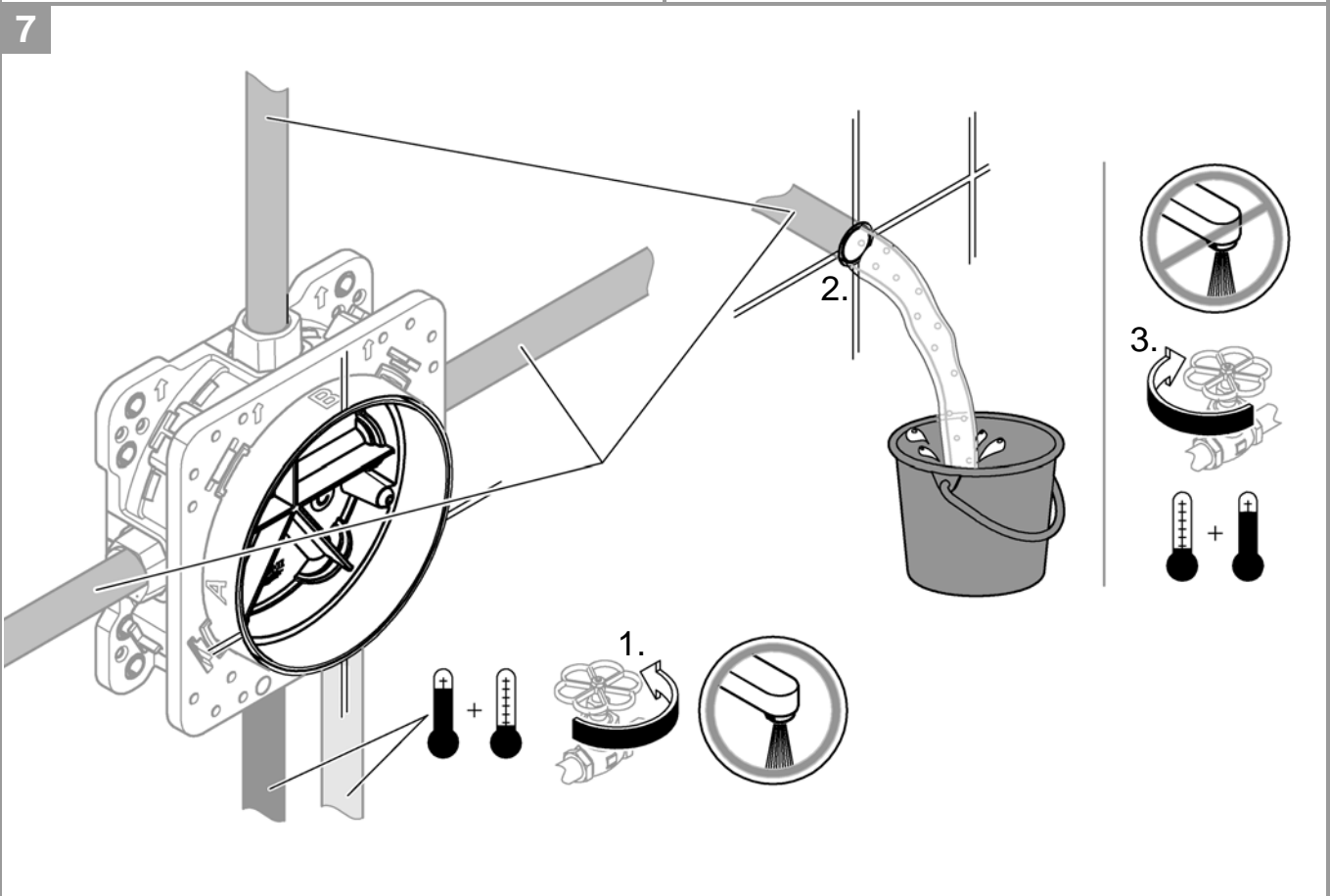
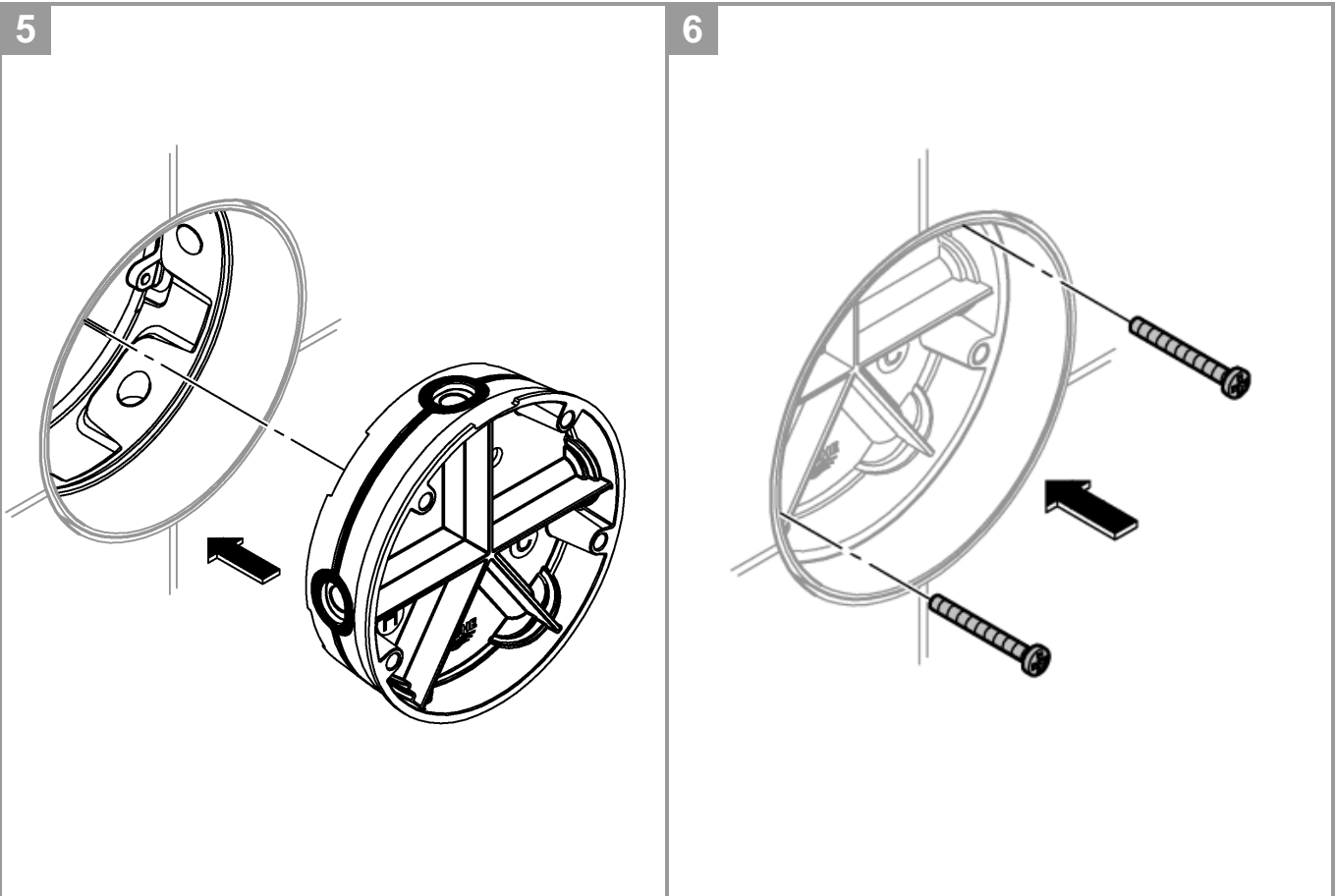
	kPa						l/min
	100	200	300	400	500	600	
A	13,3	18,8	23	26,6	29,7	32,5	
B	15,6	22	27	31,2	34,9	38,2	
C	13,3	18,8	23	26,6	29,7	32,5	
A+B	19,1	26,9	33	38,1	42,6	46,7	
A+B+C	20,8	29,4	36	41,6	46,5	50,9	



Installation Instructions

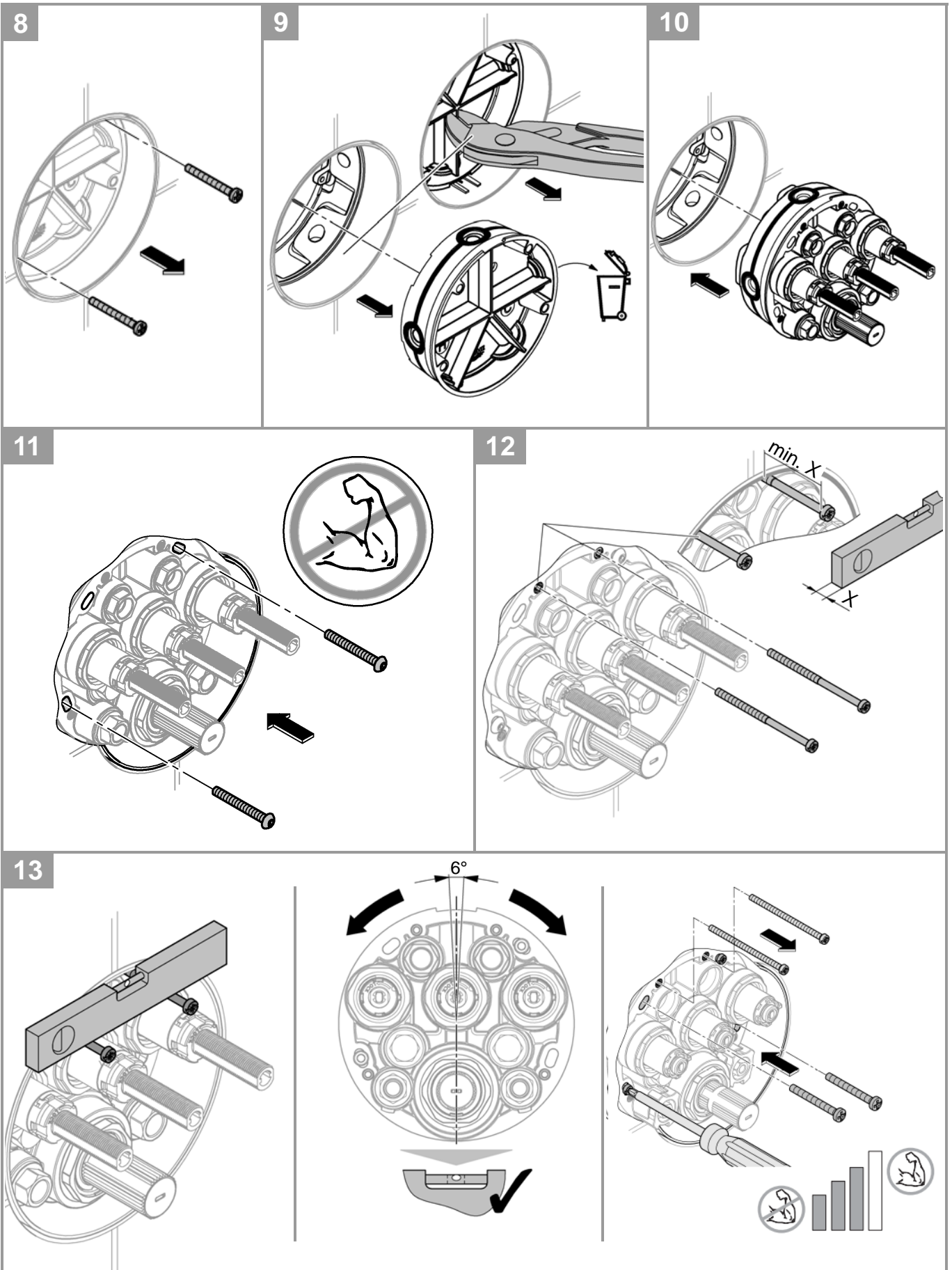


Installation Instructions

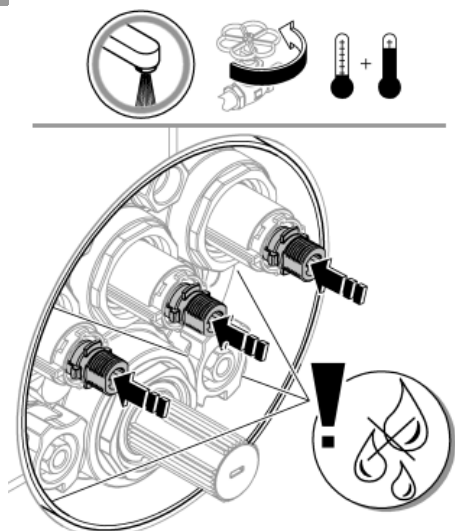




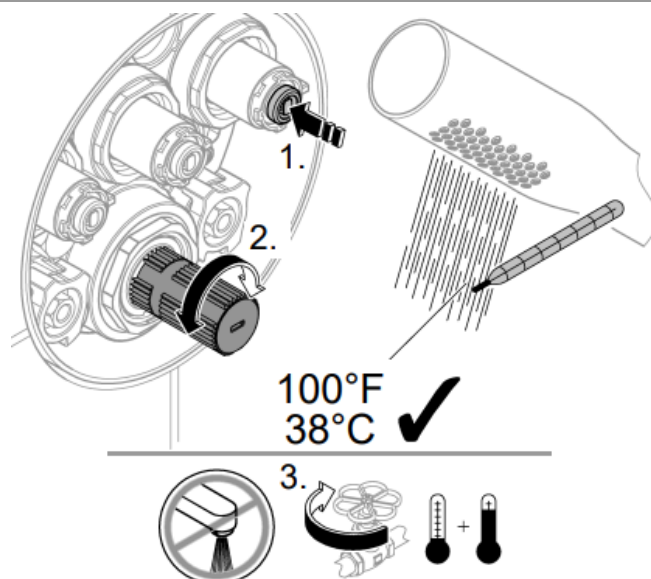
Installation Instructions



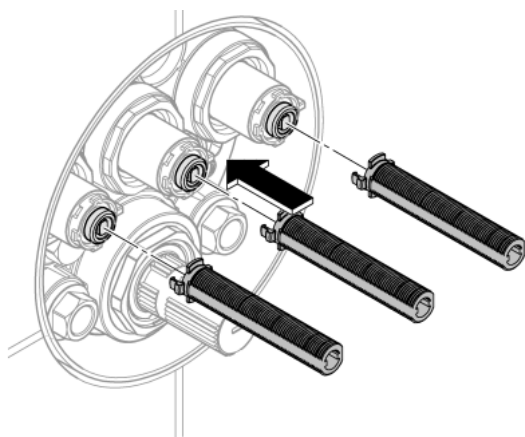
14



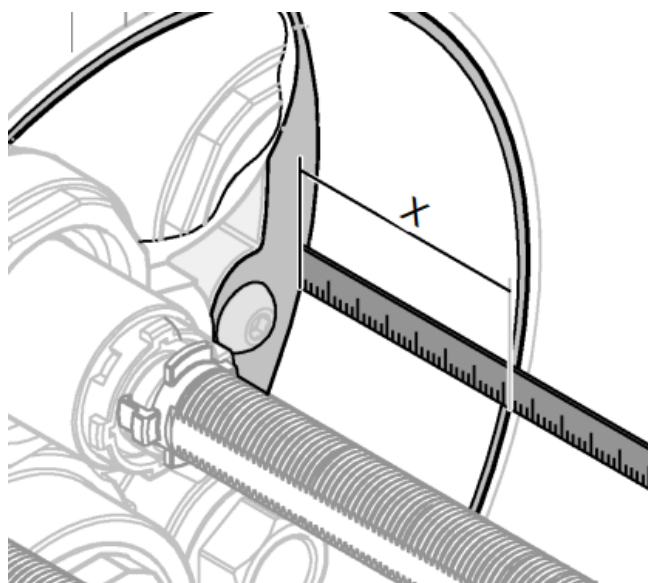
15



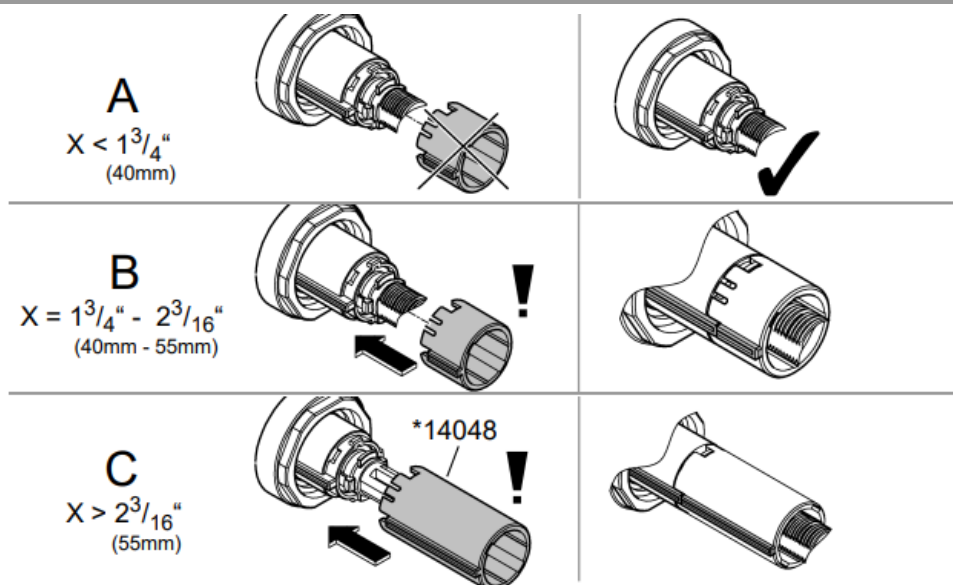
16



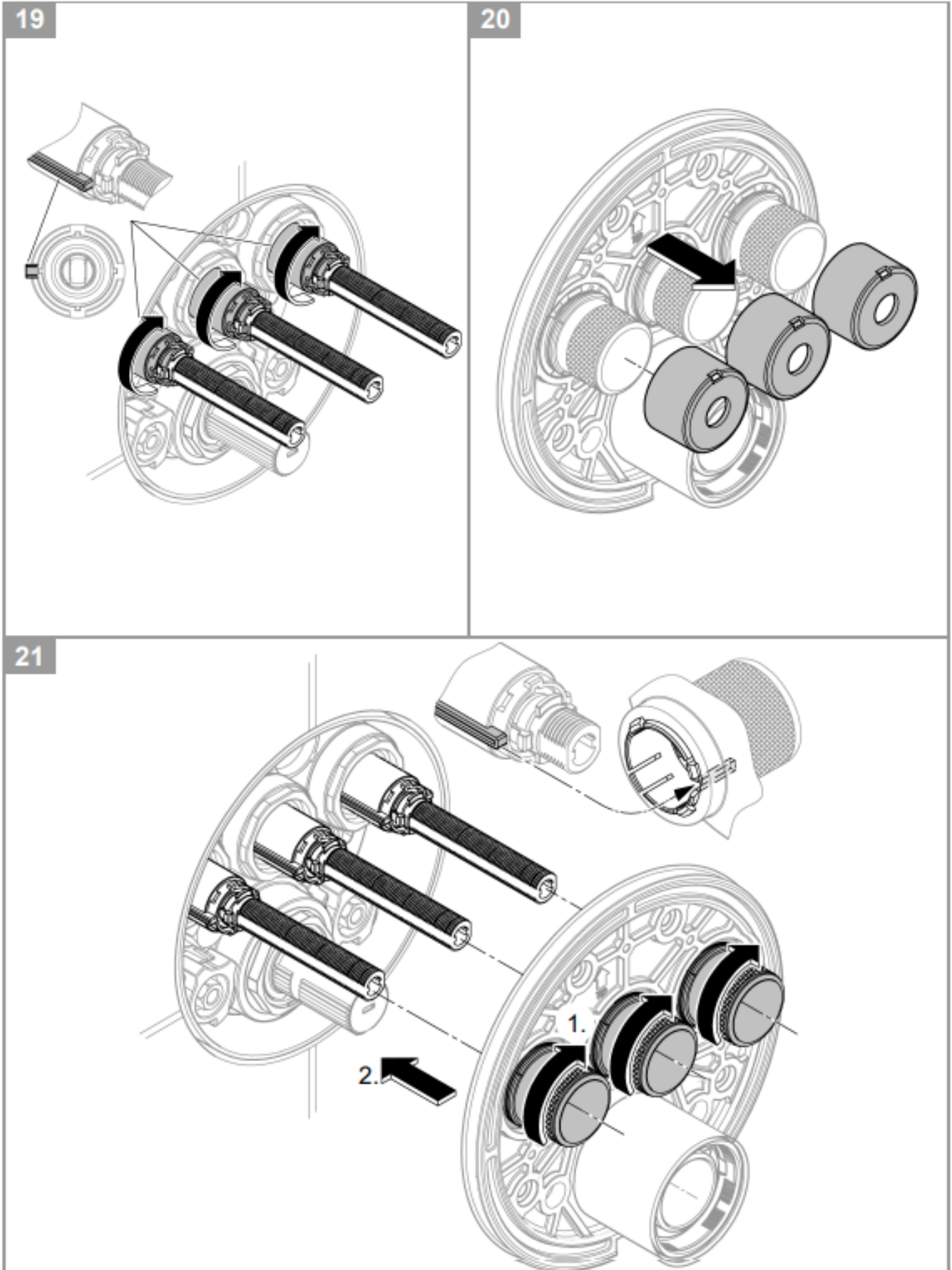
17



18

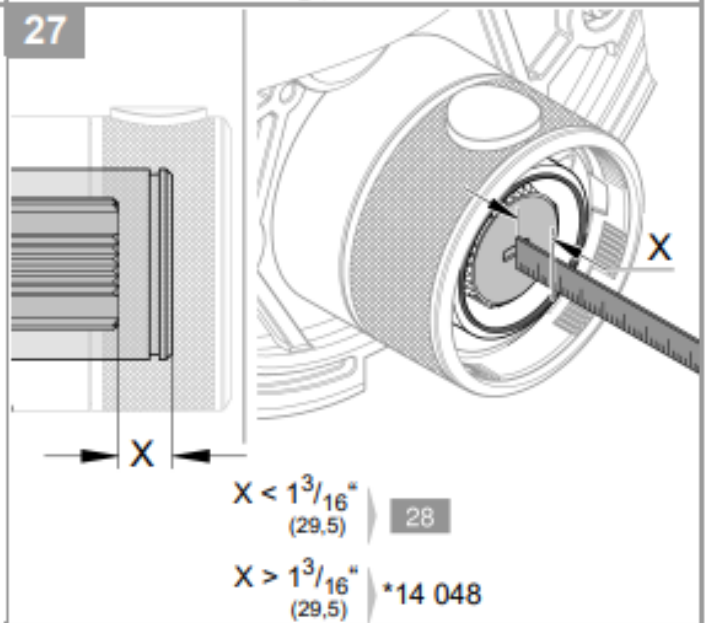
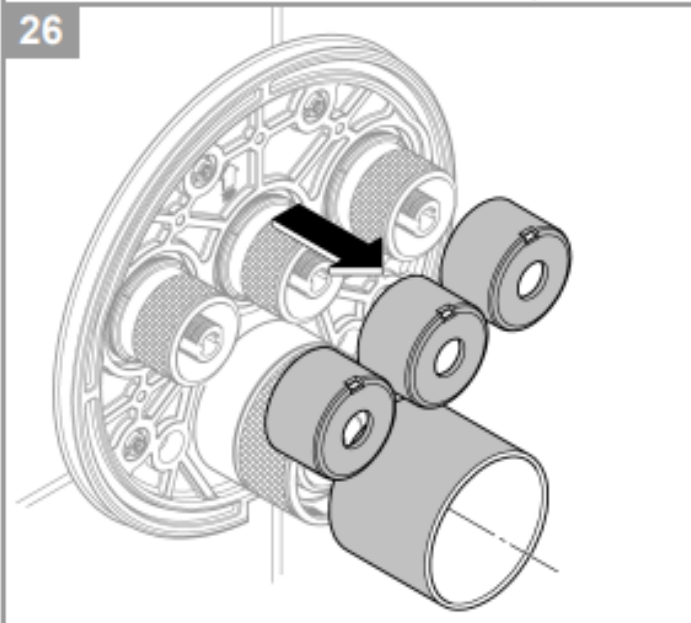
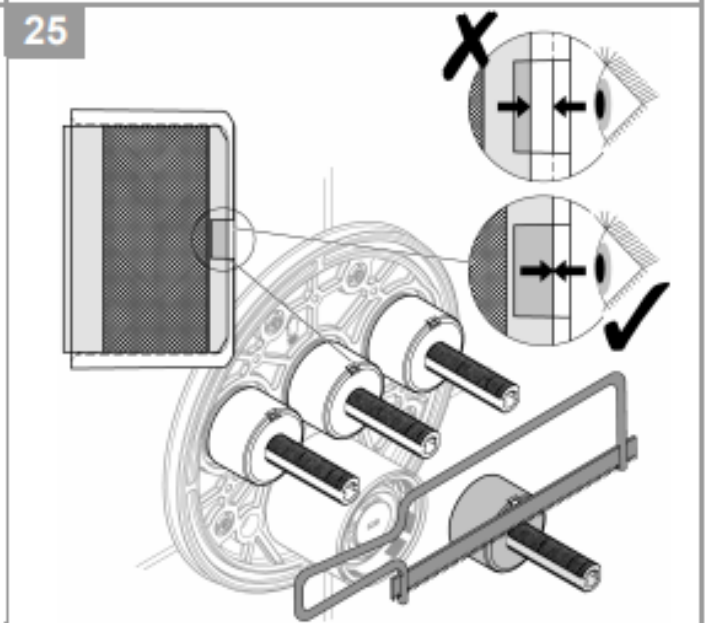
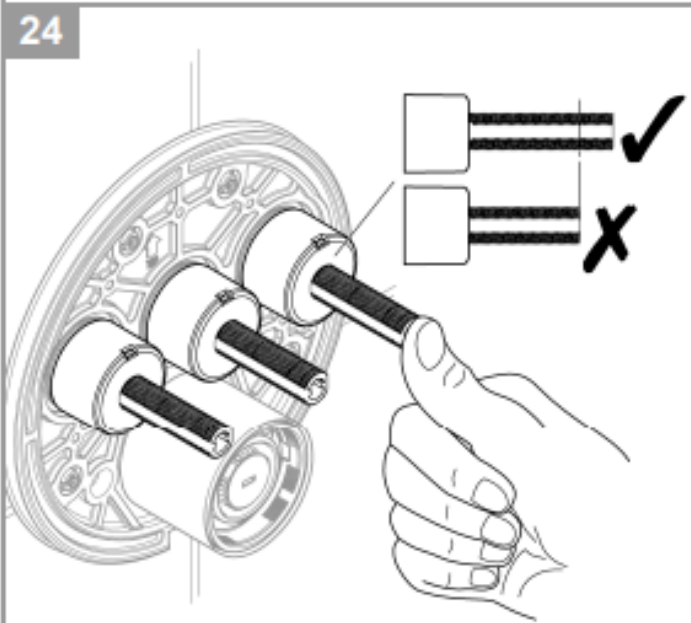
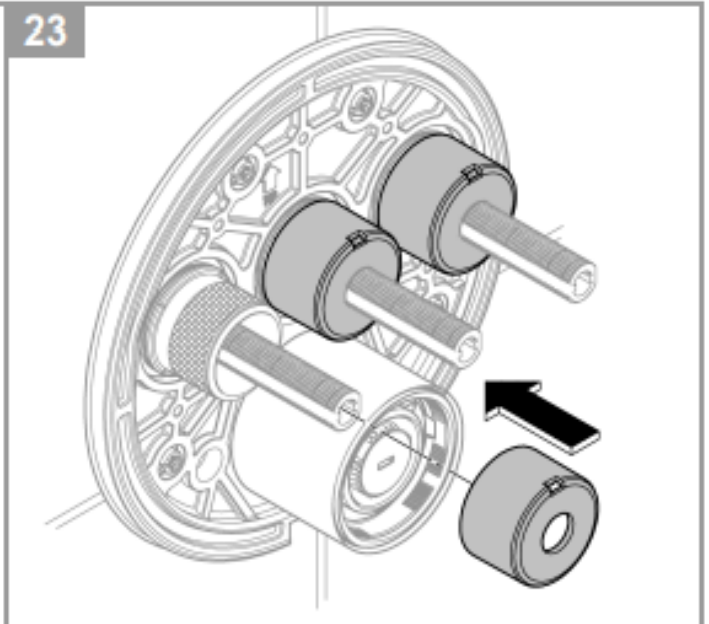
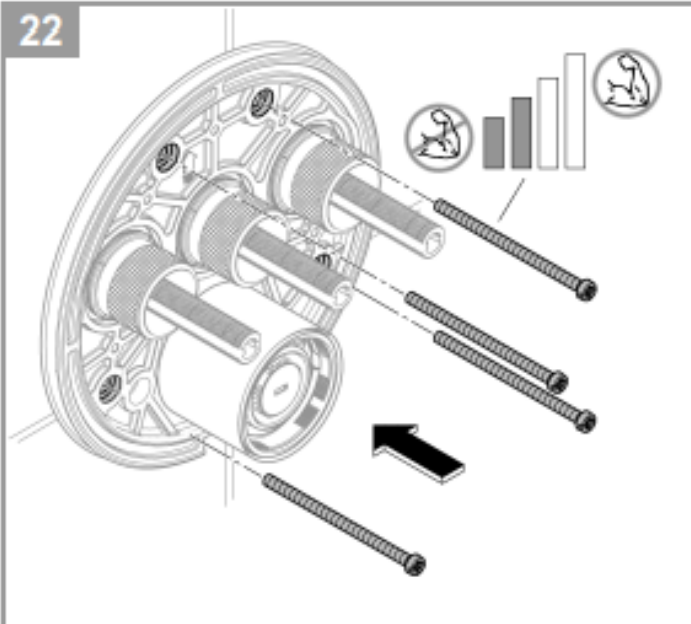


Installation Instructions





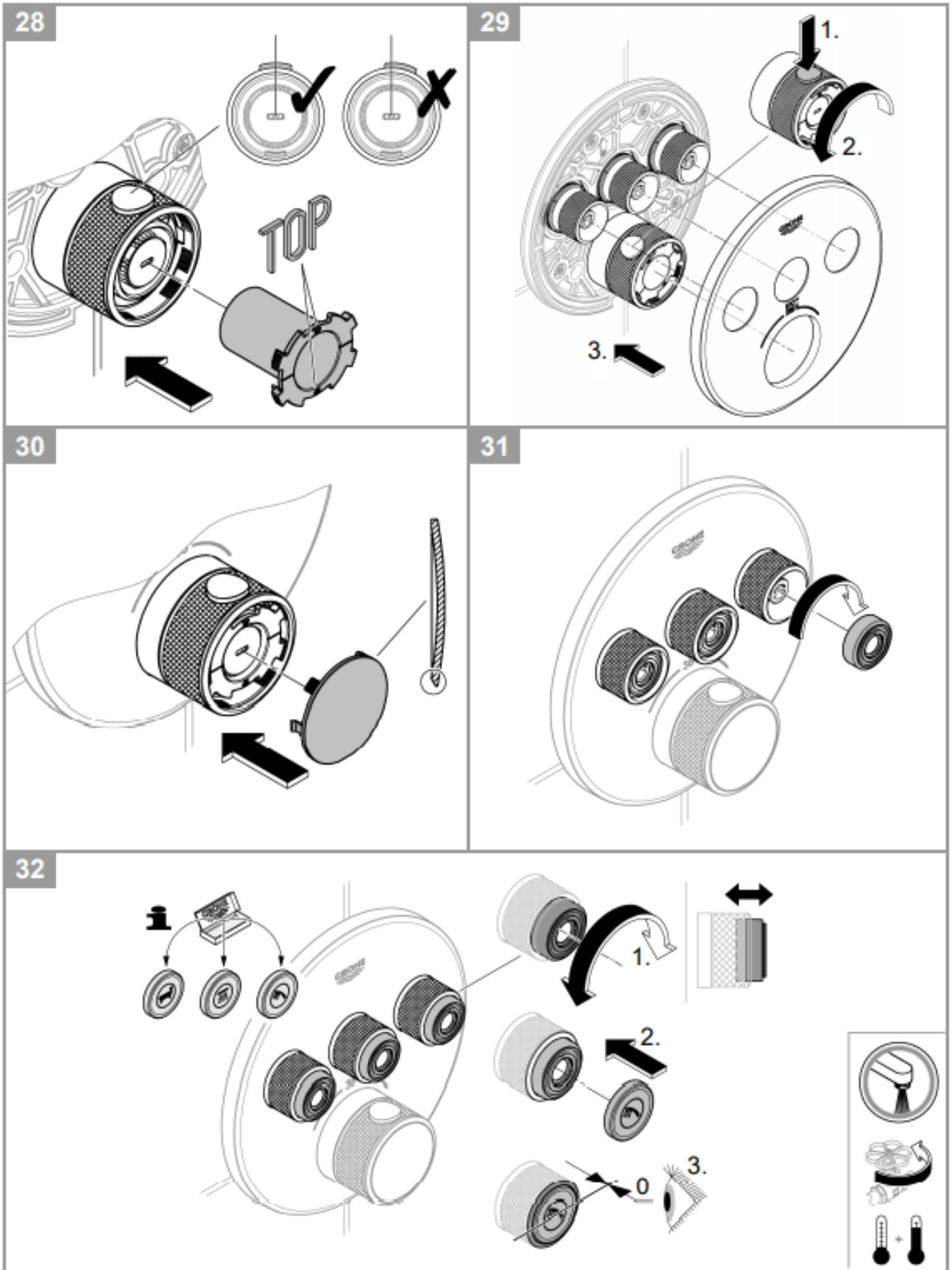
Installation Instructions







Installation Instructions



## Installation Instructions

### Safety information



#### Avoiding scalding

It is recommended that thermostatic devices able to limit the water temperature to 43 °C be installed at points of discharge with special attention to the outlet temperature (hospitals, schools, nursing and retirement homes). This product is equipped with a temperature end stop. It is generally recommended that the temperature of shower systems not exceed 38 °C in nurseries and specific areas in care homes. Use Grotherm Special thermostats with special handles for facilitating thermal disinfection and with an appropriate safety end stop. Applicable standards (e.g. EN 806-2) and technical regulations for potable water must be observed.

### Technical Data

• Dynamic Pressure Ratio	150:500 kPa
• Flow pressure	
- Minimum flow pressure without downstream resistances	50 kPa
- Minimum flow pressure with downstream resistances	100 kPa
- Recommended	150:500 kPa
• Minimum flow rate	5 l/min
• Temperature	
- Hot water supply	max. 70 °C
- Recommended for energy saving	60 °C
- Thermal disinfection possible	
- Safety stop	43 °C
• Hot water temperature at supply connection min. 2 °C higher than mixed water temperature	

Flow rates without downstream resistances, see page 1. **These should be observed when dimensioning the outlet!**

#### The following special accessories are available:

- Extension 25mm (prod. no.: 14 048)
- Isolating valves (prod. no.: 14 053)

Thermostat compact cartridge for exchanged water channels: Reversed connections, hot on right and cold on left, replace compact cartridge (prod. no.: 49 003)

### Installation

This product must be installed in conformance with local codes e.g. AS/NZS 3500 & AS 4032 series of standards!

- In order to flush, remove the plugs (Y), see page 2 Fig. [4].
- Open cold and hot water supply and check connections for watertightness!
- Alignment of functional unit by 6° possible.
- Measure valves, see page 5 Fig. [18]. For a dimension larger than 18mm, the enclosed extension must be used.

### Adjusting to 38 °C

- Before the mixer is put into service if the mixed water temperature measured at the point of discharge varies from the desired temperature set on the thermostat, see page 6 Fig. [20].
- Every time following maintenance on the thermostatic compact cartridge.

### Temperature limitation

The safety stop limits the temperature range to 38 °C. If a higher temperature is required, the 38 °C stop can be overridden by pressing the button.

### Danger of frost damage

When the domestic water system is drained, the thermostats must be drained separately since non-return valves are installed in the hot and cold water connections.

GROTHERM SMARTCONTROL  
3 BUTTON CONTROL THERMOSTATIC MIXING VALVE  
MODEL #29138GN0

*Pure Freude  
an Wasser*



## Installation Instructions

This thermostat is suitable for use with high pressure water applications. Using this product in conjunction with gravity-fed water heaters, low and unequal pressure supply systems, tempering valves & thermostatic mixing valves may result in unsatisfactory performance.

### **Suitable for High Pressure applications 150kPa – 500kPa**

Care must be taken by the installing tradesperson to ensure connecting threads do not damage the flow controller when installing this product.

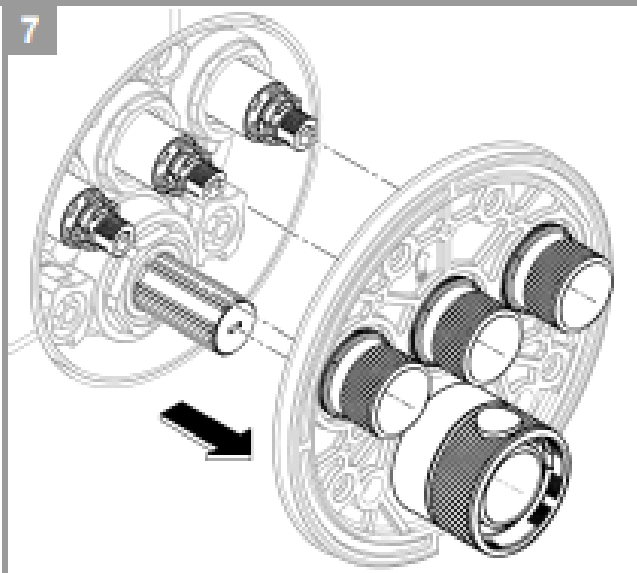
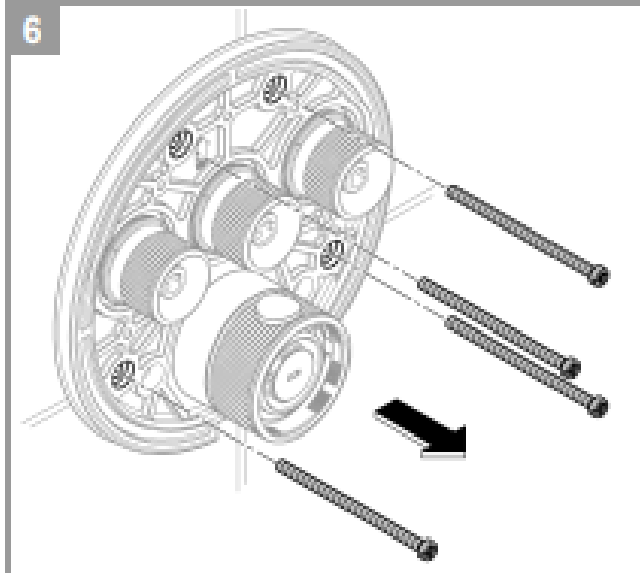
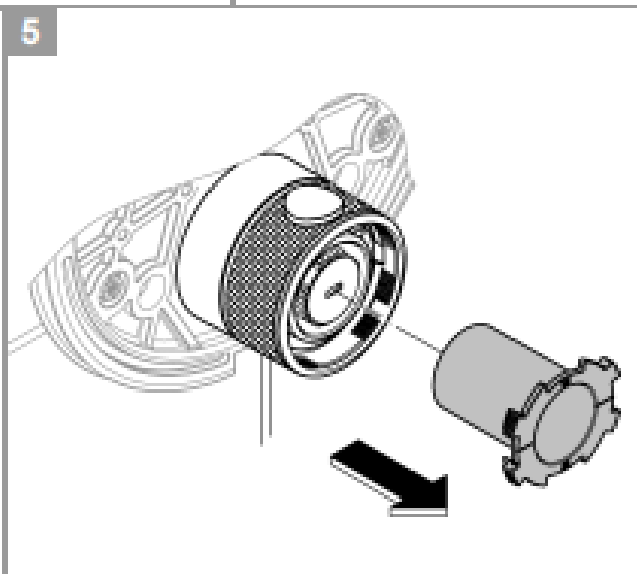
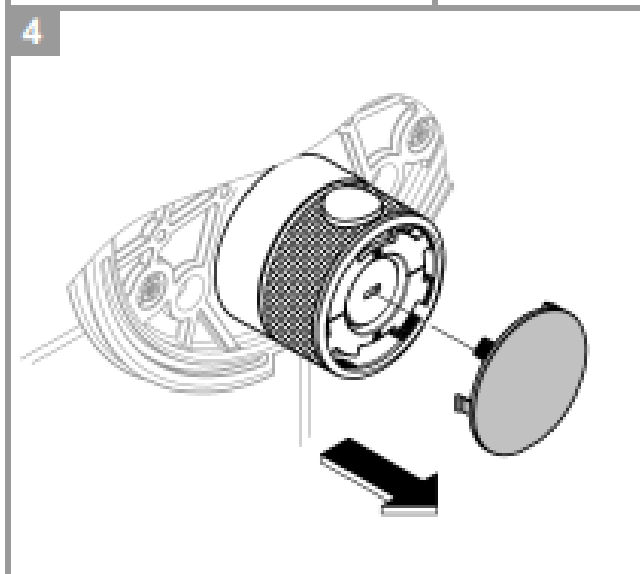
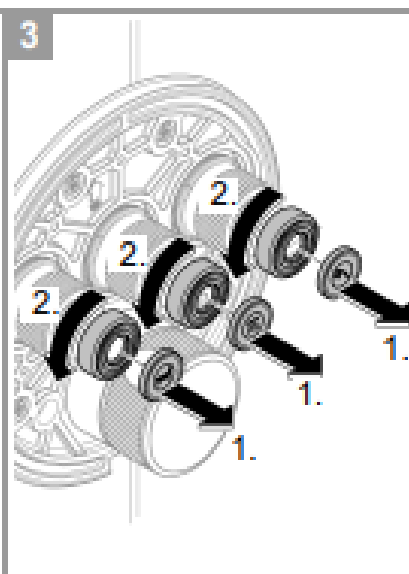
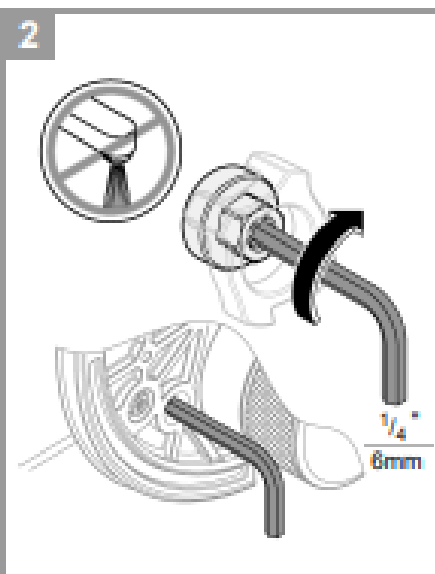
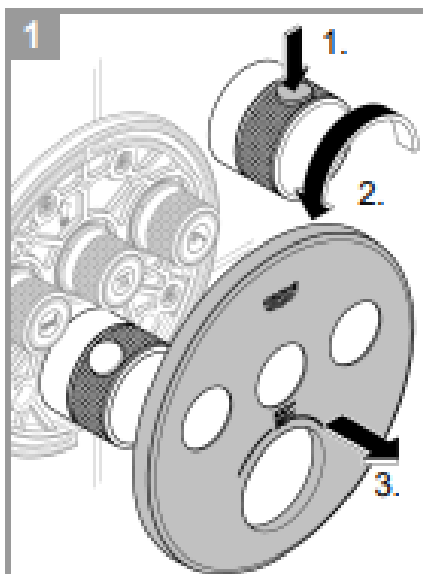
The installation tradesperson must ensure they install this product in accordance with AS/NZS 3500 and all other relating AS/NZS regulations that apply to the installation of this product.

### **Maximum static pressure of 500kPa.**

For applications where 500kPa static pressure is exceeded, a suitably certified pressure limiting valve must be installed to prevent high pressure damaging this product.

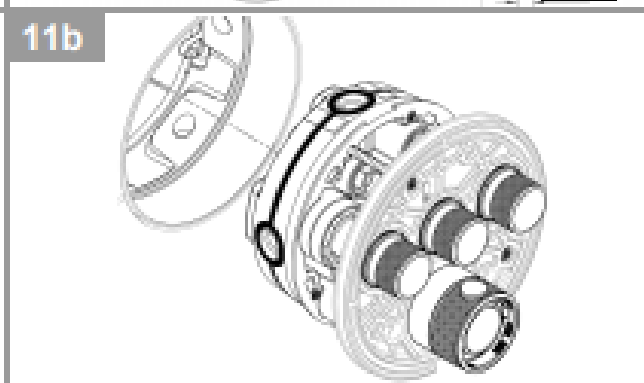
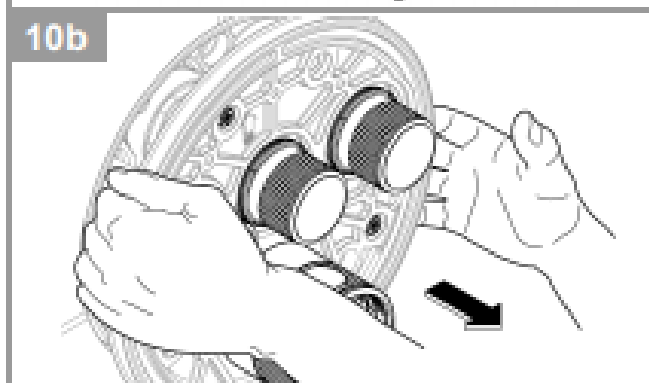
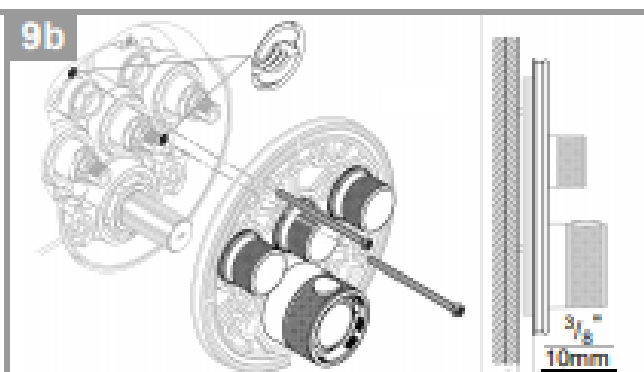
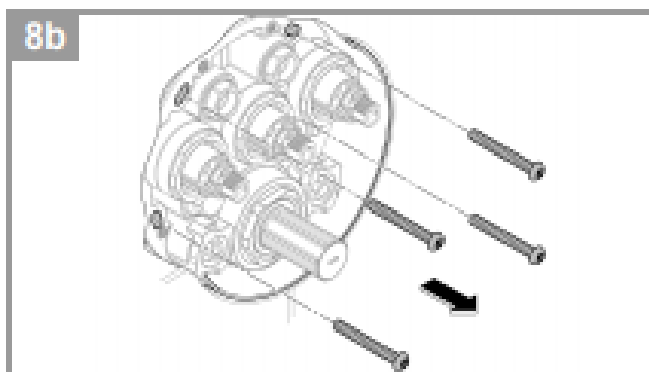
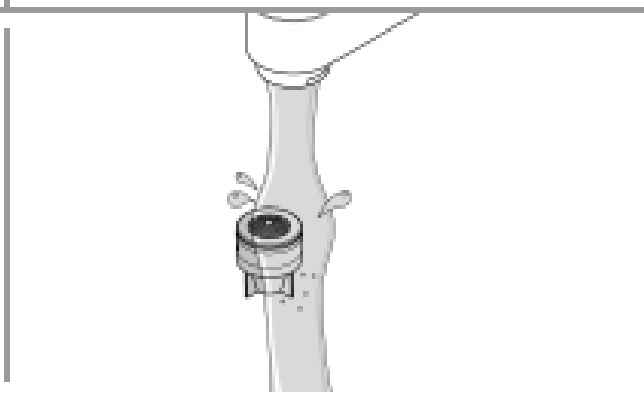
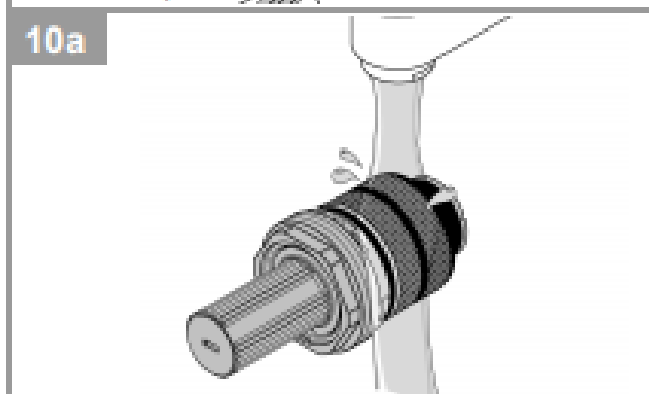
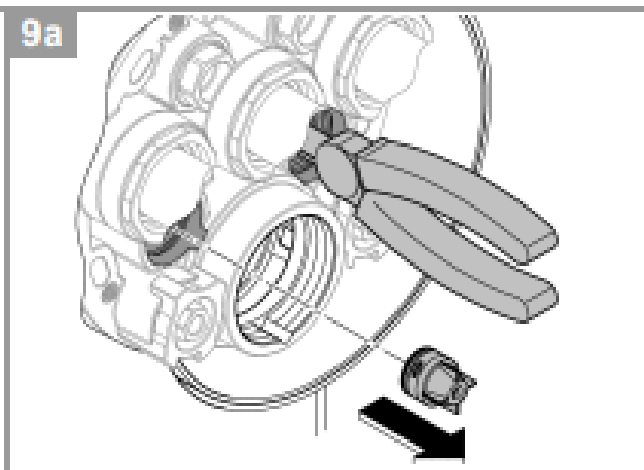
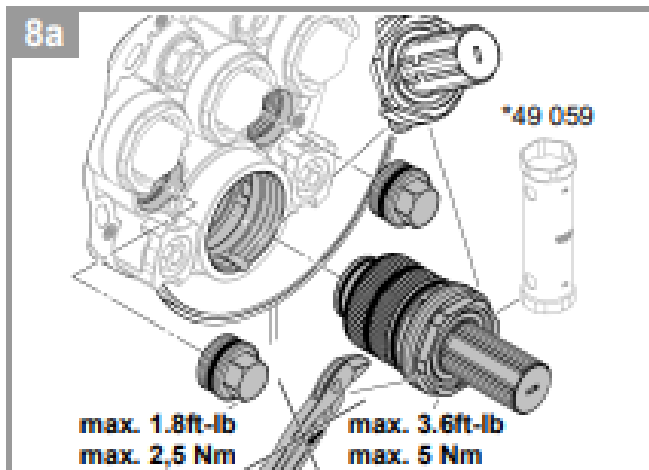
All servicing and maintenance must be carried out with accordance to AS/NZS3500 and AS4032 standards.

Servicing Instructions



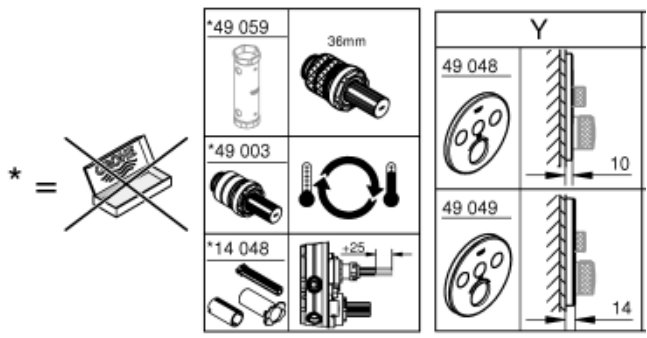
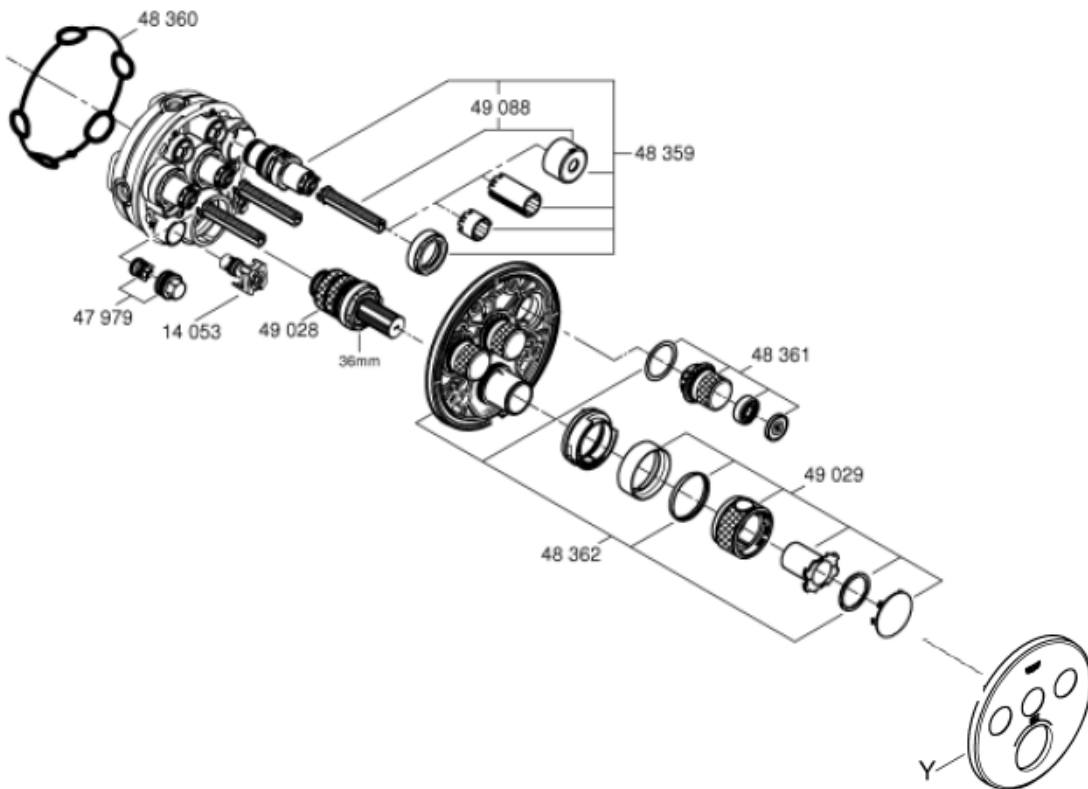


Servicing Instructions



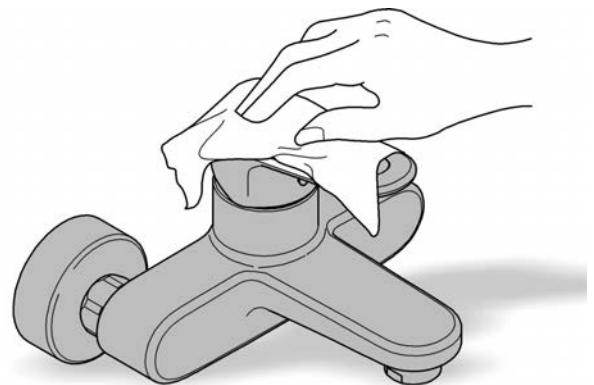
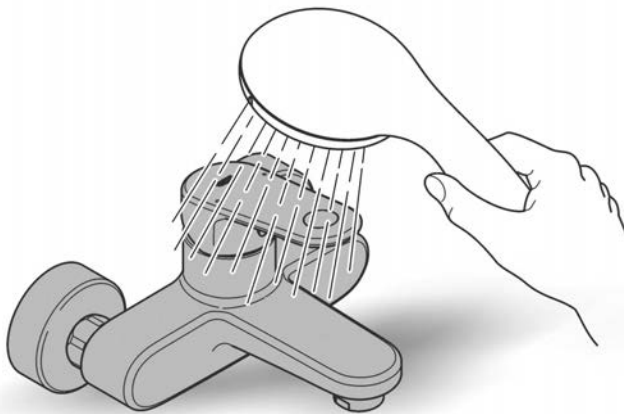
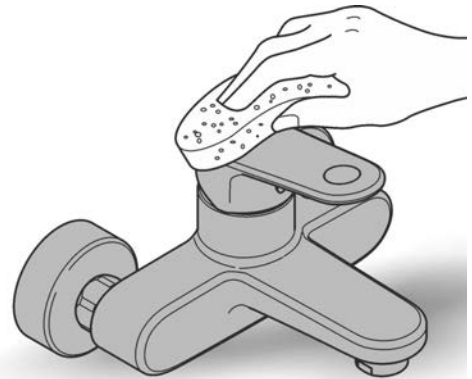
GROTHERM SMARTCONTROL  
 3 BUTTON CONTROL THERMOSTATIC MIXING VALVE  
 MODEL #29138GN0

Pure Freude  
 an Wasser

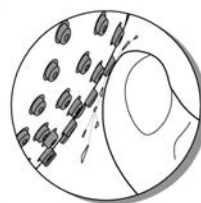




48166000



SpeedClean



Pure Freude  
an Wasser

**GROHE**  


**D**

+49 571 3989 333  
impressum@grohe.de

**A**

+43 1 68060  
info-at@grohe.com

**AUS**

+1300 054 945  
grohe\_australia@lixil.com

**B**

+32 16 230660  
info.be@grohe.com

**BG**

+359 2 9719959  
grohe-bulgaria@grohe.com

**CAU**

+99 412 497 09 74  
info-az@grohe.com

**CDN**

+1 888 6447643  
info@grohe.ca

**CH**

+41 448777300  
info@grohe.ch

**CN**

+86 21 63758878

**CY**

+357 22 465200  
info@grome.com

**CZ**

+420 277 004 190  
grohe-cz@grohe.com

**DK**

+45 44 656800  
grohe@grohe.dk

**E**

+34 93 3368850  
grohe@grohe.es

**EST**

+372 6616354  
grohe@grohe.ee

**F**

+33 1 49972900  
marketing-fr@grohe.com

**FIN**

+358 10 8201100  
teknocalor@teknocalor.fi

**GB**

+44 871 200 3414  
info-uk@grohe.com

**GR**

+30 210 2712908  
nsapountzis@ath.forthnet.gr

**H**

+36 1 2388045  
info-hu@grohe.com

**HK**

+852 2969 7067  
info@grohe.hk

**I**

+39 2 959401  
info-it@grohe.com

**IND**

+91 124 4933000  
customercare.in@grohe.com

**IS**

+354 515 4000  
jonst@byko.is

**J**

+81 3 32989730  
info@grohe.co.jp

**KZ**

+7 727 311 07 39  
info-cac@grohe.com

**LT**

+372 6616354  
grohe@grohe.ee

**LV**

+372 6616354  
grohe@grohe.ee

**MAL**

+1 800 80 6570  
info-singapore@grohe.com

**N**

+47 22 072070  
grohe@grohe.no

**NL**

+31 79 3680133  
vragen-nl@grohe.com

**NZ**

+09 573 0490  
sales@robertson.co.nz

**P**

+351 234 529620  
commercial-pt@grohe.com

**PL**

+48 22 5432640  
biuro@grohe.com.pl

**RI**

+62 21 2358 4751  
info-singapore@grohe.com

**RO**

+40 21 2125050  
info-ro@grohe.com

**ROK**

+82 2 559 0790  
info-singapore@grohe.com

**RP**

+63 2 8041617

**RUS**

+7 495 9819510  
info@grohe.ru

**S**

+46 771 141314  
grohe@grohe.se

**SGP**

+65 6 7385585  
info-singapore@grohe.com

**SK**

+420 277 004 190  
grohe-cz@grohe.com

**T**

+66 2610 3685  
info-singapore@grohe.com

**TR**

+90 216 441 23 70  
GroheTurkey@grome.com

**UA**

+38 44 5375273  
info-ua@grohe.com

**USA**

+1 800 4447643  
us-customerservice@grohe.com

**VN**

+84 8 5413 6840  
info-singapore@grohe.com

**AL** **BIH** **HR** **KS**

**ME** **MK** **SLO** **SRB**

+385 1 2911470  
adria-hr@grohe.com

**Eastern Mediterranean,  
Middle East - Africa  
Area Sales Office:**

+357 22 465200  
info@grome.com

**IR** **OM** **UAE** **YEM**

+971 4 3318070  
grohedubai@grome.com

**Far East Area Sales Office:**

+65 6311 3600  
info@grohe.com.sg