

# ARCO

## BALL VALVE - WATER

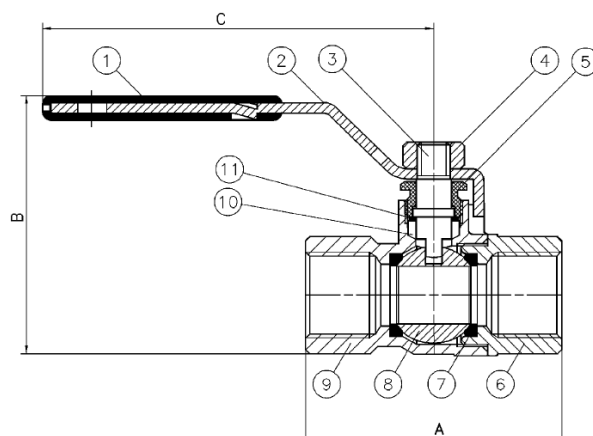
### SPECIFICATIONS

<b>Recommended use</b>	In line isolation in a pipeline for both hot and cold water applications.  Must be operated in fully open or fully closed position
<b>Features</b>	Quarter Turn Operation Full Bore Hard Chromed Solid Ball 100% Tested PTFE Seats Both Ends
<b>Working Pressure</b>	3200 kPa on Cold Water
<b>Temperature Range</b>	-20oC to +90oC
<b>Warranty</b>	12 Months
<b>Standards</b>	Female threaded ends to AS/ISO 7.1 Series RP
<b>Watermark</b>	WMKA 00276 - WMTS 012



### PHYSICAL SPECIFICATIONS

<b>1 Cover</b>	Polyethylene
<b>2 Handle</b>	Stainless Steel
<b>3 Stem</b>	Brass
<b>4 Nut</b>	Stainless Steel
<b>5 Sealing Nut</b>	Chrome Plated Brass
<b>6 End Cap</b>	DR Brass
<b>7 Seat</b>	PTFE
<b>8 Ball</b>	Chrome Plated Brass
<b>9 Body</b>	DR Brass
<b>10 Sealing Gland</b>	PTFE
<b>11 Washer</b>	Brass



### SPECIFICATIONS

Product Code	Product Description	Size	A	B	C
		DN	mm	mm	mm
1003690	DURA ARCO BALL VALVE F&F WATER 15MM	15	60	59	93
1003691	DURA ARCO BALL VALVE F&F WATER 20MM	20	66	68	93
1003692	DURA ARCO BALL VALVE F&F WATER 25MM	25	80	83	112
1003693	DURA ARCO BALL VALVE F&F WATER 32MM	32	89	93	112
1003694	DURA ARCO BALL VALVE F&F WATER 40MM	40	108	105	154
1003695	DURA ARCO BALL VALVE F&F WATER 50MM	50	125	117	154