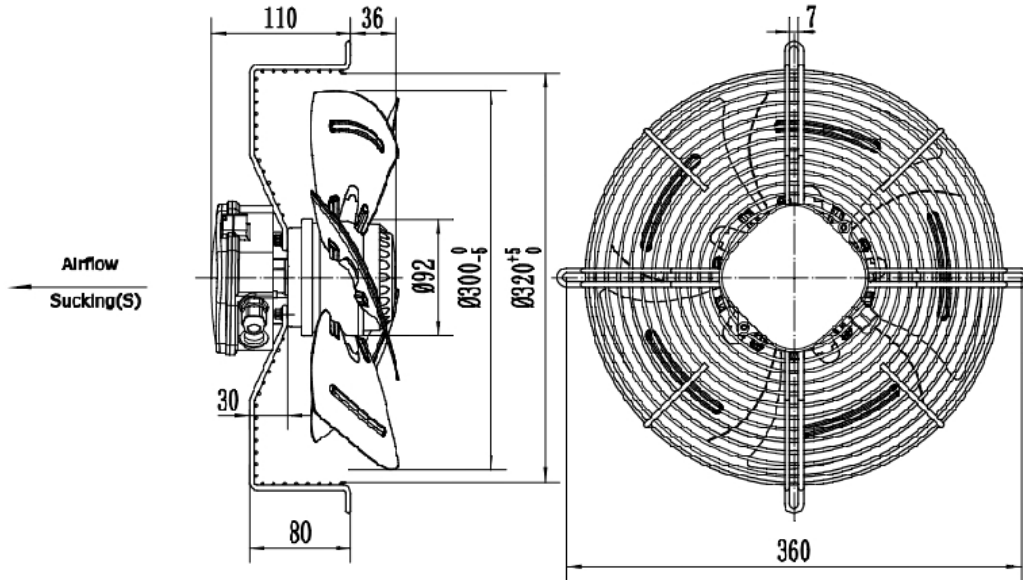
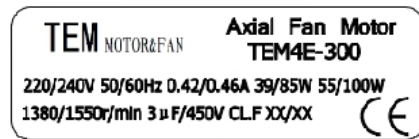


SPECIFICATION

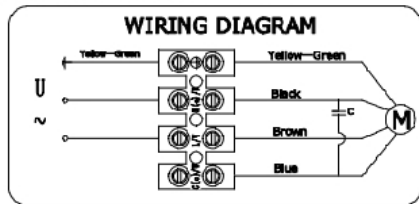


UNIT	Axial fan motor
MOTOR	Single phase motor with capacitor
MOTOR TYPE	TEM4E-300
VOLTAGE (V)	220/240
FREQUENCY (Hz)	50/60
INPUT POWER (W)	85/100
CURRENT (A)	0.42/0.46
SPEED (r/min)	1380/1550
AIR FLOW 20Pa (m ³ /h)	1504/1800
NOISE (dBA)	60/61
CAPACITOR (μF/450V)	3
ROTATION	CW ,looking into the end-shield
INSULATION CLASS	F
MOTOR PROTECTION	Thermocontact 150±5°C
TEMPERATURE RISE	75K max
TYPE OF PROTECTION	IP54
OPERATING TYPE	S1
AMBIENT TEMPERATURE	-30°C +60°C
BEARINGS	Ball bearings
MOUNTING TYPE	Horizontal or Vertical
ELECTRICAL CONNECTION	Lead wire Silicon 4G 0.50mm ² ,Length 100mm in terminal box connected (4芯0.5mm ² 线长100mm)
APPROVALS	CE
NET WEIGHT/GROSS WEIGHT	3.0/4.0kg
PACKING	34*34*18cm

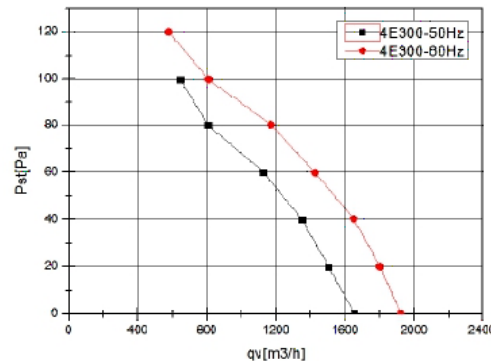
LABEL :



WIRING DIAGRAM :



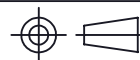
FLOW RATE CURVE :



No.	Ind	Modification	Date	Drawn	Checked	Approved



Model	TEM4E300	Drawn	rudy
Description	Fan Motor	Checked	Ijat
Drawing No.		Approved	Sham
Date	11/08/2021	Index	-



TECUMSEH EURO-MALAYSIA SDN BHD